

CRYST RAMA



1958

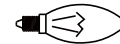
95 Cantiague Rock Road, Westbury NY 11590
 ph:516.931.9090 fax:516.931.1254
 info@crystorama.com . www.crystorama.com

MODEL#:281-SA ASSEMBLY AND DRESSING INSTRUCTIONS

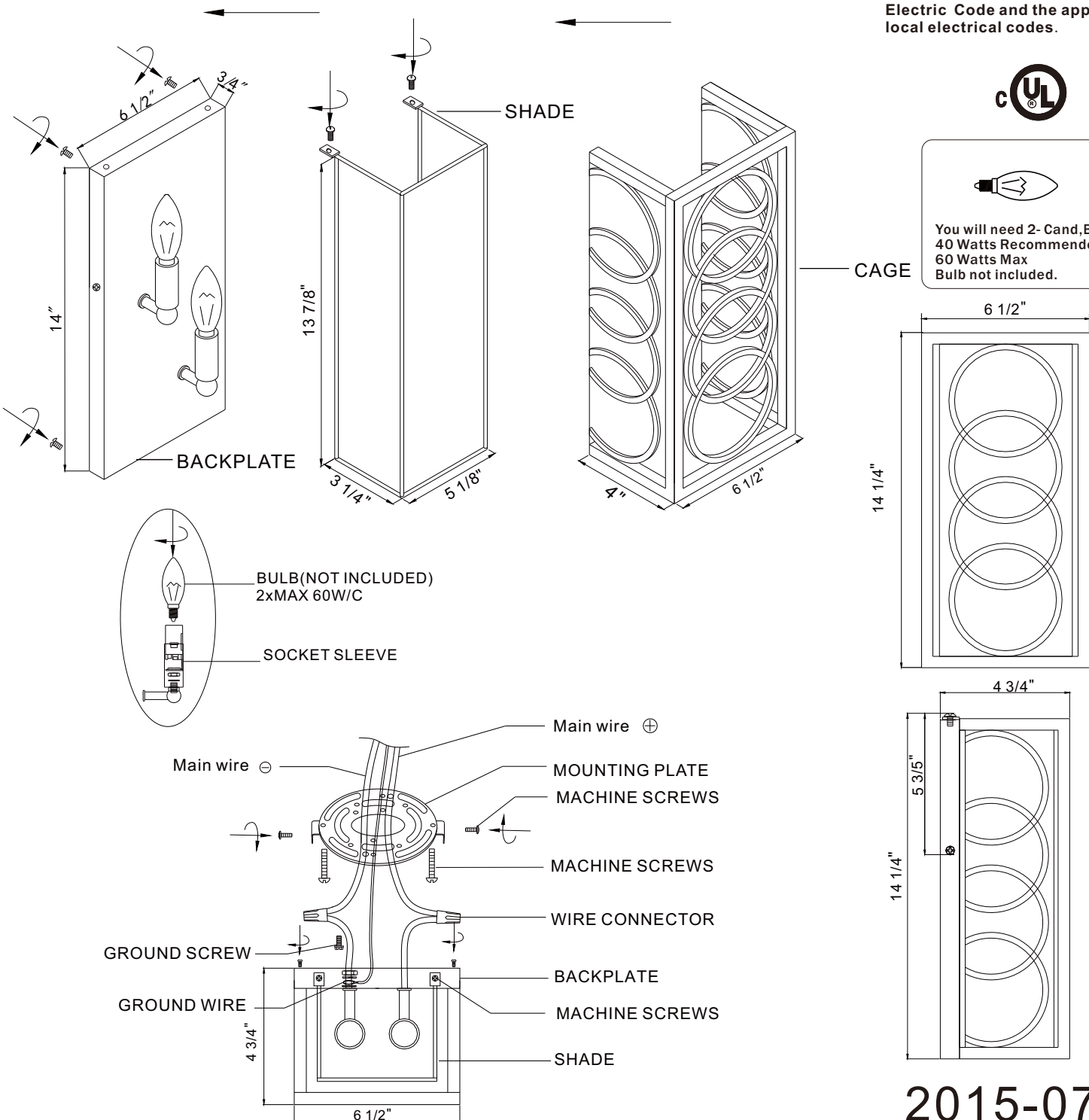
WARNING:

Electrical Danger Turn Power off

All electrical components must be installed by a licensed electrician in accordance with the National Electric Code and the appropriate local electrical codes.



You will need 2- Cand. Bulb
 40 Watts Recommended
 60 Watts Max
 Bulb not included.



2015-07