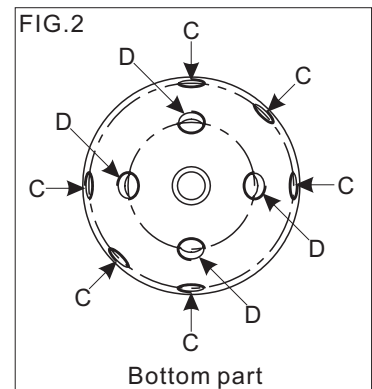
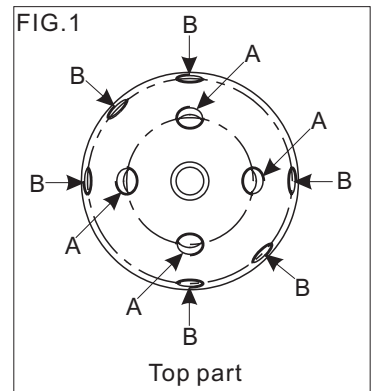
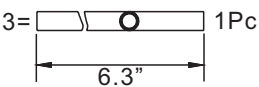
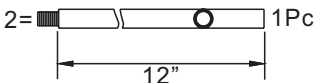
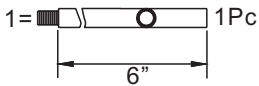
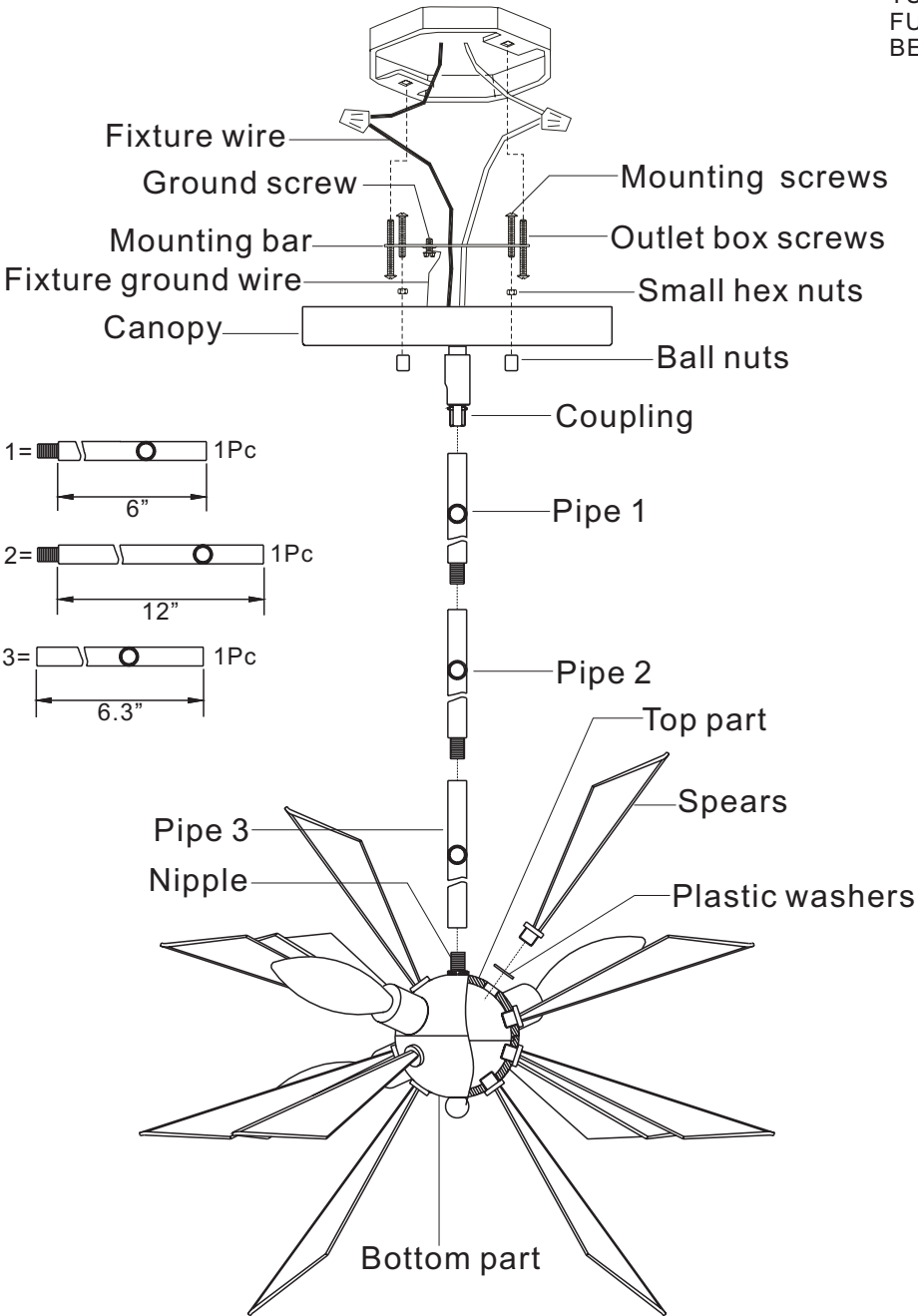


# CRYSTORAMA

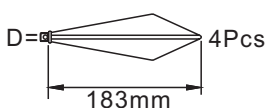
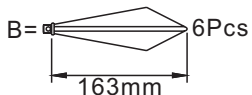
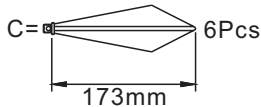
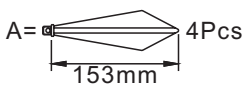
1958

95 Cantiague Rock Road, Westbury NY 11590  
 ph:516.931.9090 fax:516.931.1254  
 info@crystorama.com www.crystorama.com

## MODEL#: 1525-MC ASSEMBLY AND DRESSING INSTRUCTIONS



### SPEARS



### IMPORTANT

TURN OFF THE POWER AT THE MAIN FUSE OR CIRCUIT BREAKER BOX BEFORE STARTING INSTALLATION

You will need 4-Cand. BULB  
 40 watts Recommended  
 60 watts Max  
 Bulb not included

**INSTALL SPEARS**  
 Install the top part according to the fig. 1.  
 Install the bottom part according to the fig. 2.