

CRYST RAMA



1958

95 Cantiague Rock Road, Westbury NY 11590
 ph:516.931.9090 fax: 516. 931.1254
 info@crystorama.com www.crystorama.com

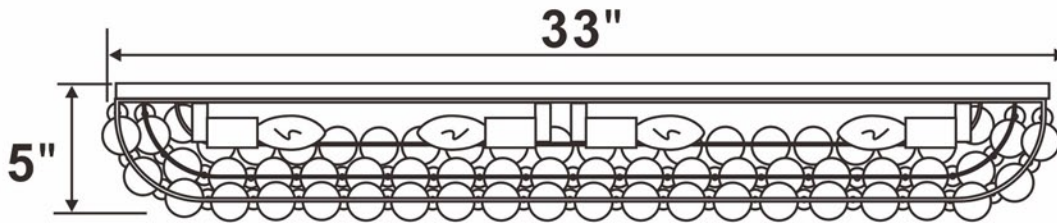
MODEL#:134 ASSEMBLY AND DRESSING INSTRUCTIONS



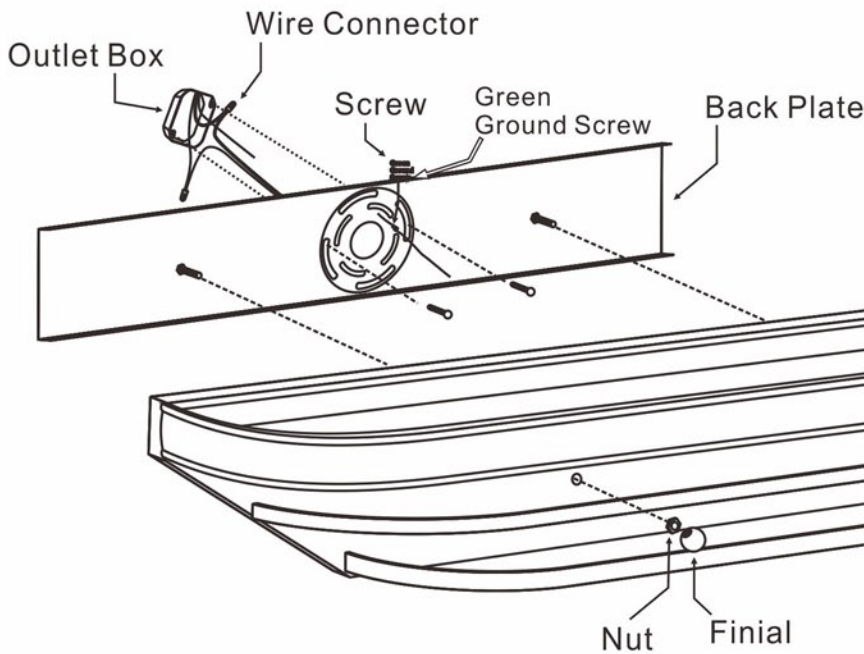
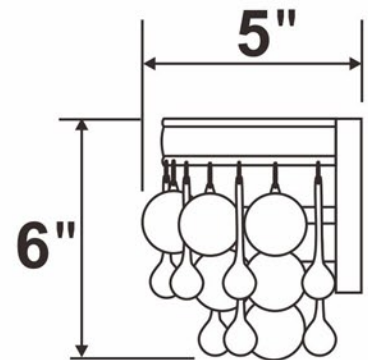
WARNING:
 All electrical components must be installed by a licensed electrician in accordance with the National Electric Code and the appropriate local electrical codes.



Top View



Side View



A= 76mm * 37sets

B= 40mm * 54sets

