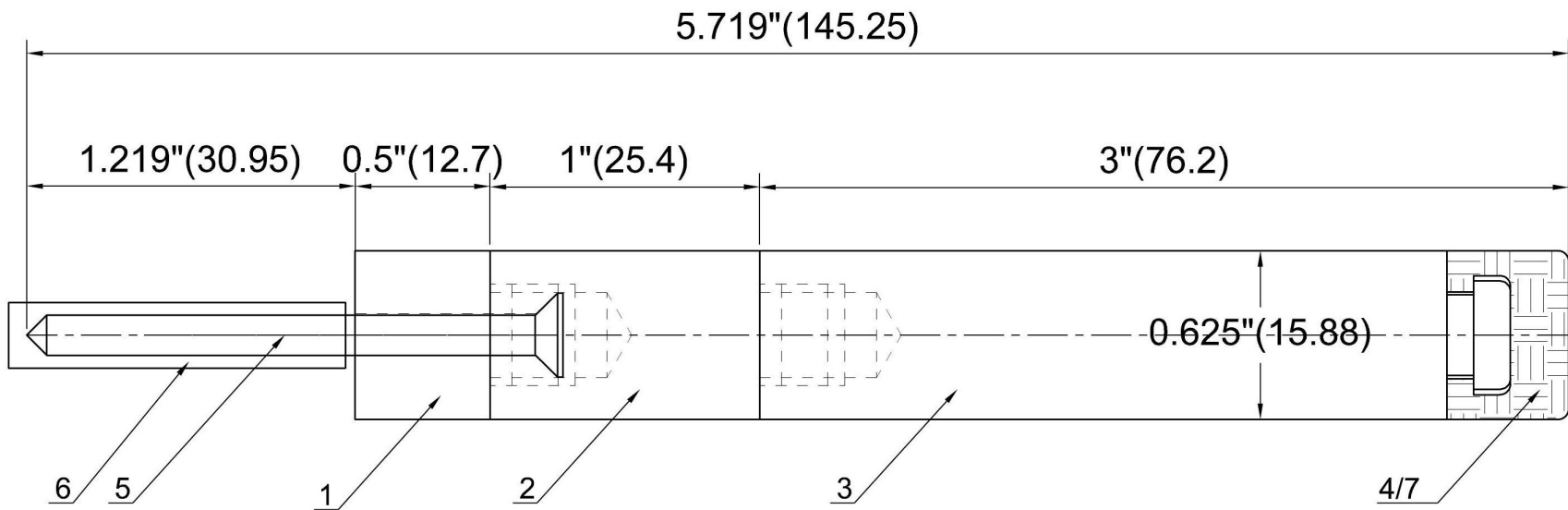


# INSTALLATION INSTRUCTION

## INSTRUCCIONES DE INSTALACION



Metric Millimeters in Parenthesis

7	Rubber		Black rubber	1	
6	Plastic Anchor		PE	1	
5	Wood Screw	M4×50	Q235A	1	
4	Rubber		Black rubber	1	
3	Wall bumper		Brass	1	
2	Riser blocks 1"		Brass	1	
1	Riser blocks 0.5"		Brass	1	
NO.	Title	Norms	Material	QTY	Notes



WS10

DWG#: WS10

MAT'L :

Rev. A

DATE : 19/10/17