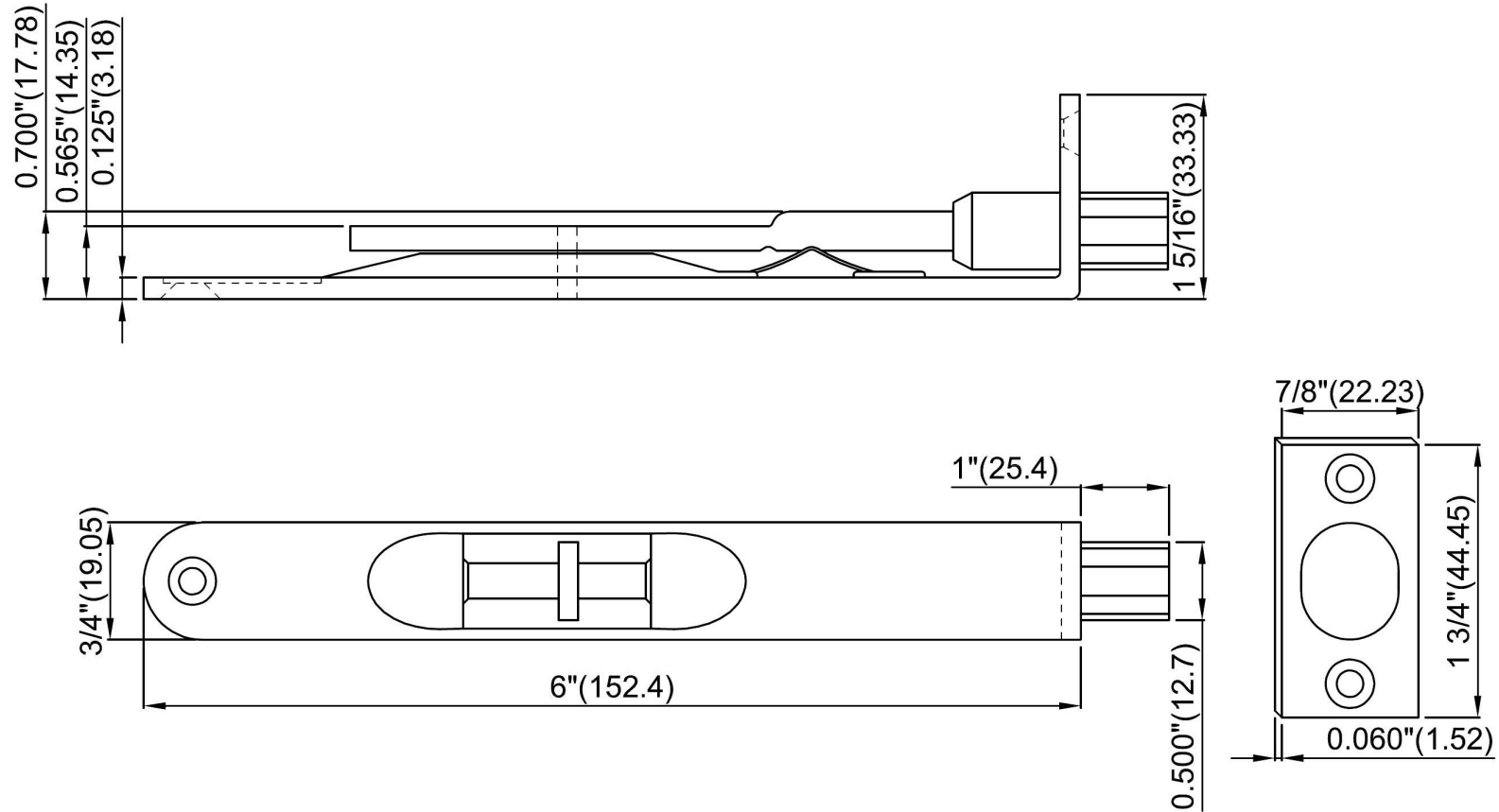


INSTALLATION INSTRUCTION

INSTRUCCIONES DE INSTALACION



Screw: FH6- $\frac{3}{4}$ " X 4
 Metric Millimeters in Parenthesis



FB2	
DWG# : FB2	Rev. A
MAT'L : BRASS	DATE : 19/10/16