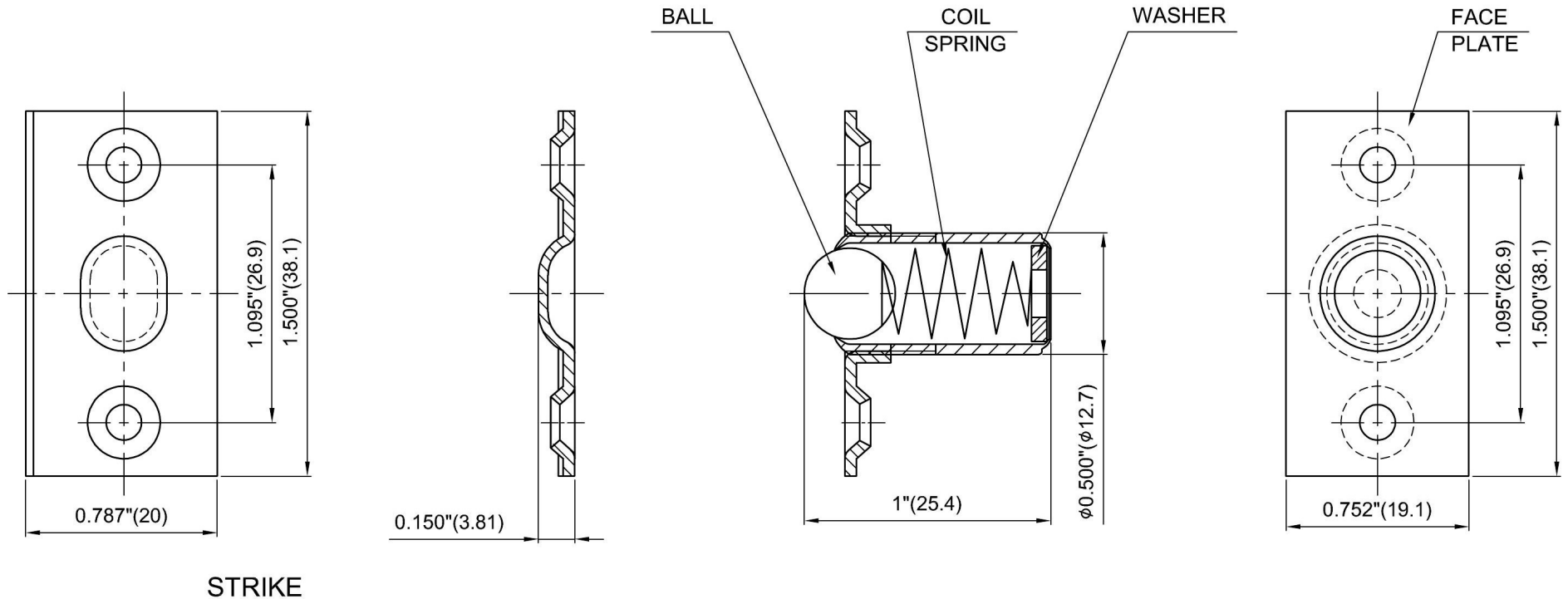


INSTALLATION INSTRUCTION

INSTRUCCIONES DE INSTALACION



Screw: 6#- $\frac{3}{4}$ " X4
 Metric Millimeters in Parenthesis



BC1	
DWG# : BC1	Rev. A
MAT'L : BRASS	DATE : 19/10/16