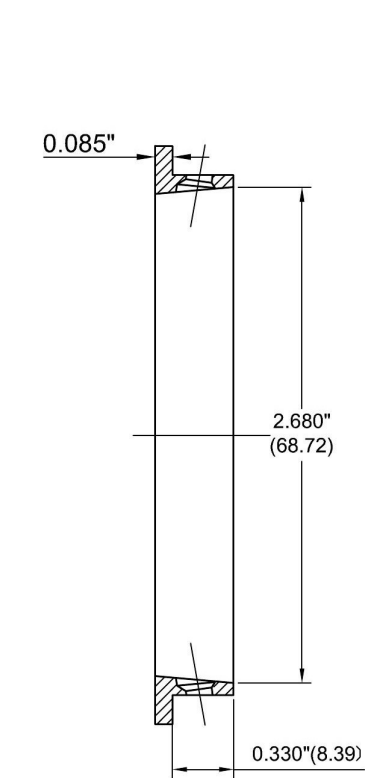
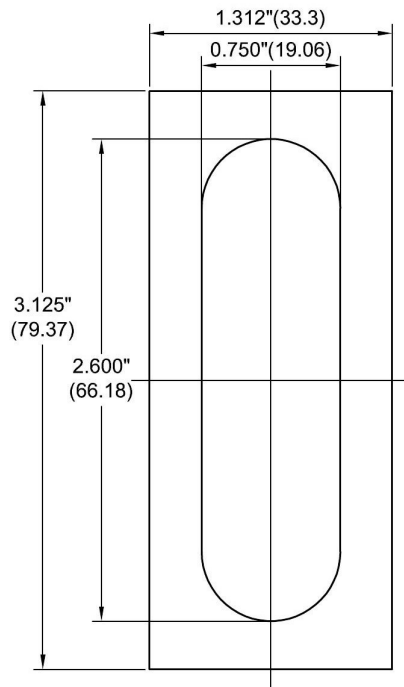
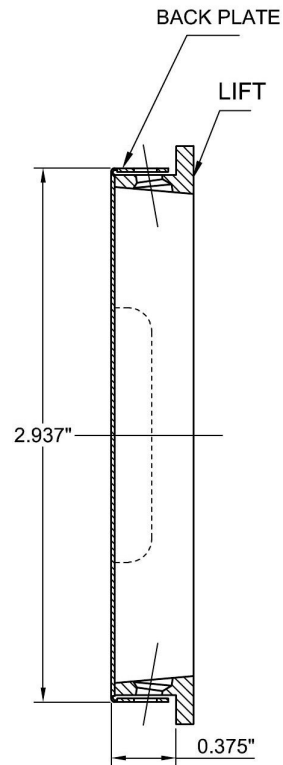


# INSTALLATION INSTRUCTION

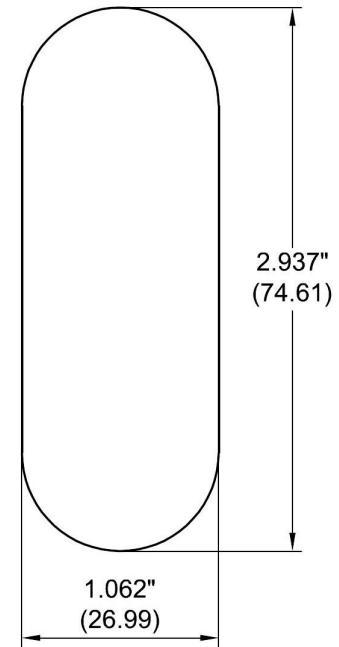
## INSTRUCCIONES DE INSTALACION



LIFT



ASSEMBLY



DEPTH IN DOOR HOLE  
DEPTH IN DOOR .375

Screw: 4#-24 X 2  
Metric Millimeters in Parenthesis



FP4 FLUSH PULL	
DWG# : FP4	Rev. A
MAT'L : BRASS	DATE : 5/10/12