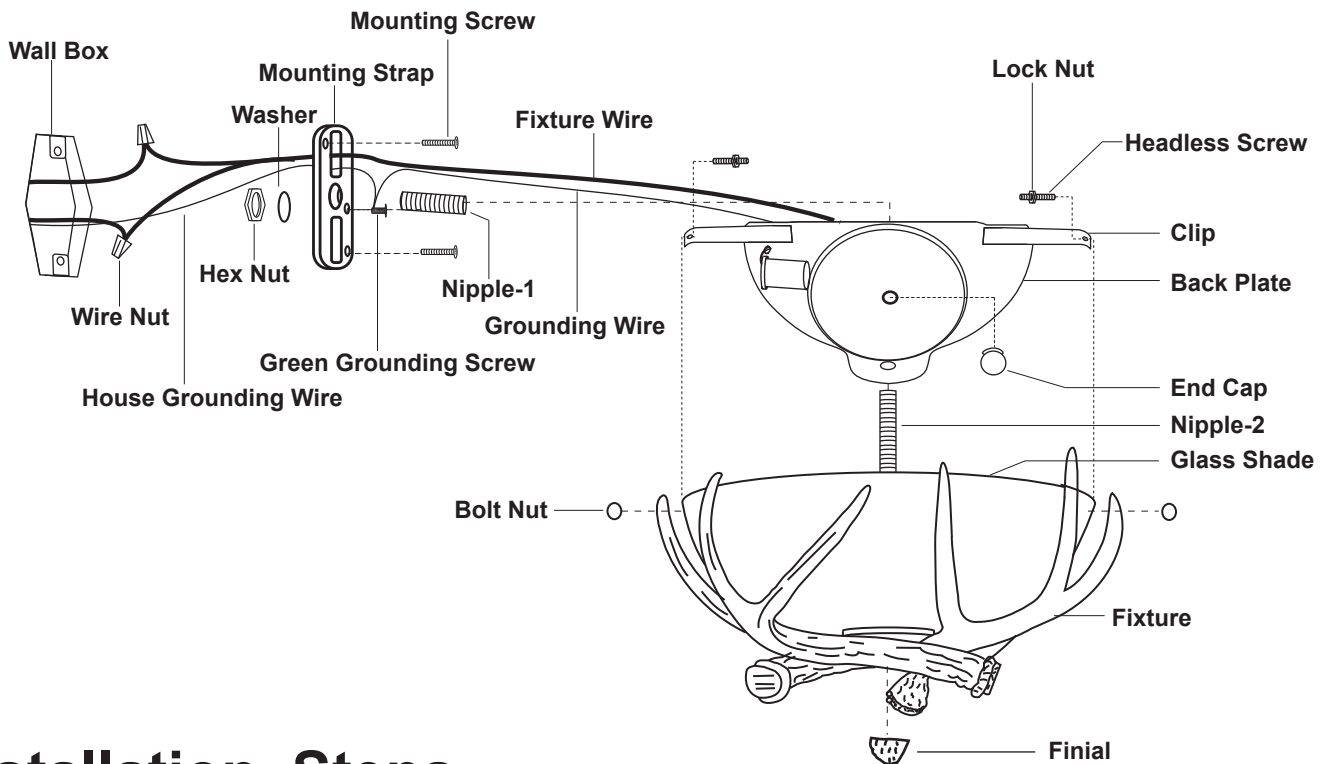


ASSEMBLY AND INSTALLATION INSTRUCTIONS

WS33054

WARNING: TO AVOID RISK OF ELECTRICAL SHOCK, BE SURE TO SHUT OFF POWER WHILE INSTALLING OR SERVICING THIS FIXTURE.

NOTE: Before installing, consult local electrical codes for wiring and grounding requirements.



Installation Steps

1. Attach the nipple-1 to the mounting strap, and then secure with a washer and a hex nut.
2. Attach the mounting strap to the wall box by using two mounting screws.
3. Make wire connections with wire nuts:
 - Connect the black wire from fixture to the black wire from power source.
 - Connect the white wire from fixture to the white wire from power source.
 - Attach the grounding wire and house grounding wire to the mounting strap with a green grounding screw.Tuck wires back into the wall box carefully.
4. Attach the back plate to the mounting strap by inserting the nipple-1, and secure with the end cap.
5. Screw the nipple-2 into the bottom of the back plate.
6. Attach the fixture upward to the back plate by inserting the nipple-2, make the holes of the glass to the holes of the clip in horizontal. Then insert the headless screws into the holes and secure with two bolt nuts. **(You can adjust the lock nuts which are secured on the headless screws.)**
7. Secure the finial upward to the nipple-2 tightly.
8. Install a bulb. **(Please do not exceed the maximum capacity which recommended on the package)**
9. Turn on the power at fuse or circuit box.