

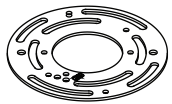
ASSEMBLY AND INSTALLATION INSTRUCTIONS

W0150

WARNING: TO AVOID RISK OF ELECTRICAL SHOCK, BE SURE TO SHUT OFF POWER WHILE INSTALLING OR SERVICING THIS FIXTURE.

NOTES: 1. Before installing, consult local electrical codes for wiring and grounding requirements.
2. READ AND SAVE THESE INSTRUCTIONS.

Hardware Package (included):



Mounting Plate (A)



Mounting Screw (B)



Green Grounding Screw (C)



Long Screw(D)



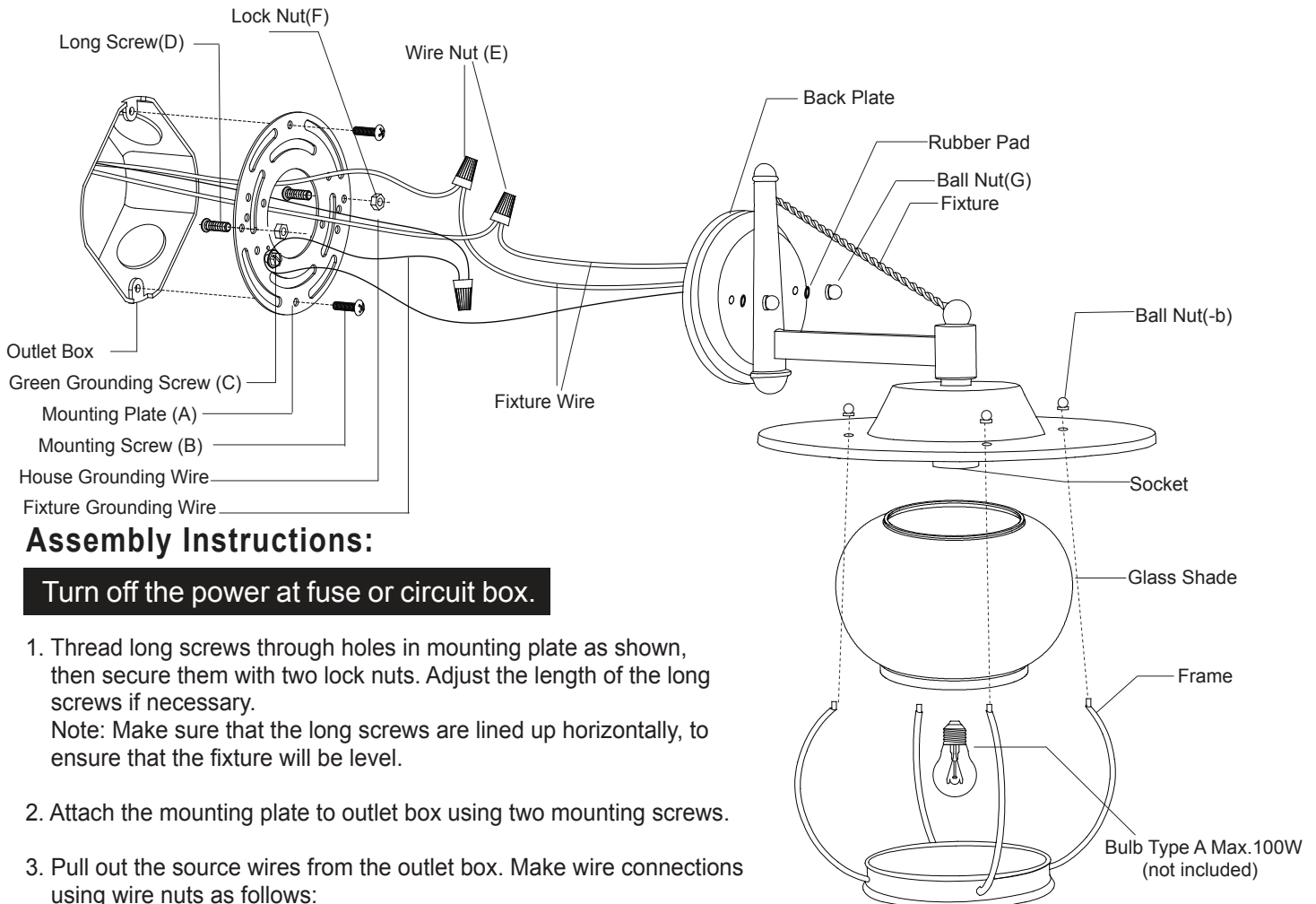
Wire Nut (E)



Lock Nut (F)



Ball Nut (G)



Assembly Instructions:

Turn off the power at fuse or circuit box.

1. Thread long screws through holes in mounting plate as shown, then secure them with two lock nuts. Adjust the length of the long screws if necessary.

Note: Make sure that the long screws are lined up horizontally, to ensure that the fixture will be level.

2. Attach the mounting plate to outlet box using two mounting screws.

3. Pull out the source wires from the outlet box. Make wire connections using wire nuts as follows:

---Connect the hot wire (usually black insulation) from the fixture to the black wire from the power source.

---Connect the neutral wire (usually white insulation) from the fixture to the white wire from the power source.

---Attach the fixture grounding wire (usually bare wire) to the mounting plate with the green grounding screw. Then connect it to the house grounding wire with a wire nut. If your outlet box does not have a house grounding wire, then wrap the fixture grounding wire around the green grounding screw.

Carefully tuck the wires back into the outlet box.

 **VAXCEL**

141119

4. Attach the back plate to the mounting plate: insert the long screws through the two holes, then secure it with two rubber pads and two ball nuts.

CAUTION: With silicone caulking compound, caulk completely around where the back plate meets with the wall surface to prevent water from seeping into the outlet box.

5. Attach the glass shade and frame onto the fixture, secure them with ball nuts.

6. Install bulb (not included). See relamping label at socket area or packaging for maximum allowed wattage.

Turn on the power at fuse or circuit box.

The following parts are available for re-order if damaged or missing.

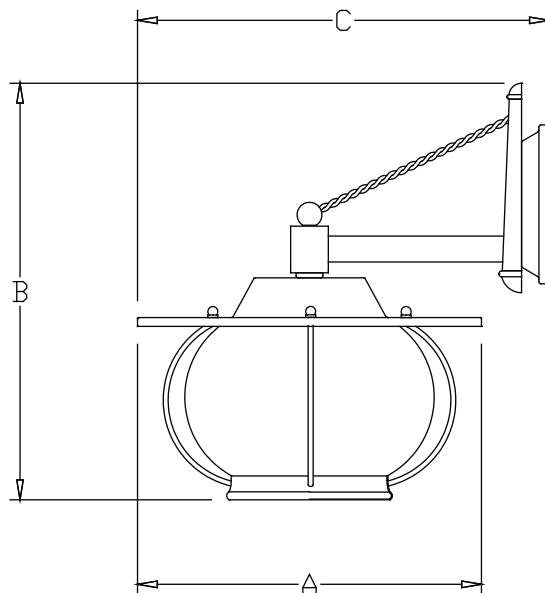
Spare Parts List:

The Spare Parts List diagram shows the following components and their assembly sequence:

- Mounting Plate (A)**: A circular plate with mounting holes.
- Mounting Screw (B)**: Two screws used to secure the mounting plate.
- Green Grounding Screw (C)**: A screw used for grounding.
- Long Screw (D)**: Two screws used to secure the back plate.
- Wire Nut (E)**: Three wire nuts used for electrical connections.
- Lock Nut (F)**: Two lock nuts used for electrical connections.
- Ball Nut (G)**: Two ball nuts used to secure the back plate.

The assembly sequence is as follows:

- The **Assembly Kit (5225MM) (1 SET)** is used to assemble the mounting plate and screws.
- The **Glass Shade (9679CS) (1 PC)** is attached to the fixture.
- The **Ball Nut (5229BB) (4 PCS)** is used to secure the glass shade.



A: 13-1/2"

B: 17"

C: 16-1/2"