

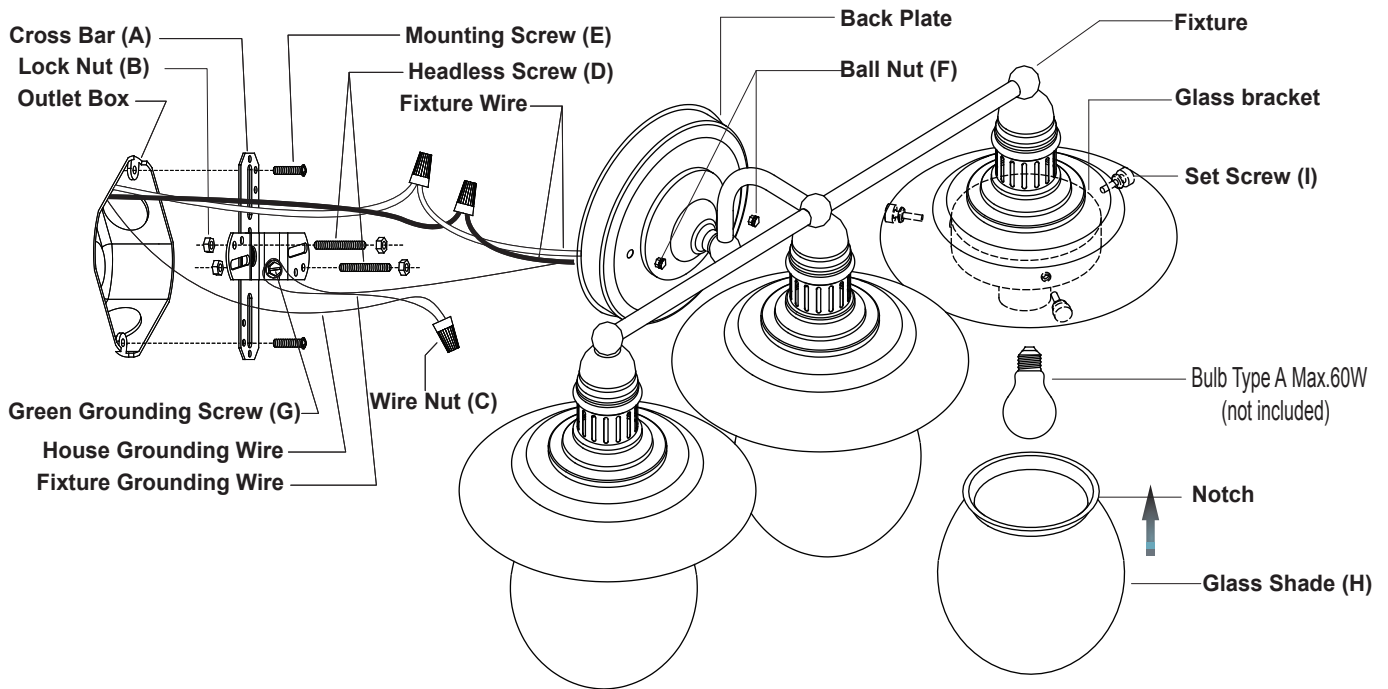
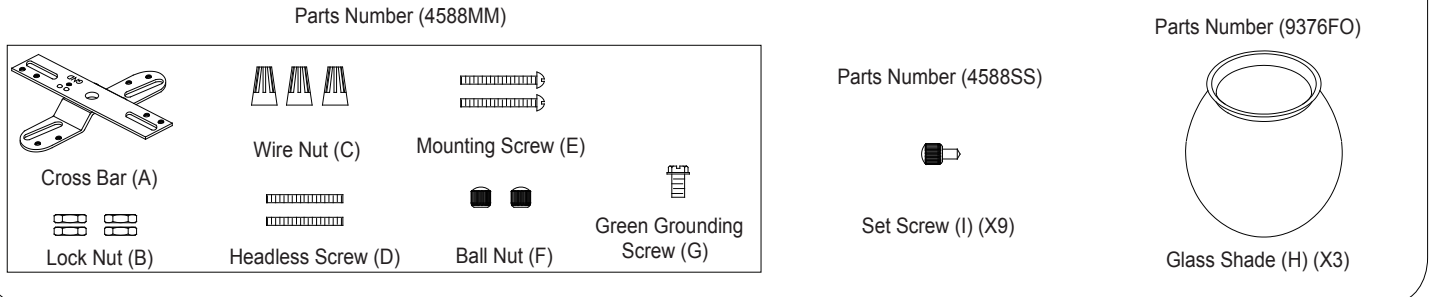
# ASSEMBLY AND INSTALLATION INSTRUCTIONS

W0052

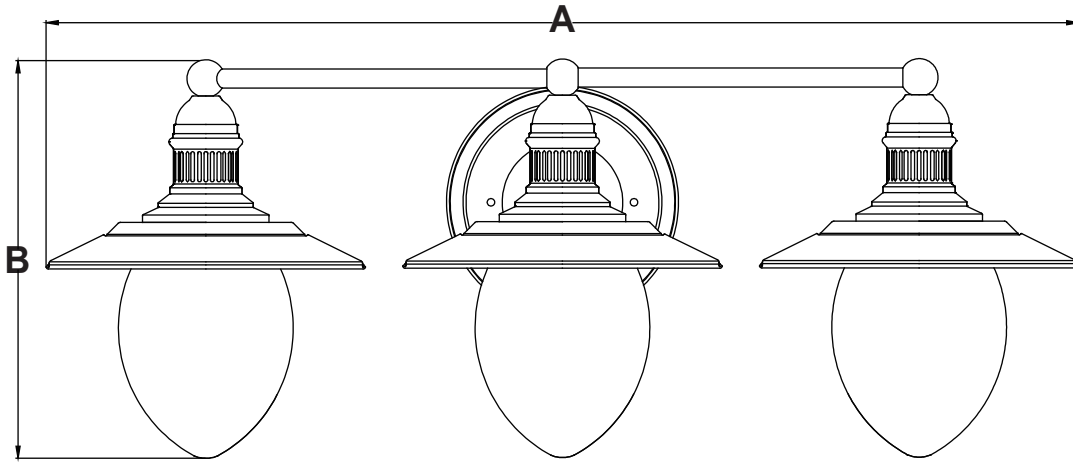
**WARNING: BE SURE TO SHUT OFF POWER AT THE MAIN FUSE OR CIRCUIT BREAKER BOX BEFORE INSTALLING OR SERVICING THIS FIXTURE.**

**NOTE: 1. Before installing, consult local electrical codes for wiring and grounding requirements.  
2. READ AND SAVE THESE INSTRUCTIONS.**

## Parts:



1. Thread two headless screws to the cross bar, and secure them with four lock nuts (two on each side of the cross bar). Adjust the length of the headless screws if necessary.
2. Attach the cross bar to the outlet box by using two mounting screws.
3. Pull out the outlet wires and the house grounding wire from the outlet box. Make wire connections by using the wire nuts:
  - Connect the black (hot) wire from the fixture to the black (hot) wire from the power source.
  - Connect the white (neutral) wire from the fixture to the white (neutral) wire from the power source.
  - Attach the fixture grounding wire to the cross bar with the green grounding screw. Then connect it to the house grounding wire with a wire nut.
 Carefully put the wires back into the outlet box.
4. Attach the back plate to the cross bar by inserting the headless screws, then secure it with ball nuts.
5. Install bulbs (not included). See relamping label at socket area or packaging for maximum allowed wattage.
6. Attach the glass shades to the glass brackets by threading set screws onto the glass notches. (Do not over tighten.)
7. Turn on the power at the main fuse or circuit breaker box.



**A: 27"**

**B: 10-1/2"**