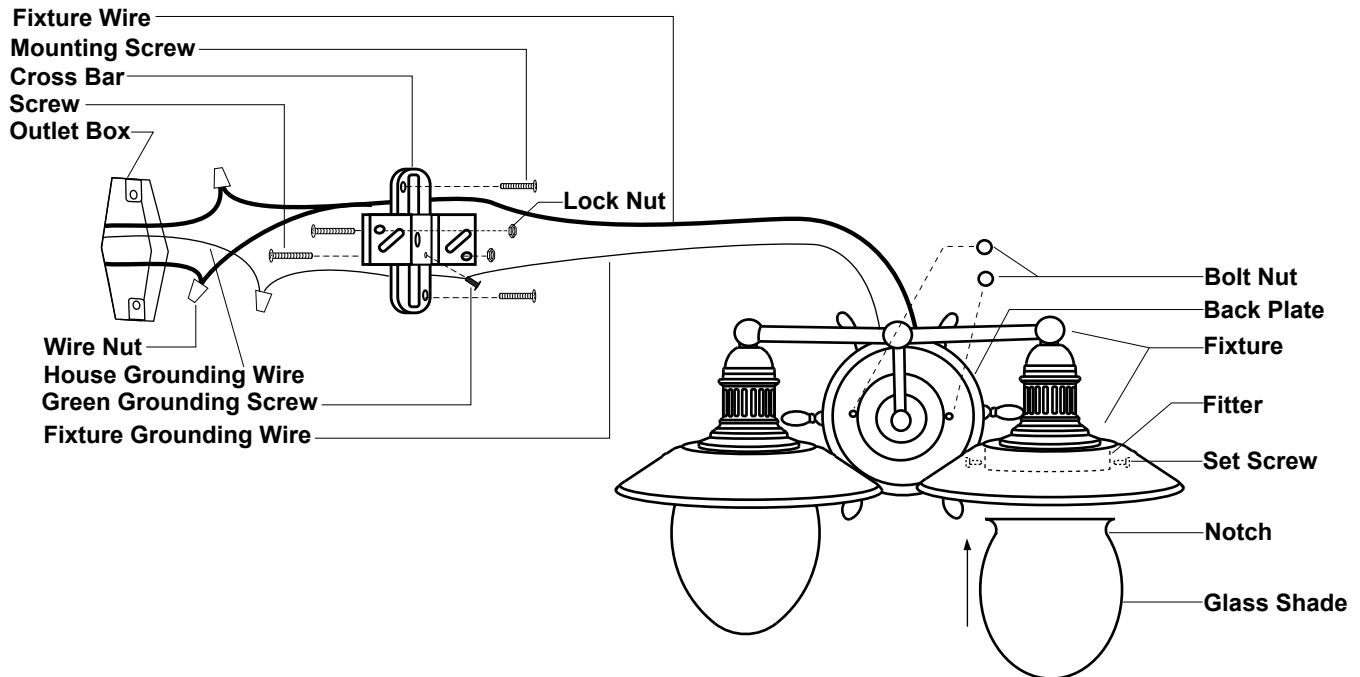


ASSEMBLY AND INSTALLATION INSTRUCTIONS

VL25502/VL25503

WARNING: BE SURE TO SHUT OFF POWER AT THE MAIN FUSE OR CIRCUIT BREAKER BOX BEFORE INSTALLING OR SERVICING THIS FIXTURE.

NOTE: Before installing, consult local electrical codes for wiring and grounding requirements.



1. Thread two screws through the cross bar, then secure them with two lock nuts. Adjust the length of the screws if necessary.
2. Attach the cross bar to the outlet box by using two mounting screws.
3. Pull out the outlet wires and house grounding wire from the outlet box. Make wire connections using the wire nuts:
 - The black wire from the fixture to the black wire from the power source.
 - The white wire from the fixture to the white wire from the power source.
 - Attach the fixture grounding wire to the cross bar with the green grounding screw. Then connect it to the house grounding wire with a wire nut.Carefully tuck the wires back into the outlet box.
4. Attach the back plate to the cross bar by inserting the screws, then secure it with two bolt nuts.
5. Install bulbs (not included). See relamping label at socket area or packaging for maximum allowed wattage.
6. Fix the glass shades to fitters by threading set screws onto the glass notches.
7. Turn on the power at the main fuse or circuit breaker box.