

# ASSEMBLY AND INSTALLATION INSTRUCTIONS

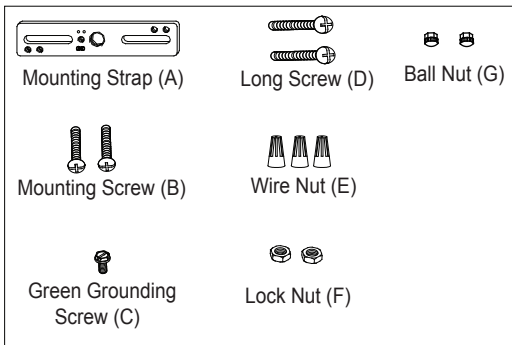
P0038

**WARNING: BE SURE TO SHUT OFF POWER AT THE MAIN FUSE OR CIRCUIT BREAKER BOX BEFORE INSTALLING OR SERVICING THIS FIXTURE.**

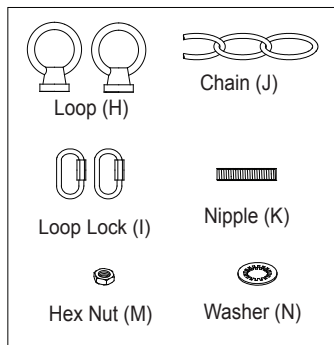
**NOTE: 1. Before installing, consult local electrical codes for wiring and grounding requirements. 2. READ AND SAVE THIS INSTRUCTION.**

## Parts:

Parts Number (4590MM) For Semi-Flush



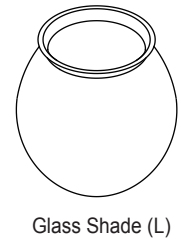
Parts Number (4590AA) For Pendant



Parts Number (9376FO)

Parts Number (4588SS)

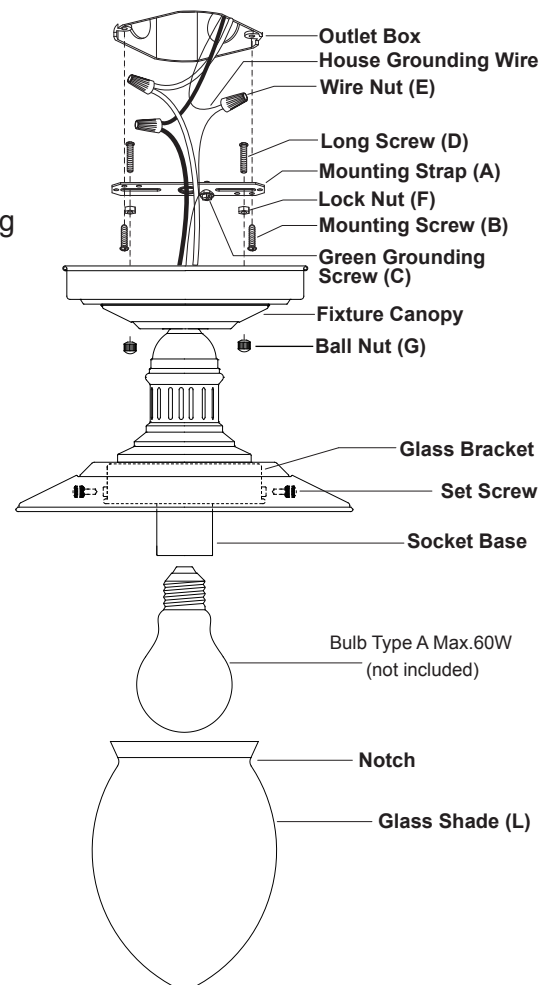
Set Screw (L) (X3)

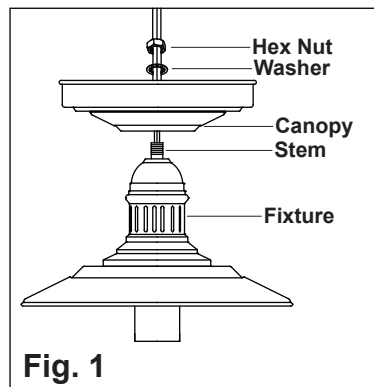
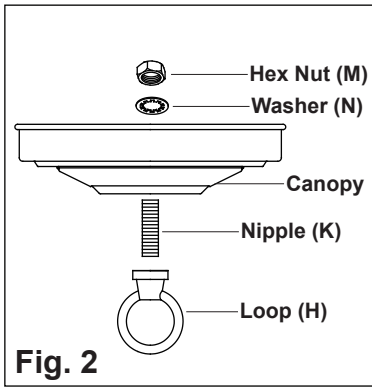


## For Semi-Flush

1. Take out the parts from the hardware package For Semi-Flush.
2. Attach two long screws to the mounting strap, and secure them with two lock nuts. Adjust the length of the long screws if necessary.
3. Attach the mounting strap to the outlet box by using two mounting screws.
4. Cut the redundant wires if necessary. Pull out the outlet wires and the house grounding wire from the outlet box. Make wire connections by using the wire nuts:
  - Connect the smooth wire (marked) from fixture to the black wire from power source.
  - Connect the ridged wire(unmarked) from fixture to the white wire from power source.
  - Attach the fixture grounding wire to the mounting strap with the green grounding screw. Then connect it to the house grounding wire with the wire nut.

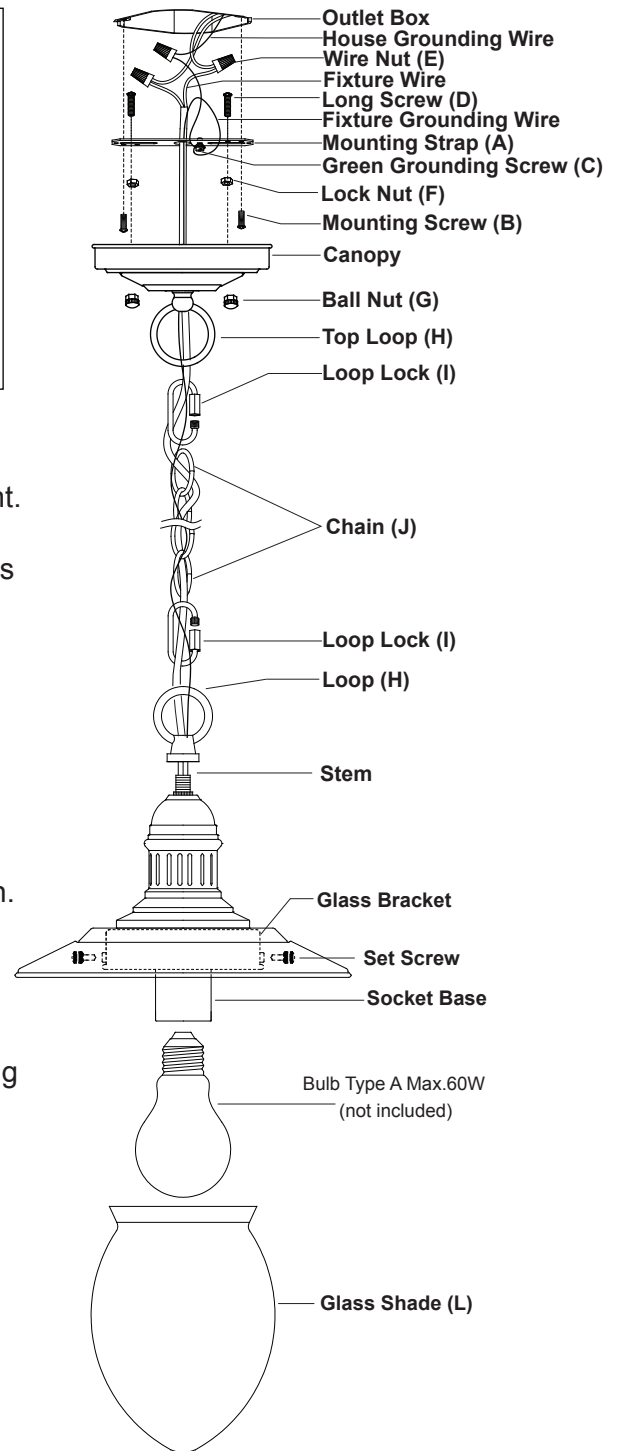
Carefully put wires back into the outlet box.
5. Attach the fixture canopy to the mounting strap, and secure it with the ball nuts.
6. Install a bulb (not included). See relamping label at socket area or packaging for maximum allowed wattage.
7. Attach the glass shade to the glass bracket by threading set screws onto the glass notches. (Do not over tighten.)
8. Turn on the power at the main fuse or circuit breaker box.



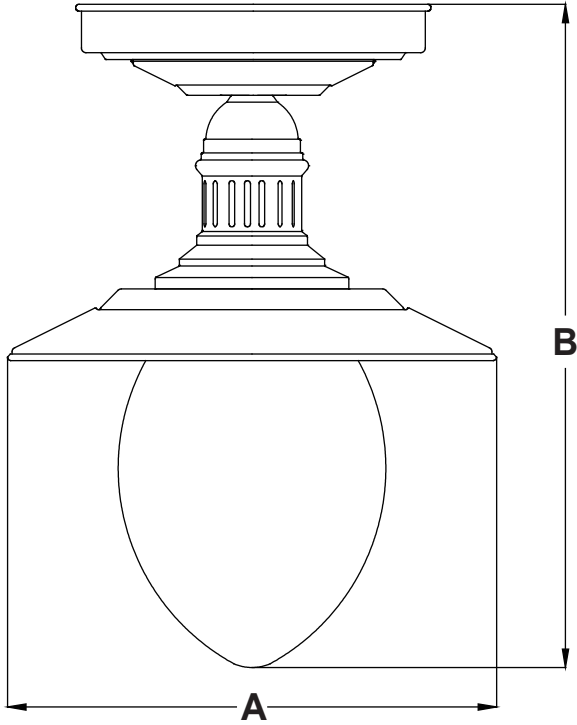


### For Pendant:

1. Take out the parts from the hardware package For Pendant.
2. Thread two long screws to the mounting strap, and secure them with two lock nuts. Adjust the length of the long screws if necessary.
3. Attach the mounting strap to the outlet box by using two mounting screws.
4. Remove the canopy from the stem of the fixture. Then slip the canopy through the nipple, secure it with top loop, washer and hex nut. (See Fig.1 & Fig.2).
5. Secure the loop onto the stem of fixture.
6. Choose the length of the chain you need, then weave the fixture wire and the fixture grounding wire through the chain. Then connect one end of the chain with the loop by using the loop lock.
7. Thread the fixture wire and fixture grounding wire through the top loop, canopy, and mounting strap.
8. Connect the other end of the chain with the top loop by using the loop lock.
9. Pull out the outlet wires and house grounding wire from the outlet box. Make wire connections using the wire nuts:
  - The smooth wire (marked) from the fixture to the black wire from the power source.
  - The ridged wire (unmarked) from the fixture to the white wire from the power source.
  - Attach the fixture grounding wire to the mounting strap with the green grounding screw. Then connect it to the house grounding wire with a wire nut.
 Carefully put the wires back into the outlet box.
10. Attach the canopy to the mounting strap by inserting the two fixture mounting screws, then secure it with two ball nuts.
11. Install bulbs (not included). See relamping label at socket area or packaging for maximum allowed wattage.
12. Attach the glass shades to the glass brackets by threading set screws onto the glass notches. (Do not over tighten.)
13. Turn on the power at the main fuse or circuit breaker box.



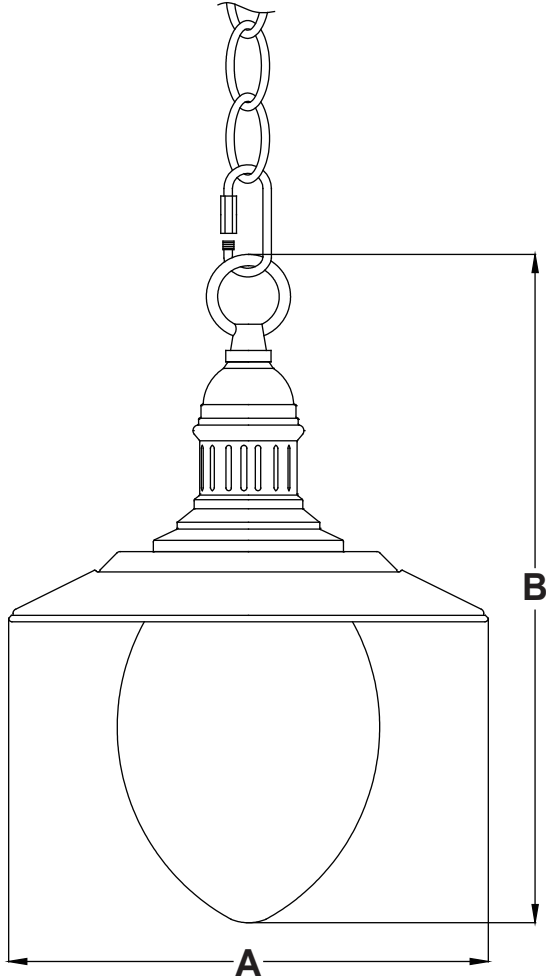
**Dimension Reference (For Semi-Flush)**



**A: 8-1/2"**

**B: 11-1/2"**

**Dimension Reference (For Pendant)**



**A: 8-1/2"**

**B: 11-1/2"**