

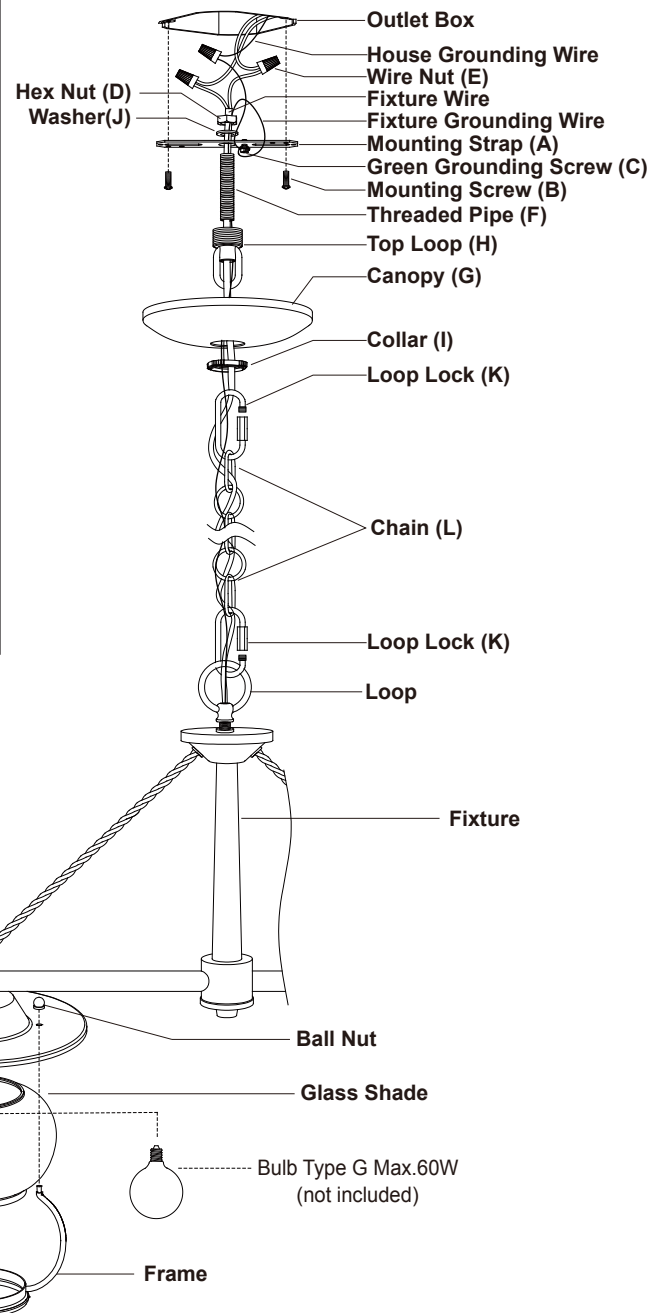
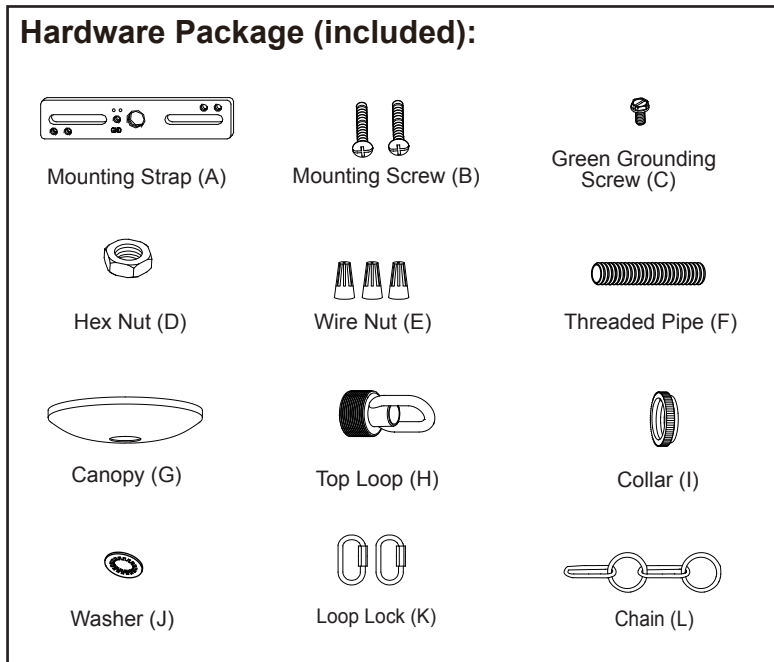
ASSEMBLY AND INSTALLATION INSTRUCTIONS

H0137

WARNING: TO AVOID RISK OF ELECTRICAL SHOCK, BE SURE TO SHUT OFF POWER WHILE INSTALLING OR SERVICING THIS FIXTURE.

NOTES: 1. Before installing, consult local electrical codes for wiring and grounding requirements.
2. READ AND SAVE THESE INSTRUCTIONS.

Hardware Package (included):



Assembly Instructions:

Turn off the power at fuse or circuit box.

1. Attach the threaded pipe to the mounting strap, then secure it with a washer and hex nut.
2. Attach the mounting strap to the outlet box by using two mounting screws.
3. Secure the top loop to the threaded pipe.
4. Thread fixture wires through threaded end of loop, and then secure the loop to stem of the fixture.
5. Connect the chain:
 - Determine length of chain needed to achieve desired fixture height. (To remove excess chain section, use pliers to bend link open.)
 - Weave the fixture wires through the chain, collar, and canopy.
6. Connect one end of the chain to the loop using a loop lock.
7. Connect the other end of the chain to the top loop using the other loop lock.

8. Thread the fixture wire and fixture grounding wire through the top loop, long threaded pipe and mounting strap.
9. Pull out the source wires from the outlet box. Make wire connections using wire nuts as follows:
 - Connect the smooth-coated wire (marked) from the fixture to the black wire from the power source.
 - Connect the ribbed-coated wire (unmarked) from the fixture to the white wire from the power source.
 - Attach the fixture grounding wire to the mounting strap with the green grounding screw. Then connect it to the house grounding wire with a wire nut.
 Carefully put the wires back into the outlet box.
10. Attach the canopy to the mounting strap: insert the top loop through hole, then secure by tightening collar.

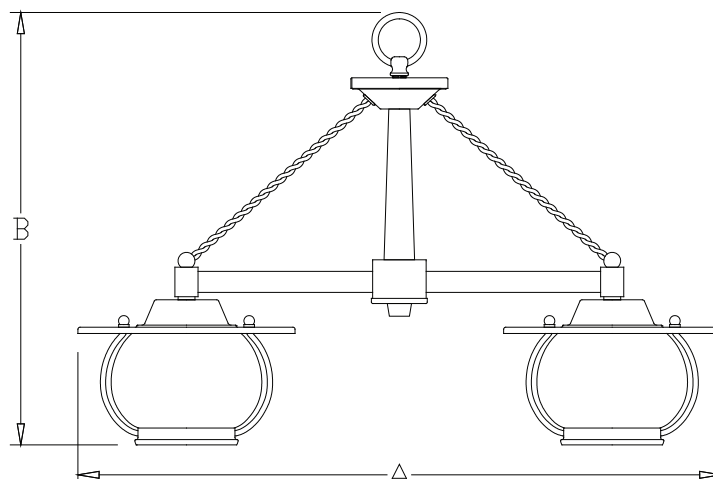
CAUTION: With silicone caulking compound, caulk completely around where back of canopy meets with the ceiling surface to prevent water from seeping into the outlet box.
11. Attach the glass shades and frames onto the fixture, secure them with ball nuts.
12. Install bulbs (not included). See relamping label at socket area or packaging for maximum allowed wattage.

Turn on the power at the main fuse or circuit breaker box.

The following parts are available for re-order if damaged or missing.

Spare Parts List:

Mounting Strap (A)	Mounting Screw (B)	Green Grounding Screw (C)			
Hex Nut (D)	Wire Nut (E)	Threaded Pipe (F)	→	Assembly Kit (5227MM) (1 SET)	→
					→
Canopy (G)	Top Loop (H)	Collar (I)		Glass Shade (9678CS) (3 PC)	→
					→
Washer (J)	Loop Lock (K)	Chain (L)		Ball Nut (5229BB) (6 PCS)	→



A: 24"
B: 16"