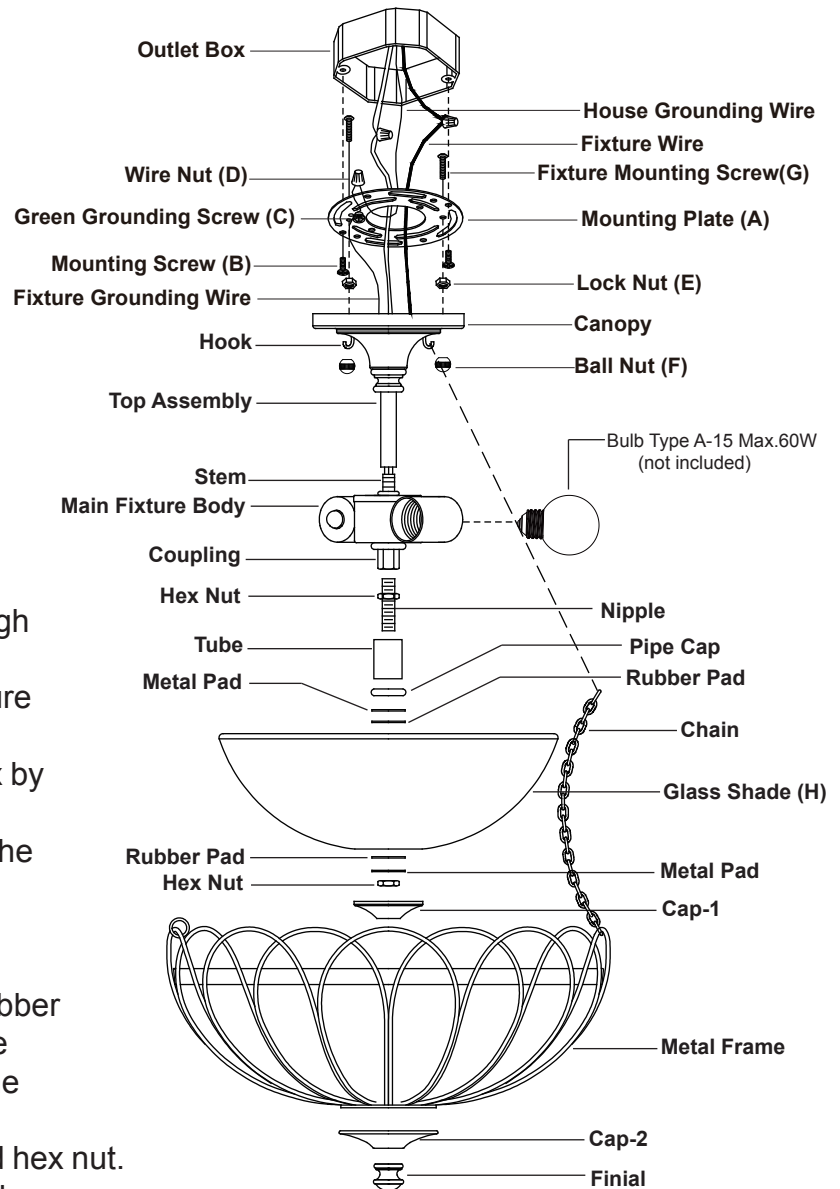
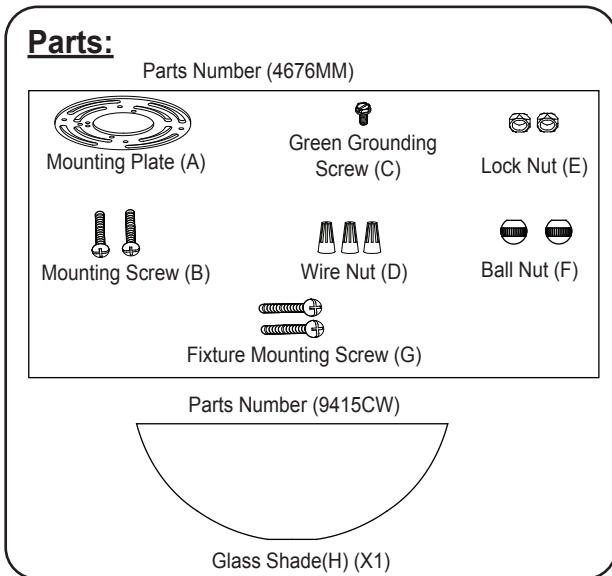


ASSEMBLY AND INSTALLATION INSTRUCTIONS

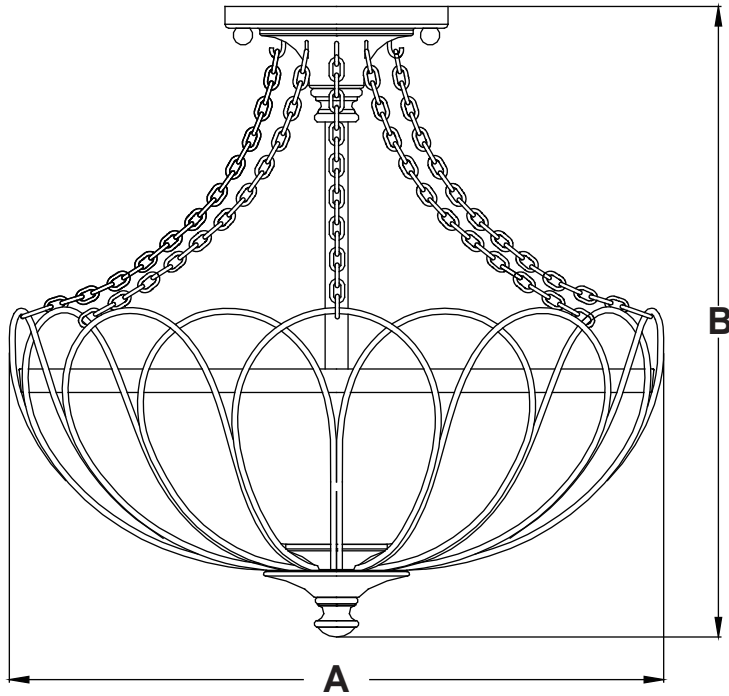
C0038

WARNING: BE SURE TO SHUT OFF POWER AT THE MAIN FUSE OR CIRCUIT BREAKER BOX BEFORE INSTALLING OR SERVICING THIS FIXTURE.

NOTE: 1. Before installing, consult local electrical codes for wiring and grounding requirements. 2. READ AND SAVE THESE INSTRUCTIONS.



1. Thread two fixture mounting screws through the mounting plate, and secure them with two lock nuts. Adjust the length of the fixture mounting screws if necessary.
2. Attach the mounting plate to the outlet box by using two mounting screws.
3. Screw the top assembly into the stem on the main fixture body.
4. Screw the nipple into the coupling on the main fixture body, secure it with hex nut.
5. Slide the tube, pipe cap, metal pad and rubber pad onto the nipple, place the glass shade over the main fixture body, making sure the nipple feeds through its center hole, then secure it with a rubber pad, metal pad and hex nut.
6. Slide cap-1 and metal frame onto the nipple, secure them with cap-2 and finial. Hook one end of the chain onto the top assembly.
Note: Adjust the metal frame, make sure that the chain and hook are lined up perpendicular.
7. Install bulbs(not included). See relamping label at socket area or packaging for maximum allowed wattage.
8. Pull out the outlet wires and the house grounding wire from the outlet box. Make wire connections using the wire nuts:
 - The black (hot) wire from the fixture to the black (hot) wire from the power source.
 - The white (neutral) wire from the fixture to the white (neutral) wire from the power source.
 - Attach the fixture grounding wire to the mounting strap with the green grounding screw. Then connect it to the house grounding wire with the wire nut.
 Carefully put the wires back into the outlet box.
9. Attach the canopy to the mounting plate, and secure it with two ball nuts.
10. Turn on the power at the main fuse or circuit breaker box.



A: 13"

B: 13"