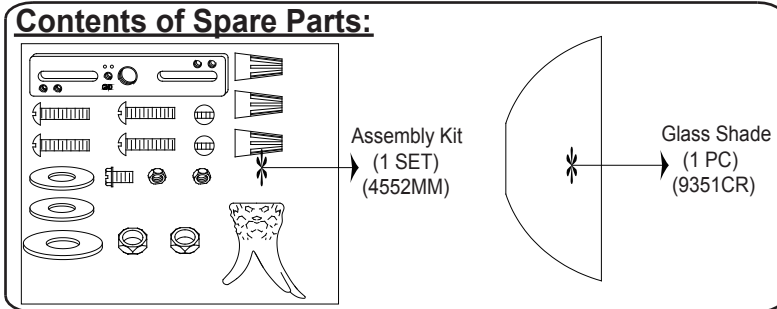


# ASSEMBLY AND INSTALLATION INSTRUCTIONS

C0020

**WARNING: BE SURE TO SHUT OFF POWER AT THE MAIN FUSE OR CIRCUIT BREAKER BOX BEFORE INSTALLING OR SERVICING THIS FIXTURE.**

**NOTE: 1. Before installing, consult local electrical codes for wiring and grounding requirements.  
2. READ AND SAVE THESE INSTRUCTIONS.**



1. Thread two screws to the mounting strap, and secure them with two lock nuts. Adjust the length of the screws if necessary.
2. Attach the mounting strap to the outlet box by using two mounting screws.
3. Pull out the outlet wires and the house grounding wire from the outlet box. Make wire connections using the wire nuts:
  - The black wire from the fixture to the black wire from the power source.
  - The white wire from the fixture to the white wire from the power source.
  - Attach the fixture grounding wire to the mounting strap with the green grounding screw. Then connect it to the house grounding wire with a wire nut.

Carefully put the wires back into the outlet box.

4. Attach the canopy to the mounting strap by inserting the screws, and then secure them with ball nuts.
5. Install bulbs (not included). See relamping label at socket area or packaging for maximum allowed wattage.
6. Attach the rubber pad and glass shade upward to the fixture, then secure them with a rubber pad, metal pad and hex nut.
7. Attach the antler set upward to the glass shade carefully by inserting the nipple, and then secure it with a hex nut and finial.
8. Turn on the power at the main fuse or circuit breaker box.

