

**WARNING**

**DISCONNECT POWER BEFORE RELAMPING OR WIRING THE FIXTURE.  
READ ALL INSTRUCTIONS COMPLETELY BEFORE STARTING INSTALLATION.**

**CAUTION**

- **TO AVOID THE RISK OF FIRE OR SHOCK, FIXTURE MUST BE INSTALLED IN COMPLIANCE WITH ALL APPLICABLE NATIONAL AND LOCAL ELECTRICAL/BUILDING CODES.**
- **INSTALLATION AND MAINTENANCE OF THIS UNIT REQUIRES AN ELECTRICIAN OR CERTIFIED FACTORY TRAINED TECHNICIAN.**
- If an existing fixture is being replaced, remove it and note to which of the wires in the outlet box the fixture was attached. **DO NOT SEPARATE ANY OTHER WIRES THAT MAY BE IN THE BOX. DO NOT DAMAGE THE INSULATION OF OLDER WIRING.** In regular circumstances the **BLACK** wire will be the "Hot" lead and the **WHITE** wire will be the "Neutral" or "Common" lead. A **GREEN** or **BARE COPPER** wire is the "Ground". In older buildings it is always good practice to reconfirm the polarity of the wiring.

**NOTICE**

- The important safeguards and instructions outlined on this sheet cannot cover all possible conditions and situations that may occur. It must be understood that common sense, caution and care are factors that cannot be built into any product. Caution and care must be supplied by the person(s) installing, operating and caring for this lighting fixture.
- This fixture is designed to be mounted on a correctly installed standard round or octagon box or a through wiring box with a plaster frame. The box must be securely mounted to the structure of the building. The crossbar and hardware supplied should be used. Directly mounting the fixture to the outlet box may make it impossible to correctly align the fixture.
- **NOTE:** For your safety be certain that the circuit breakers controlling outdoor lighting and equipment are GFI breakers

**FIXTURE PREPARATION**

1. Remove the fixture, parts and parts bag(s) from the carton.

**NOTICE:**

Before discarding the carton, double check to make certain that all parts are found.

**FIXTURE INSTALLATION**

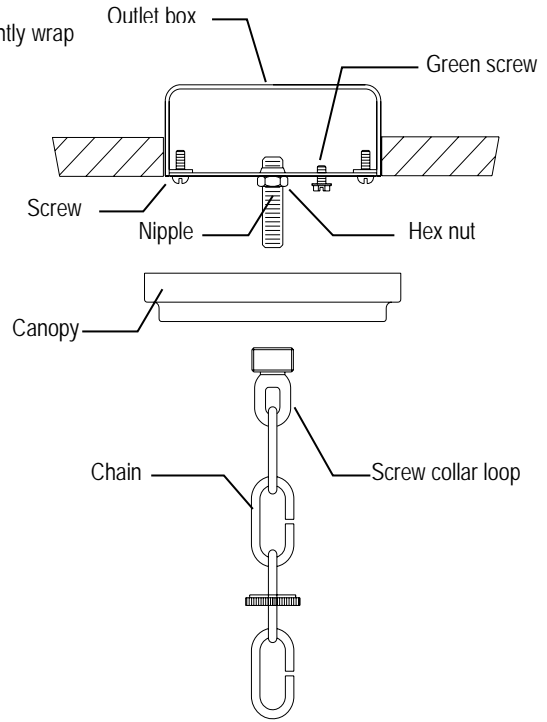
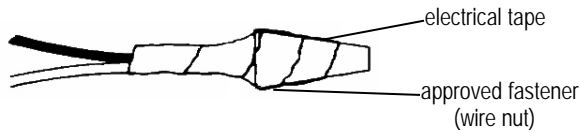
1. Thread the 2 mounting screws into the mounting bar. (The green screw is in the front). Attach the mounting bar to the outlet box. Then thread the nipple into the crossbar and the hex nut onto the nipple.
2. Remove the threaded ring from the screwcollar loop. Fully thread the screwcollar loop onto the nipple. Place the canopy over the screwcollar loop and against the ceiling. Adjust the nipple so that 1/4" of threads on the screwcollar loop extend beyond the canopy. Then remove the canopy and tighten the hex nut against the crossbar.
3. Open end links of chain and attach the chain to the screwcollar loop. Close the top link of chain. Hang the fixture on the chain at the desired height. Remove excess chain. Close the bottom link of chain on fixture loop ring.
4. Unscrew the ring from the screwcollar loop. Let the ring and canopy slide down the chain to the top of the fixture. Thread the lead wires and ground wire (first) through chain, ring and then the canopy.
5. When the ceiling is reached, measure 6" beyond the chain and cut off the excess wire. Separate the leads and strip of approx. 1/2" of insulation from each lead. Twist the strands of wire together. Push the leads and ground wire up through the screwcollar loop and nipple and into the outlet box.
6. Fasten the ground wire to the green or bare copper wire in the outlet box or to the green screw on the crossbar.

**WARNING**

Never fasten the ground wire to the black or "hot" wire!  
Failure to follow this instruction could result in serious injury or death!

7. Fasten the white fixture lead to the white wire in the outlet box. Fasten the wires together with an approved fastener (wire nut). Starting about 1' below the fastener, tightly wrap the connection with electrical tape so that the connection seals the end of the fastener.

**! WARNING**  
 Make sure that there is no exposed wire or strands that could cause a dangerous short circuit !



8. Connect the black fixture lead to the black wire in the outlet box. Fasten the joined wires as in step 7.
9. Slide the canopy and screwcollar ring up the chain and secure the canopy to the ceiling, then install the fixture and chain and hook together.
10. Fasten the cage and arm together with the hex ball nut
11. Fasten the shade into the cage with the ball screw.
12. Install the lamps ( light bulbs).  
 NOTE: This fixture is rated for Max 60 watt type B, BA, C or CA lamp.

**! WARNING**  
 DO NOT EXCEED RECOMMENDED WATTAGE!

13. Restore power to circuit at breaker or fuse box.

