

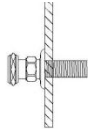
## Installation Information

### Item #P1047

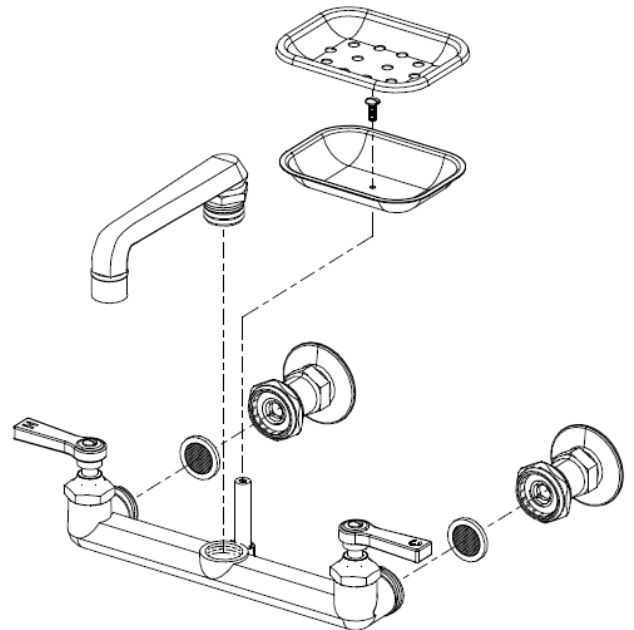
### Wall Mount Kitchen Faucet with Soap dish, 8" Centers

Warranted only if installed by a qualified licensed plumber. When attaching parts to the faucet body, take care not to scratch the finish when tightening the nuts.

1. Shut off the water supply valves before installation.
2. Rough-in  $\frac{1}{2}$ " IPS (Iron Pipe Size) nipples,  $\frac{1}{2}$ " past the finished wall at 8" on center.
3. Thread the wall mount couplers onto the  $\frac{1}{2}$ " IPS nipples, using Teflon tape on the threads.
10. Make no adjustments to valves or valve stems. They are tested at the factory for optimum performance.



4. Attach the faucet body to the wall mount couplers and tighten nuts to secure. Use care not to scratch the finish.
5. Attach the spout to the faucet body, tighten nut.
6. Use screw provided to attach soap dish to faucet. Insert strainer on soap dish.
7. Put handles onto valve stems, secure with handle screw.
8. Remove the aerator from the end of the spout and turn on water supply to flush hot and cold lines until the water is clear.
9. Re-install the aerator and enjoy your beautiful faucet.



#### PARTS INCLUDED:

- (1) 8" Center Faucet Body
- (1) Handle Pair
- (1) Wall Mount Coupler Pair
- (1) Spout
- (1) Soap dish