

Mail Slots – 4075

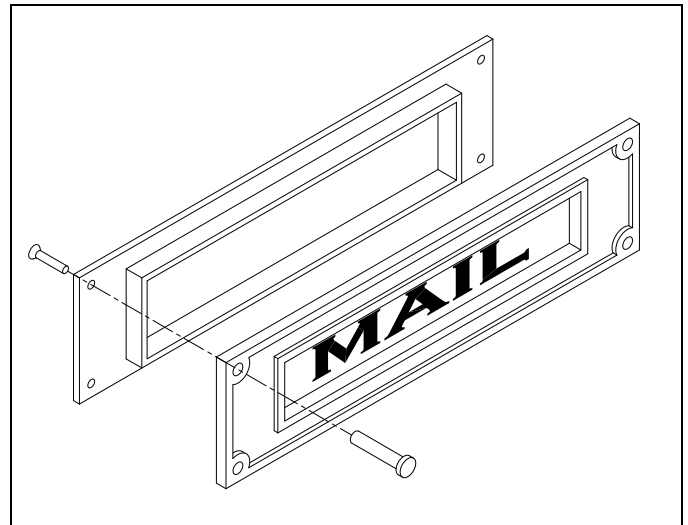
Deluxe Style Installation Instructions

Thank you for selecting Salsbury's deluxe mail slot model 4075. The two (2) piece deluxe mail slots are made of brass and can be installed in doors and walls from 1-1/4" – 1-7/8" deep. Heavy duty tamper proof brass bolts secure the front and back frames to each other from the rear.

Installation

1. Position the front frame on flat surface in center of door at desired height and mark four screw holes and four circle centers for the rough opening.
2. Using 1/2" drill bit, drill four circle centers from front of door to a depth that allows drill bit tip to penetrate back of door, then finish hole by drilling from back of door. Mark horizontal and vertical dotted cut-out lines of rough opening from hole to hole.
3. Use a saw to cut out opening along dotted cut out lines.
4. Make sure front frame is level and centered over opening on outside of door. Ensure that flap swings inward and closes freely. Mark screw holes and drill 4 - 5/16" through holes.
5. Secure back frame using the heavy duty tamper proof brass bolts (provided).

Model 4075 – Deluxe Mail Slot



Cleaning

Polish with a soft cloth or sponge.

DO NOT use abrasive materials on cast brass surfaces.

Unit Overall Dimensions

13-1/4"W x 3-1/2"H

Rough Opening Dimensions

11"W x 3"H

SALSBURY INDUSTRIES

1010 East 62nd Street, Los Angeles, CA 90001-1598
Phone: 1-800-624-5269 Int'l Phone: 323-846-6700
Fax: 1-800-624-5299 Int'l Fax: 323-846-6800
www.mailboxes.com engineering@mailboxes.com