

Quoizel, Inc.  
 6 Corporate Parkway  
 Goose Creek, SC  
 29445

Customer Service  
 Phone 631.273.2700  
 Fax 631.231.7102  
 www.quoise.com

## Assembly Instruction Sheet #IS-VYR5024ML For Style VYR5024ML

**Tools Required:** Flathead screwdriver, Phillips screwdriver, pliers, wire cutters, wire strippers, electrical tape, safety glasses.

**Bulb Recommended:** (24) Candelabra Base 60W Maximum

**Estimated Assembly Time:** 45-60 minutes

**Preparation:** Identify and inspect all parts before beginning installation. Check package content list and diagrams below to be sure all parts are present. If any parts are missing or damaged, do not attempt to assemble, install, or operate the fixture. Contact customer service for replacement parts.



### Warnings and Cautions

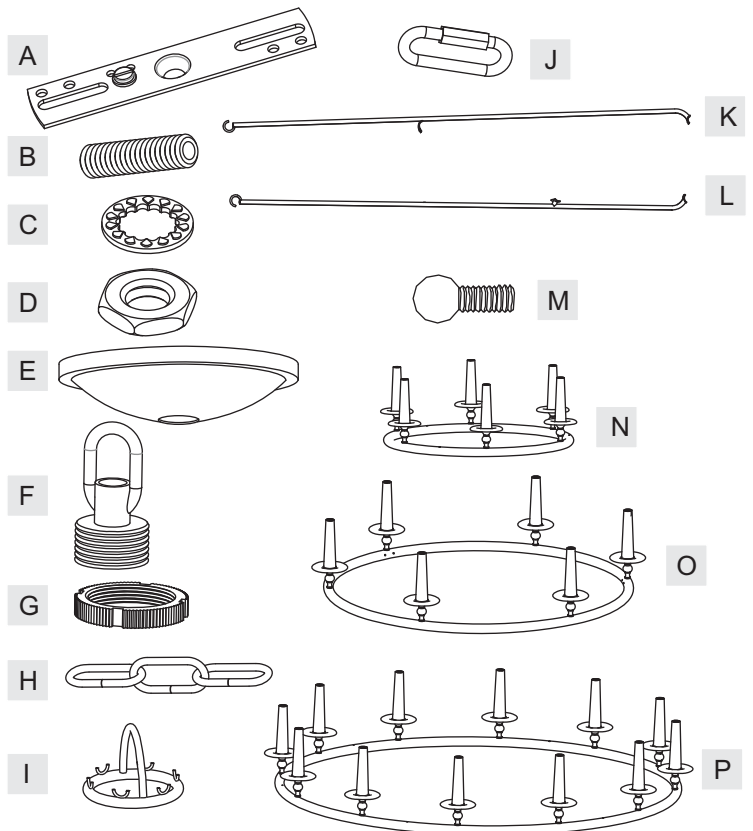
Turn off electricity at circuit breaker or main fuse box before installation. Consult a licensed electrician if in doubt.

These instructions are provided for your safety. It is very important you read them completely before installing the fixture. We strongly recommend that a licensed, professional electrician perform the installation.

Disconnect fixture from power source before replacing bulbs. Make sure bulbs are given sufficient time to cool before removal. Do not subject glass parts to any shock while in operation or shattering may result.

### Package Contents

Part	Description	Quantity
A	Crossbar	1 pc.
B	Nipple	1 pc.
C	Lock Washer	2 pcs.
D	Hex Nut	2 pcs.
E	Ceiling Canopy	1 pc.
F	Canopy Chain Loop	1 pc.
G	Canopy Lock Ring	1 pc.
H	Fixture Chain	1 pc.
I	Fixture Loop	1 pc.
J	Quick Link	2 pcs.
K	Side Arm with Tabs 1	3 pcs.
L	Side Arm with Tab 2	3 pcs.
M	Lock Screw	15 pcs.
N	Upper Socket Assembly	1 pc.
O	Middle Socket Assembly	1 pc.
P	Lower Socket Assembly	1 pc.



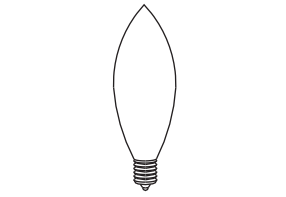
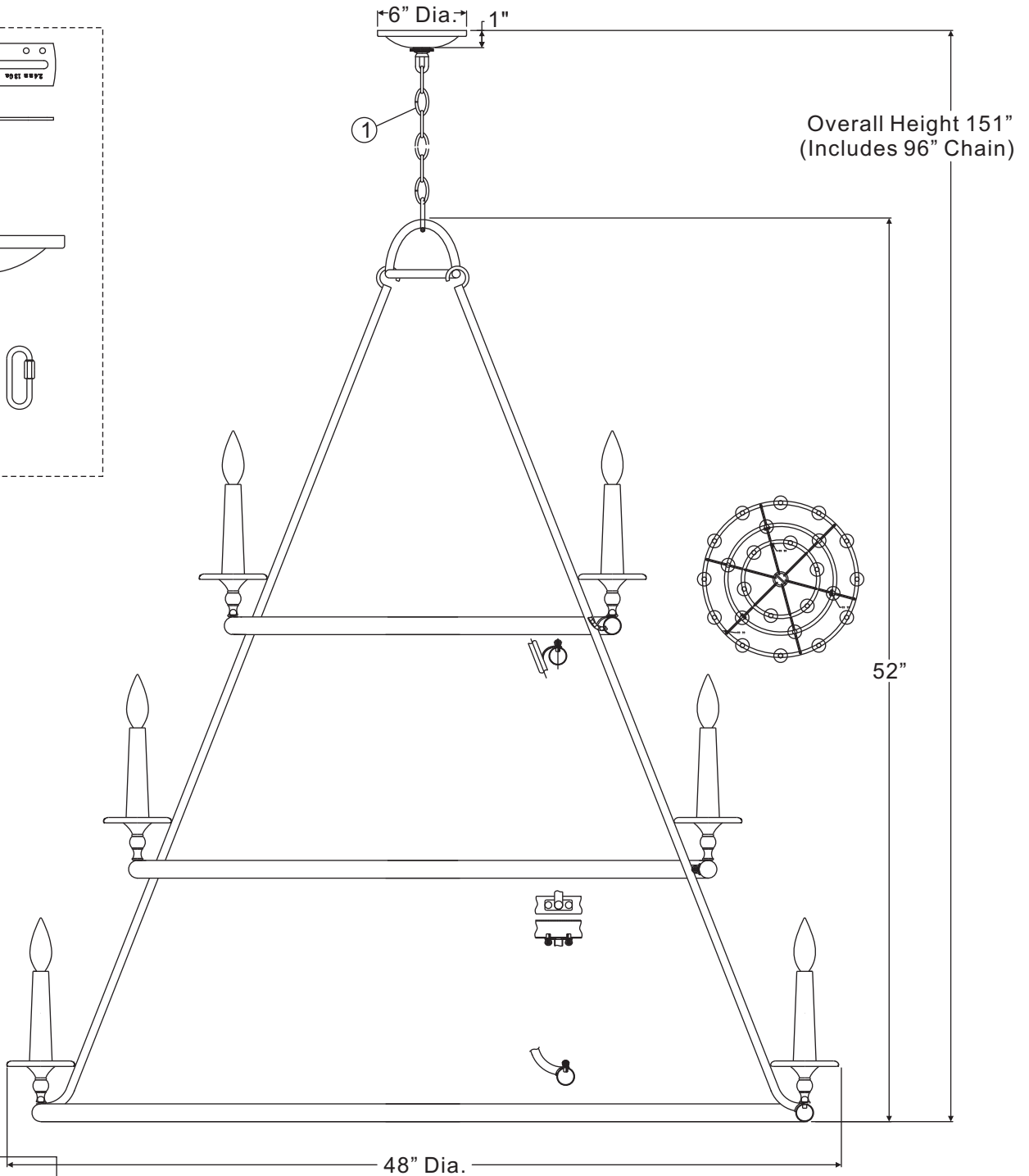
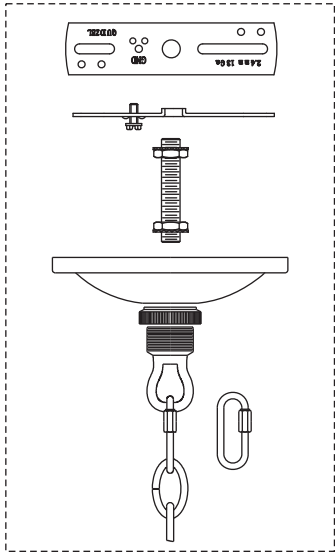
**Thank you for purchasing a Quoizel product.**

**Need assistance with parts or assembly? Call Quoizel customer service at 1-631-273-2700  
 or visit us on-line at www.quoise.com**

VYR5024ML

FINISH: MALAGA

NOTE: SIX LIGHTS SHOWN FOR ILLUSTRATION PURPOSES ONLY.



(24) 60W Candelabra Base Bulbs  
(No Supplied)

NOTE: ALL DIMENSIONS ARE ROUNDED UP TO THE NEAREST 1/2"

NO.	PART NUMBER	REPLACEMENT PART DESCRIPTION	REQ.
1	M2398CHML	CHAIN 4.5MM x 4' MALAGA	1

# Assembly Instruction Sheet #IS-VYR5024ML

## For Style VYR5024ML

### STEP 1 – Install Side Arms

A. Attach the Side Arms with Tabs 2 (L) and Side Arms with Tabs 1 (K) to the Lower Socket Assembly (P) one next another. Line up the holes on the Tabs at the ends of Side Arms (K/L) to the Mounting Holes on the Lower Socket Assembly (P). Secure by threading Lock Screws (M) into the Mounting Holes. Hand tighten until snug.

Notes: please pay attention to the fixture that there are some alphabet on the fixture for you easily to assemble, please assemble them as A---A1---A2, B--B1--B2 accordingly.

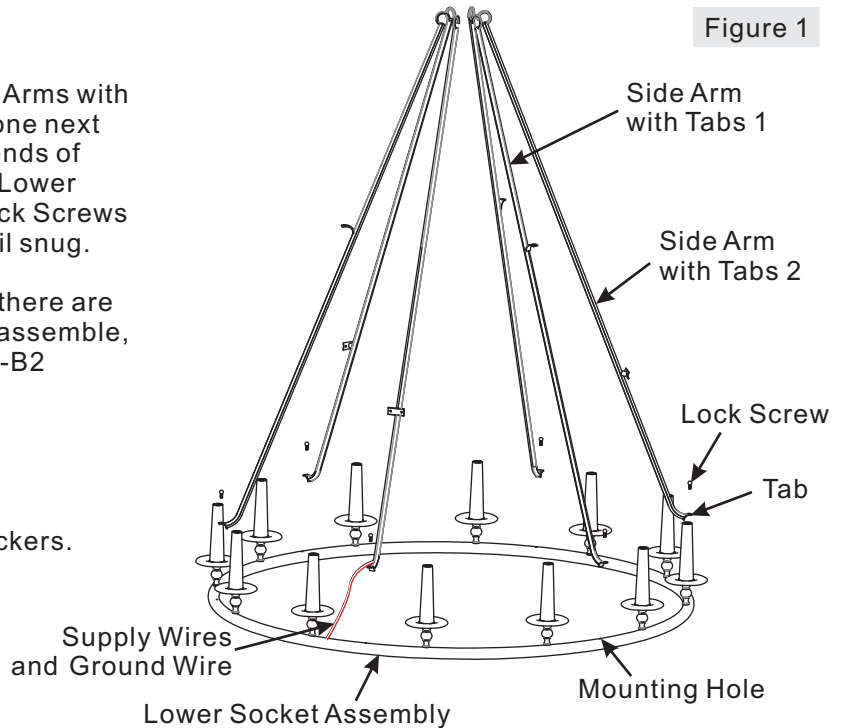
bottom tier: A, B, C, D, E, F

second tier: A1, C1, E1

third tier: B1, D1, F1

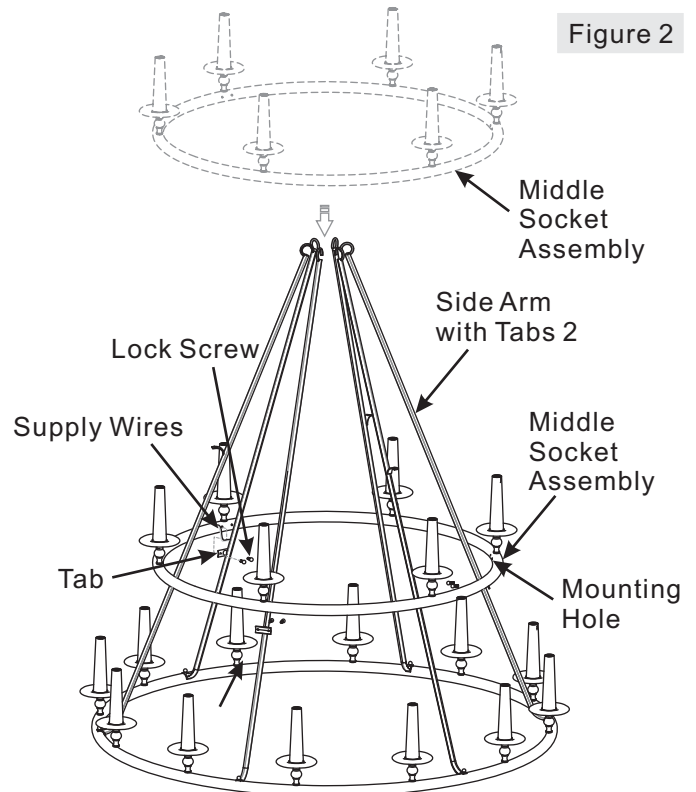
top: A2, B2, C2, D2, E2, F2

When the work is done, please remove the stickers.



### STEP 2 – Install Middle Socket Assembly

A. Place the Middle Socket Assembly (O) over the top end of Side Arms (K/L). Line up the Mounting Holes on the Middle Socket Assembly (O) to the holes on the middle Tabs of the Side Arms with Tabs 2 (L). Secure them together with Lock Screws (M). Hand tighten until snug.

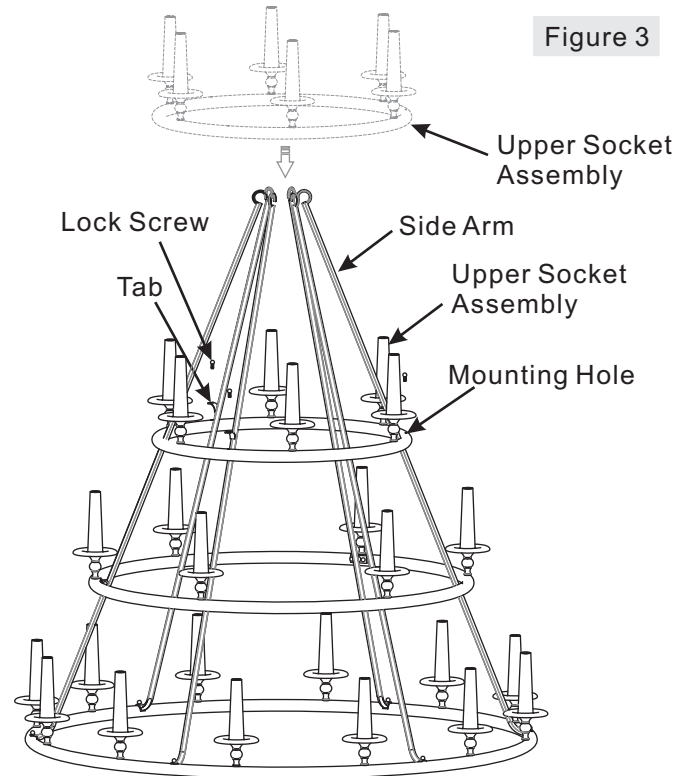


Thank you for purchasing a Quoizel product.

Need assistance with parts or assembly? Call Quoizel customer service at 1-631-273-2700  
 or visit us on-line at [www. quozel. com](http://www. quozel. com)

### STEP 3 – Install Upper Socket Assembly

- A. Place the Upper Socket Assembly (N) over the top ends of the Side Arms (K/L). Attach the Upper Socket Assembly (N) to the bottom of upper Tabs on the Side Arms with tabs 1(K). Line up the Mounting Holes on the Upper Socket Assembly (N) to the holes on the upper Tabs of Side Arms with Tabs 1 (K). Secure them together with Lock Screws (M). Hand tighten until snug.



### STEP 4 – Install Fixture Loop

- A. Attach the Hooks at the top ends of Side Arms (K/L) to the Hook Holder on the Fixture Loop (I).

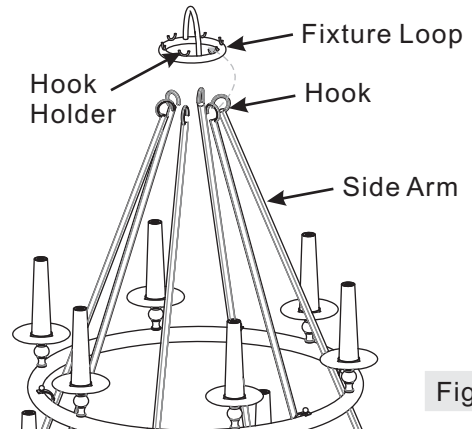
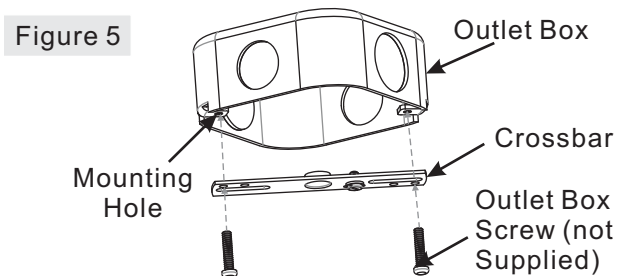


Figure 4

### STEP 5 – Attach Crossbar to Outlet Box

- A. Secure the Crossbar (A) to the outlet box with outlet box screws (not supplied). Tighten until snug.



Thank you for purchasing a Quozel product.

Need assistance with parts or assembly? Call Quozel customer service at 1-631-273-2700  
or visit us on-line at [www. quozel. com](http://www. quozel. com)

# Assembly Instruction Sheet #IS-VYR5024ML

## For Style VYR5024ML

### STEP 6 – Attach Nipple to Crossbar

- A. Thread one Hex Nut (D) onto the top end of the Nipple (B).
- B. Place one Lock Washer (C) over the top end of the Nipple (B) and then thread the Nipple (B) into the center lock hole of the Crossbar (A).
- C. Using pliers, thread the hex Nut (D) against the Crossbar (A) and hand tighten until snug.

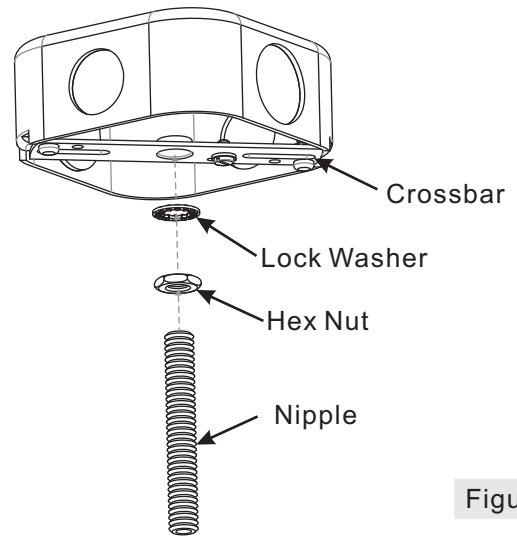


Figure 6

### STEP 7 – Attach Canopy Chain Loop to Nipple

- A. Thread another Hex Nut (D) onto the end of the Nipple (B).
- B. Place the Lock Washer (C) over the end of the Nipple (B) and then thread the Canopy Chain Loop (F) onto the end of the Nipple (B).
- C. Using pliers, thread the Hex Nut (D) against the Canopy Chain Loop (F) and hand tighten until snug.

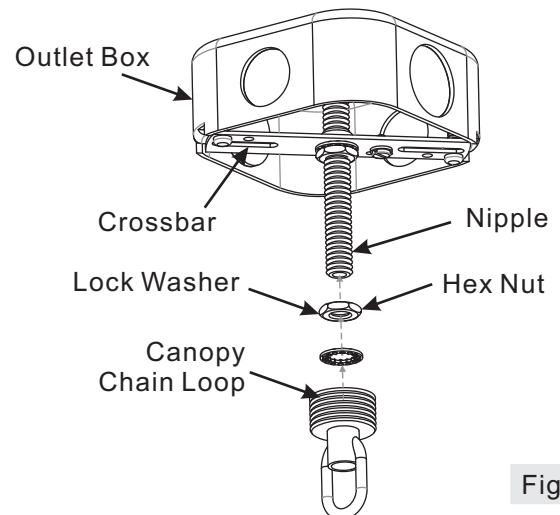


Figure 7

### STEP 8 – Assemble Ceiling Canopy

- A. Push the Ceiling Canopy (E) upward over the Outlet Box. Thread the Canopy Lock Ring (G) onto the Canopy Chain Loop (F) and tighten until snug to secure the Ceiling Canopy (E).

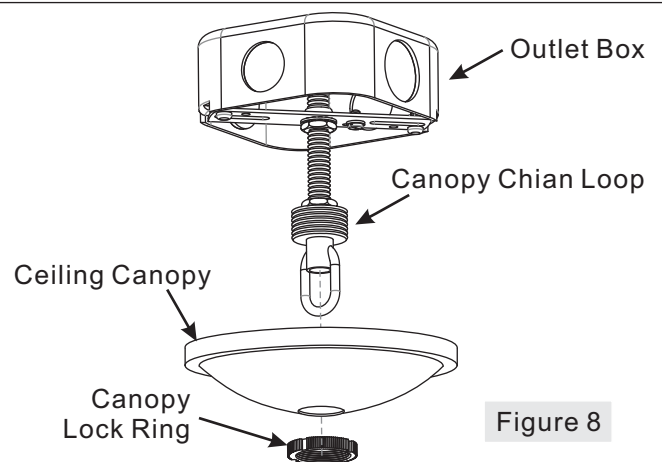
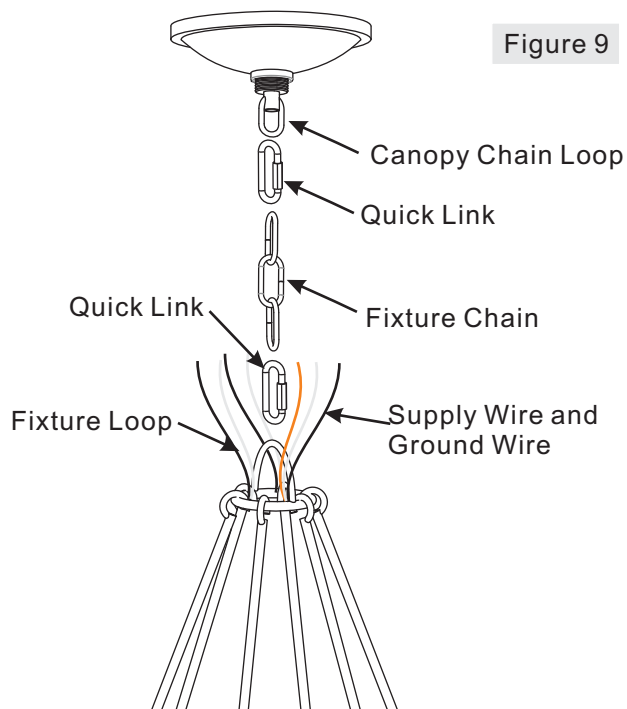


Figure 8

Thank you for purchasing a Quoizel product.  
Need assistance with parts or assembly? Call Quoizel customer service at 1-631-273-2700  
or visit us on-line at [www. quoizel. com](http://www. quoizel. com)

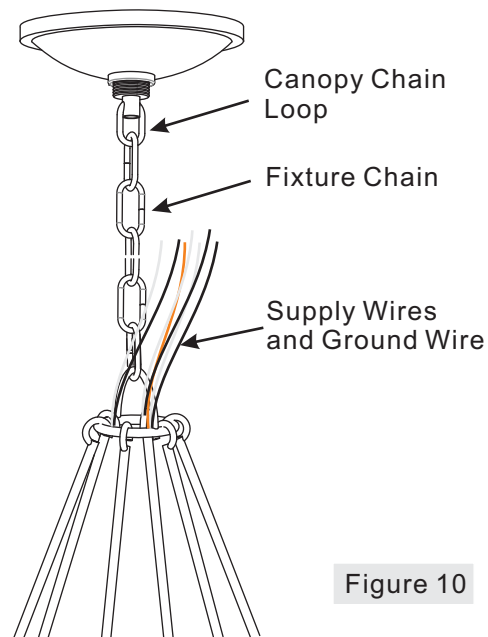
### STEP 9 – Install Fixture Chain

- A. Adjust the Fixture Chain (H) to your desired length by removing the links if needed. You may need to use plier to open the chain links. If so, put a cloth over the chain to protect the finish from the pliers.
- B. Attach one end of the Fixture Chain (H) onto the Canopy Chain Loop (F) with one Quick Link (J) and then attach the other end of the Fixture Chain (H) onto the Fixture Loop (I) with the Quick Link (J).



### STEP 10 – Pass Supply Wires through Fixture Chain

- A. Pull the Supply Wires and Ground Wire up through the Fixture Chain (H) alternating links. Push the wires up through the Canopy Chain Loop (F) into the outlet box.



Thank you for purchasing a Quoizel product.

Need assistance with parts or assembly? Call Quoizel customer service at 1-631-273-2700  
or visit us on-line at [www. quoizel. com](http://www. quoizel. com)

# Assembly Instruction Sheet #IS-VYR5024ML

## For Style VYR5024ML

### STEP 11 – Make Wire Connections

- A. Un-thread the Canopy Lock Ring (G) and slide Canopy Lock Ring (G) and Ceiling Canopy (E) down the Fixture Chain (H).
- B. Push all slack fixture wire through Canopy Chain Loop (F) into Outlet Box. Trim excess fixture wire leaving a minimum of 6 inch. Hanging out of the Outlet Box.
- C. Use standard wire connectors to make all wire connections. (Connectors are not included with fixture.) Strip and prepare wire ends according to instructions supplied with connectors.
- D. Connect White Supply Wire from the Outlet Box to Ribbed side Wire from fixture.
- E. Connect Black (or Red) Supply Wire from the Outlet Box to Smooth side Wire from fixture.
- F. Connect Ground Wire from the Outlet Box to Ground Wire from fixture.
- G. Twist connectors until wires are tightly joined together.
- H. Wrap each connection with approved electrical tape and carefully stuff all the connected wires into the Outlet Box.
- I. Re-attach the Ceiling Canopy (E) as shown in Step 8.

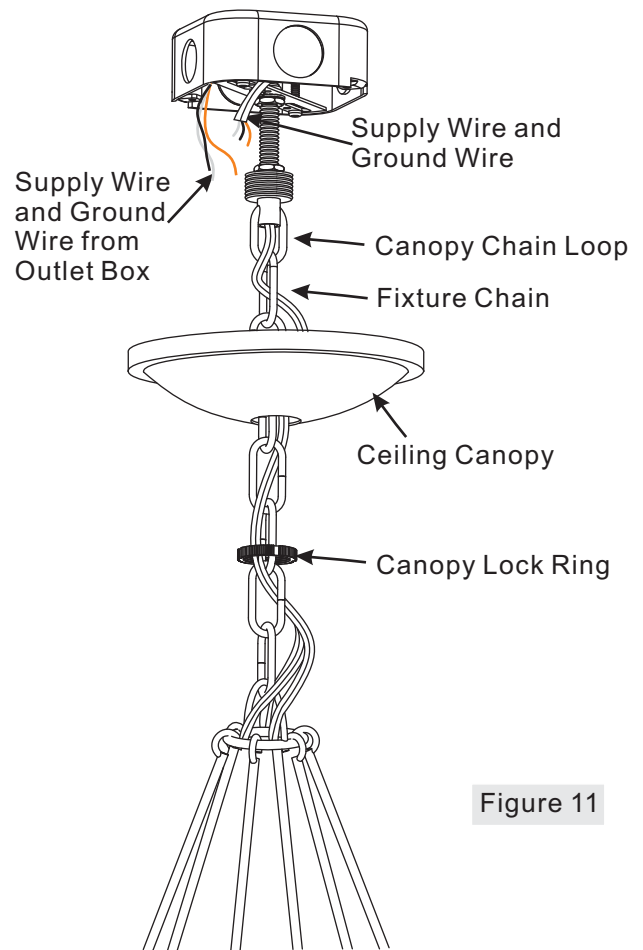


Figure 11

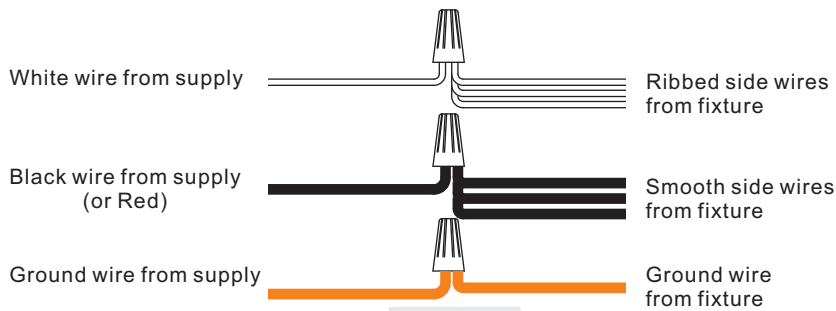


Figure 12

### STEP 12 – Install Bulb

- A. This fixture uses candelabra bulbs with a screw base. Maximum 60 watts.
- B. Insert bulb and screw properly into place.

Your fixture is now assembled and ready to use.  
 Enjoy!

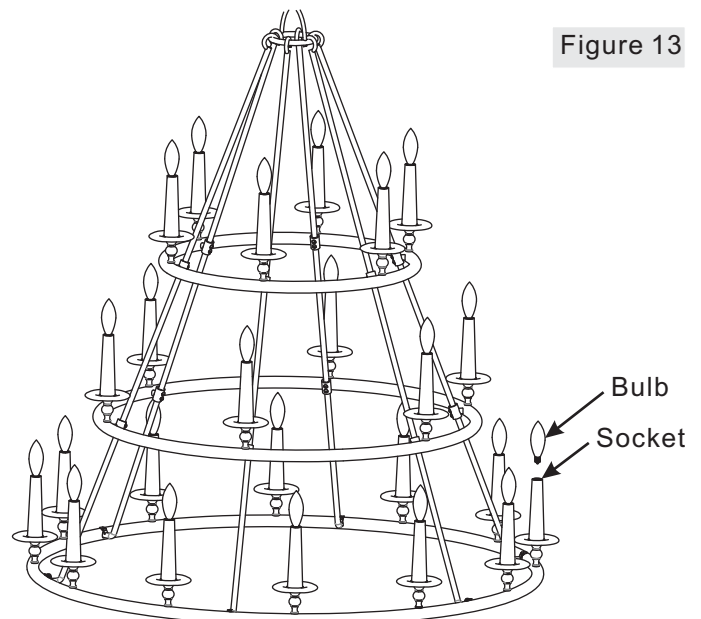


Figure 13

**Thank you for purchasing a Quoizel product.**  
**Need assistance with parts or assembly? Call Quoizel customer service at 1-631-273-2700**  
**or visit us on-line at [www.quoise.com](http://www.quoise.com)**