

Assembly Instruction Sheet #IS-UPEV5005WT For Style UPEV5005WT

Quozel, Inc.
 6 Corporate Parkway
 Goose Creek, SC
 29445

Customer Service
 Phone 631.273.2700
 Fax 631.231.7102
 www. quozel. com

Tools Required: Flathead screwdriver, Phillips screwdriver, pliers, wire cutters, wire strippers, electrical tape, safety glasses.

Bulb Recommended: (5) Medium Base 60W Maximum (supplied)

Estimated Assembly Time: 20-30 minutes

Preparation: Identify and inspect all parts before beginning installation. Check package content list and diagrams below to be sure all parts are present. If any parts are missing or damaged, do not attempt to assemble, install, or operate the fixture. Contact customer service for replacement parts.



Warnings and Cautions

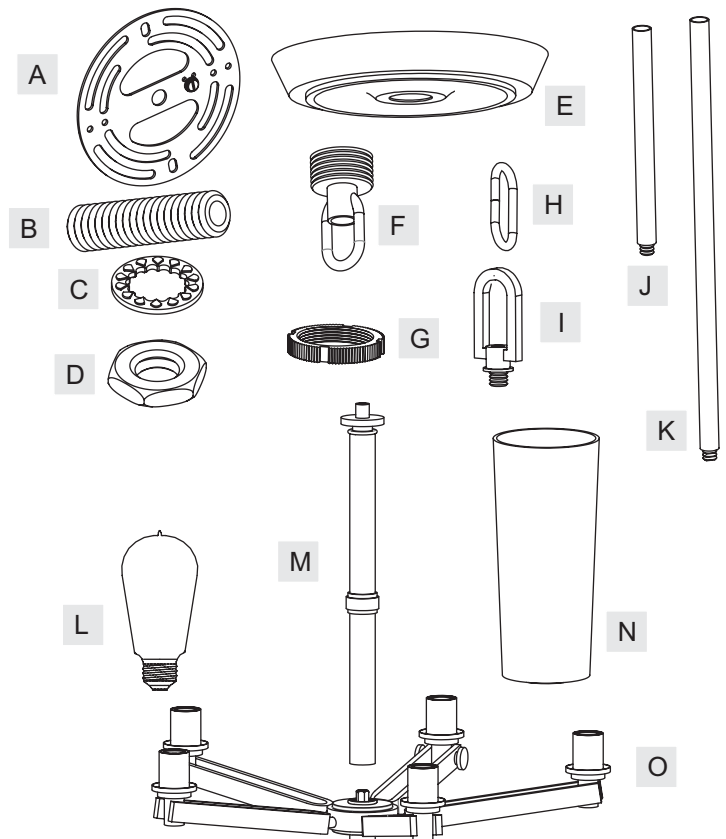
Turn off electricity at circuit breaker or main fuse box before installation. Consult a licensed electrician if in doubt.

These instructions are provided for your safety. It is very important you read them completely before installing the fixture. We strongly recommend that a licensed, professional electrician perform the installation.

Disconnect fixture from power source before replacing bulbs. Make sure bulbs are given sufficient time to cool before removal. Do not subject glass parts to any shock while in operation or shattering may result.

Package Contents

Part	Description	Quantity
A	Crossbar	1 pc.
B	Nipple	1 pc.
C	Lock Washer	2 pcs.
D	Hex Nut	2 pcs.
E	Ceiling Canopy	1 pc.
F	Canopy Chain Loop	1 pc.
G	Canopy Lock Ring	1 pc.
H	Fixture Chain	1 pc.
I	Fixture Loop	1 pc.
J	6" Rod	2 pcs.
K	12" Rod	2 pcs.
L	Bulb	5 pcs.
M	Center Rod	1 pc.
N	Shade	5 pcs.
O	Socket Assembly	1 pc.

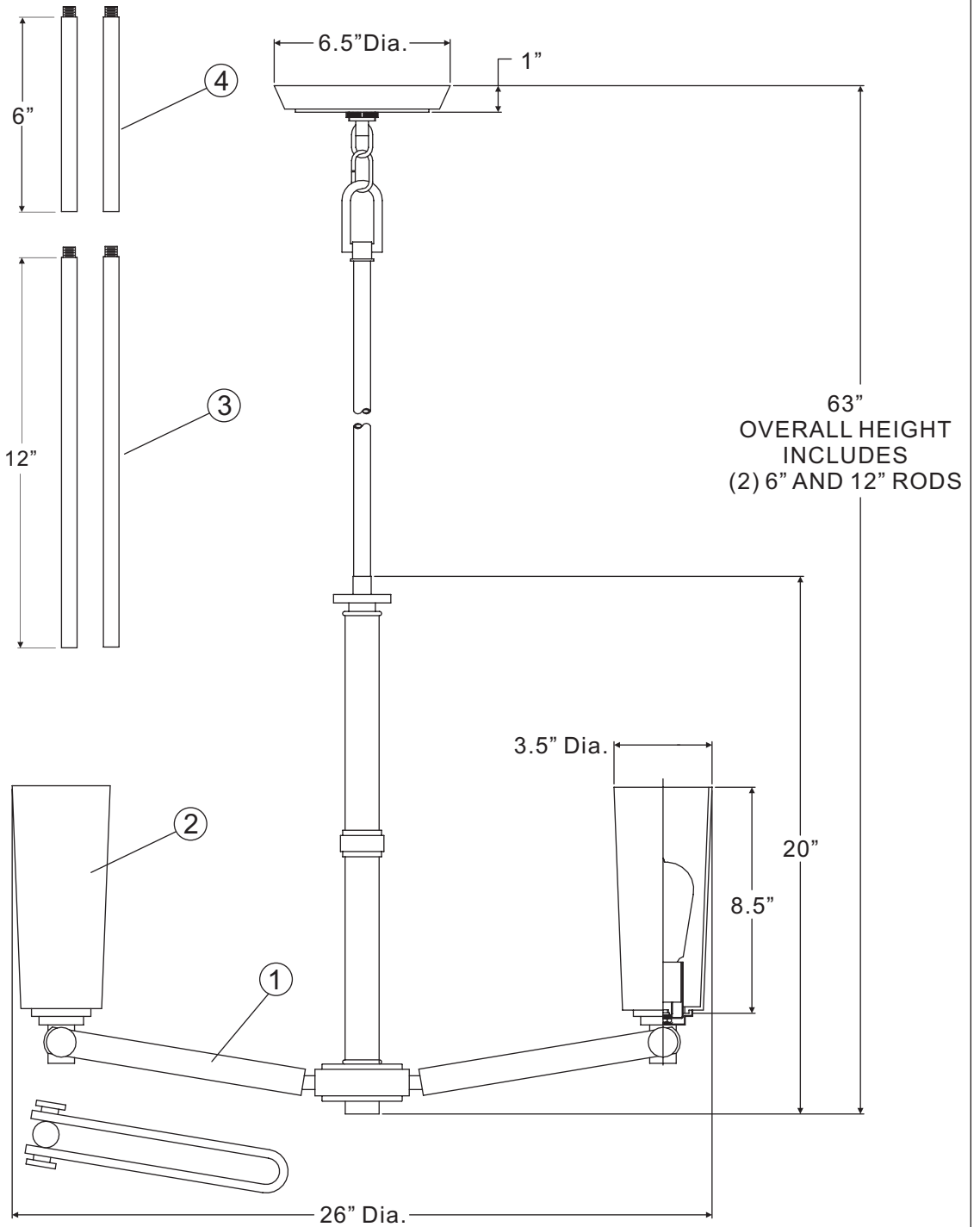
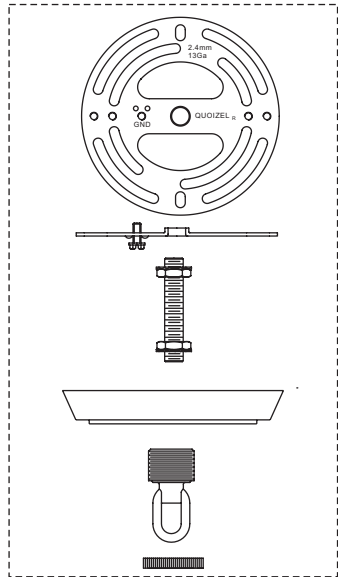


Thank you for purchasing a Quozel product.

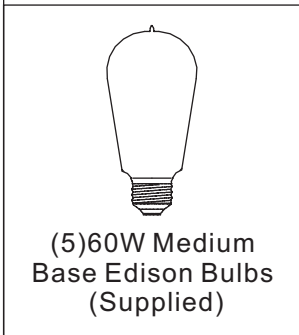
Need assistance with parts or assembly? Call Quozel customer service at 1-631-273-2700
 or visit us on-line at www. quozel. com

UPEV5005WT

FINISH: WESTERN BRONZE



63"
OVERALL HEIGHT
INCLUDES
(2) 6" AND 12" RODS



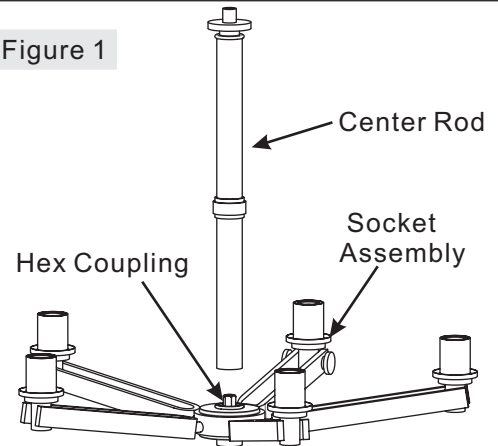
NOTE: ALL DIMENSIONS ARE ROUNDED UP TO THE NEAREST 1/2"

NO.	PART NUMBER	REPLACEMENT PART DESCRIPTION	REQ.
1	15005WTUPEV	BASE WESTERN BRONZE UPEV5005WT	1
2	G3443SH	GLASS SHADE - CLEAR	5
3	15005WTUPEV	ROD EXT WESTERN BRONZE 12"L X 0.63"D	2
4	15005WTUPEV	ROD EXT WESTERN BRONZE 6"L X 0.63"D	2

STEP 1– Attach Center Rod to Socket Assembly

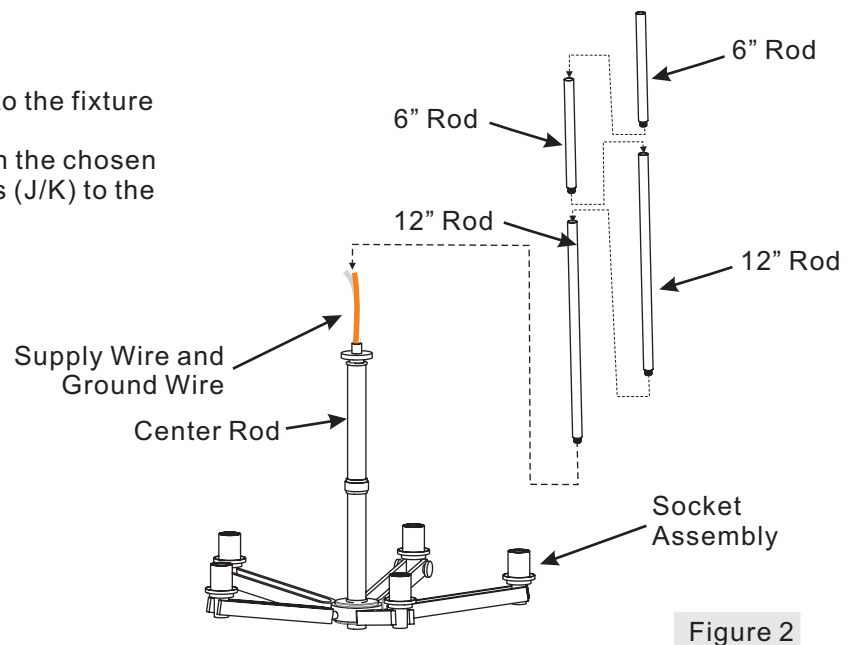
- A. Thread the Center Rod (M) onto the Hex Coupling on the top center of the Socket Assembly (O). Hand tighten until snug.

Figure 1



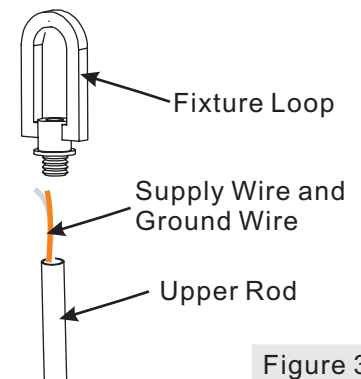
STEP 2– Assemble Rods

- A. Determine the Rods (J/K) to be assembled to the fixture according to your hanging height.
B. Pass Supply Wires and Ground Wire through the chosen Rods (J/K) and then thread the chosen Rods (J/K) to the Center Rod (M). Hand tighten until snug.



STEP 3 – Assemble Fixture Loop to Upper Rod

- A. Pass Supply Wires and Ground Wire through the Fixture Loop (I) then thread the Fixture Loop (I) and the Upper Rod together. Hand tighten until snug.



Thank you for purchasing a Quozel product.
Need assistance with parts or assembly? Call Quozel customer service at 1-631-273-2700
or visit us on-line at www. quozel. com

STEP 4 – Attach Crossbar to Outlet Box

- A. Secure the Crossbar (A) to the outlet box with outlet box screws (not supplied). Tighten until snug.

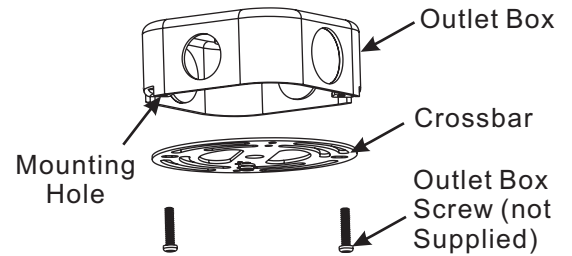


Figure 4

STEP 5 – Attach Nipple to Crossbar

- A. Thread one Hex Nut (D) onto the top end of the Nipple (B).
B. Place one Lock Washer (C) over the top end of the Nipple (B) and then thread the Nipple (B) into the center lock hole of the Crossbar (A).
C. Using pliers, thread the Hex Nut (D) against the Crossbar (A) and hand tighten until snug.

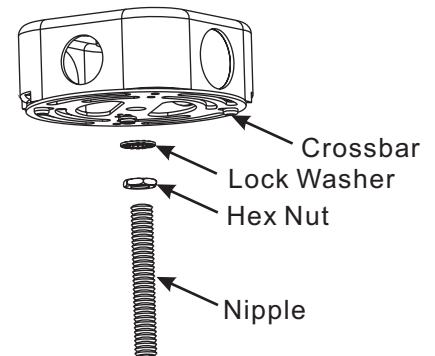


Figure 5

STEP 6 – Attach Canopy Chain Loop to Nipple

- A. Thread another Hex Nut (D) onto the end of the Nipple (B).
B. Place the Lock Washer (C) over the end of the Nipple (B) and then thread the Canopy Chain Loop (F) onto the end of the Nipple (B).
C. Using pliers, thread the Hex Nut (D) against the Canopy Chain Loop (F) and hand tighten until snug.

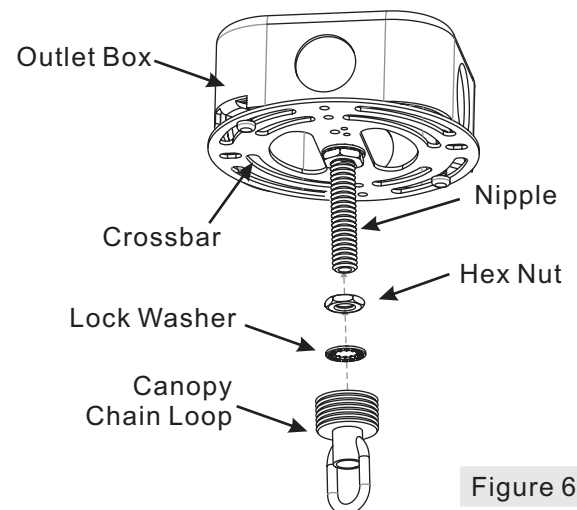


Figure 6

Thank you for purchasing a Quozel product.
Need assistance with parts or assembly? Call Quozel customer service at 1-631-273-2700
or visit us on-line at www. quozel. com

STEP 7 – Assemble Ceiling Canopy

- A. Push the Ceiling Canopy (E) upward over the Outlet Box. Thread the Canopy Lock Ring (G) onto the Canopy Chain Loop (F) and tighten until snug to secure the Ceiling Canopy (E).

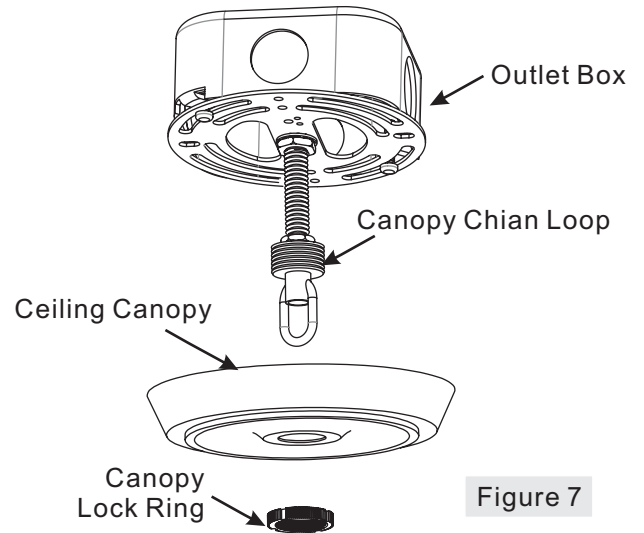


Figure 7

STEP 8 – Attach Fixture Chain to Canopy Chain Loop and Fixture Loop

- A. Attach the Fixture Chain (H) onto the Canopy Chain Loop (F) and the Fixture Loop (I) on the top of the fixture.

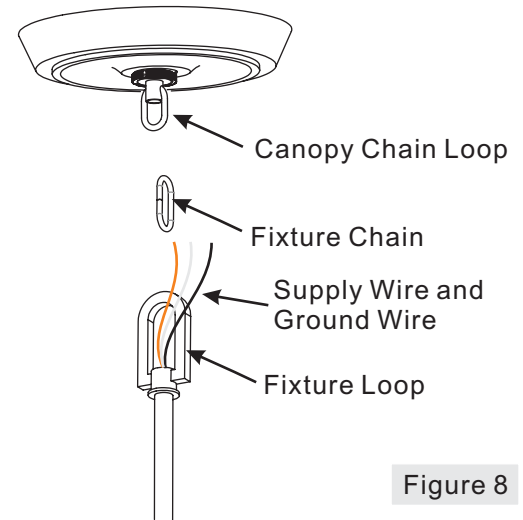


Figure 8

Thank you for purchasing a Quozel product.

Need assistance with parts or assembly? Call Quozel customer service at 1-631-273-2700
or visit us on-line at www. quozel. com

STEP 9 – Pass Supply Wires through Fixture Chain

- A. Pull the Supply Wires and Ground Wire up through the Fixture Chain (H). Push the wires up through the Canopy Chain Loop (F) into the outlet box.

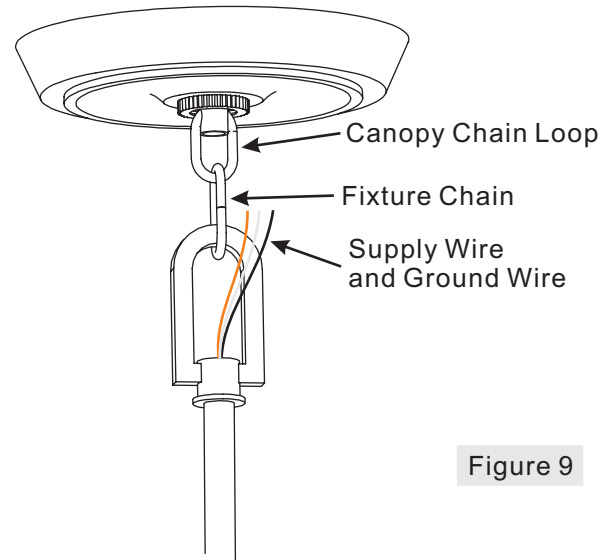


Figure 9

STEP 10 – Make Wire Connections

- A. Un-thread the Canopy Lock Ring (G) and slide Canopy Lock Ring (G) and Ceiling Canopy (E) down the Fixture Chain.
 B. Push all slack fixture wire through Canopy Chain Loop into Outlet Box. Trim excess fixture wire leaving a minimum of 6 inch. Hanging out of the Outlet Box.
 C. Use standard wire connectors to make all wire connections. (Connectors are not included with fixture.) Strip and prepare wire ends according to instructions supplied with connectors.
 D. Connect White Supply Wire from the Outlet Box to White Wire from fixture.
 E. Connect Black (or Red) Supply Wire from the Outlet Box to Black Wire from fixture.
 F. Connect Ground Wire from the Outlet Box to Ground Wire from fixture.
 G. Twist connectors until wires are tightly joined together.
 H. Wrap each connection with approved electrical tape and carefully stuff all the connected wires into the Outlet Box.
 G. Re-attach the Ceiling Canopy (E) as shown in Step 7.

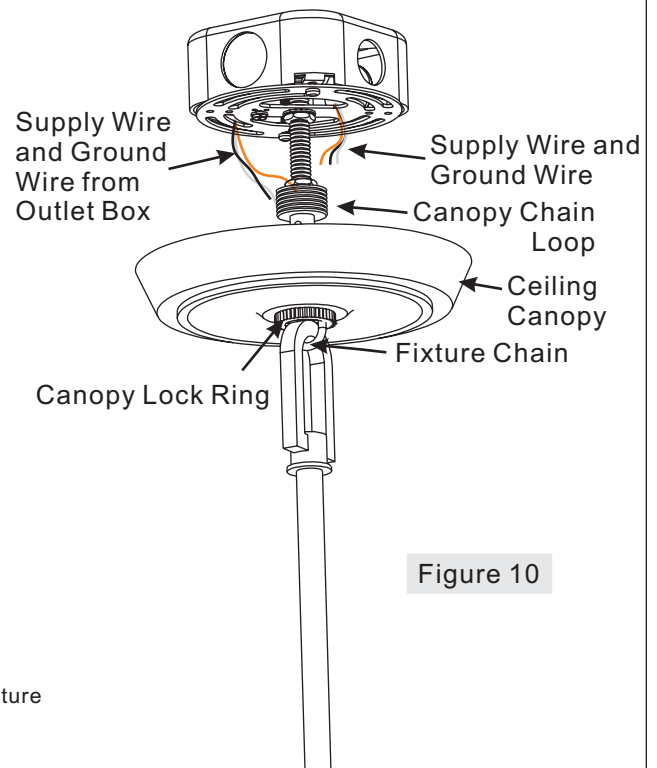


Figure 10

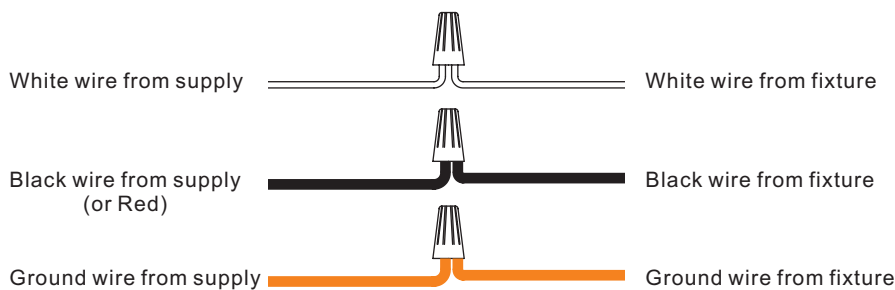
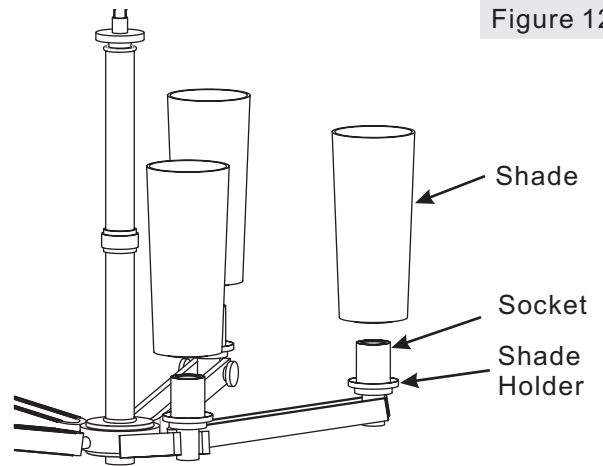


Figure 11

Thank you for purchasing a Quozel product.
Need assistance with parts or assembly? Call Quozel customer service at 1-631-273-2700
or visit us on-line at www. quozel. com

STEP 11 – Attach Shade to Fixture Body

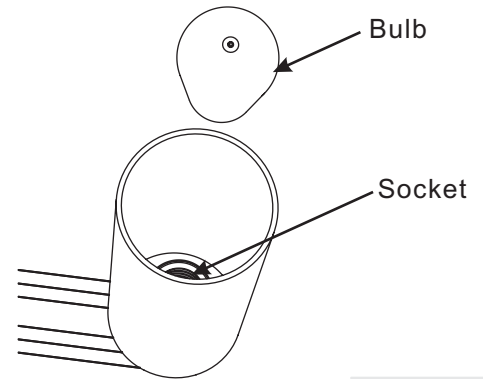
- A. Place the Shade (N) over Socket, seat onto Shade Holder as shown.
- B. Refer to the next step to install bulb once you place the Shade (N) to Shade Holder. The Shade (N) and the bulb need to be assembled one by one.



STEP 12 – Install Bulb

- A. This fixture uses Edison bulb (supplied) with a standard screw base. Maximum 60 watts.
- B. Insert bulb and screw properly into place.

Your fixture is now assembled and ready to use. Enjoy!



Thank you for purchasing a Quozel product.

**Need assistance with parts or assembly? Call Quozel customer service at 1-631-273-2700
or visit us on-line at www. quozel. com**