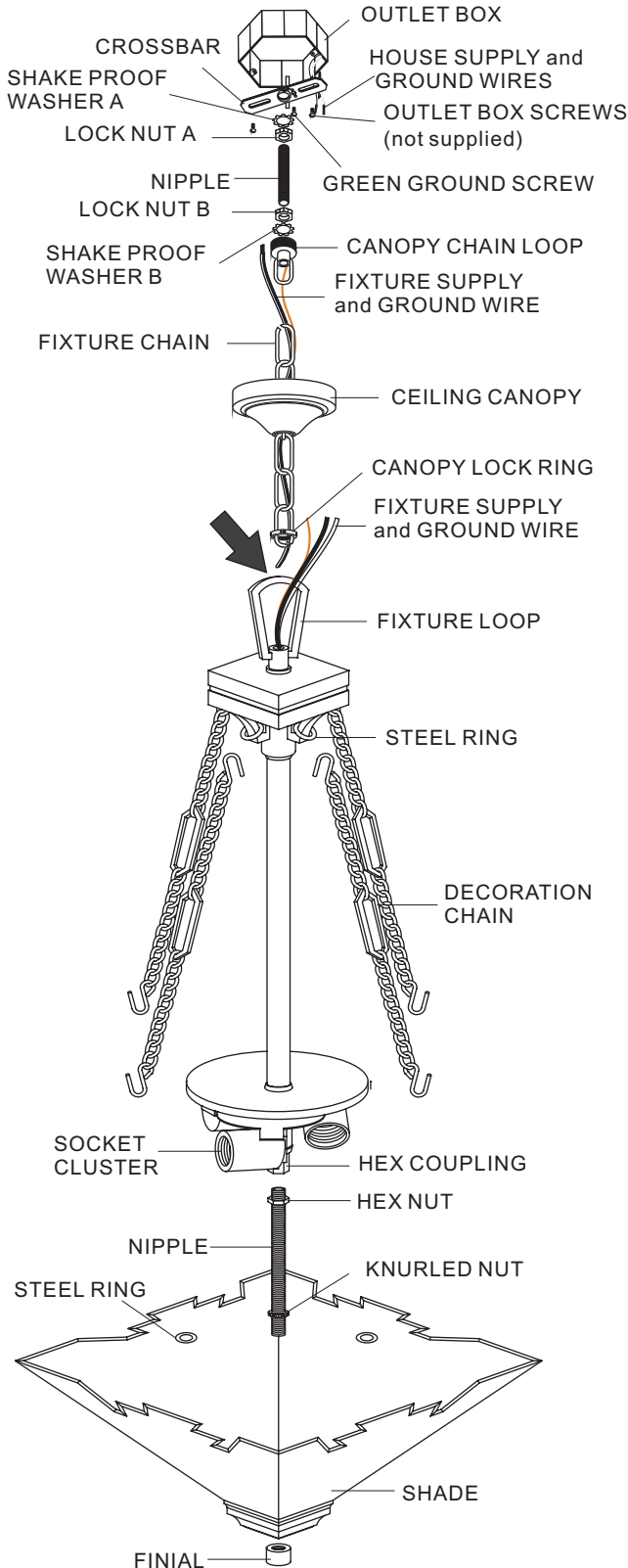


ASSEMBLY / INSTALLATION INSTRUCTIONS

FIGURE 1



1. Before beginning the installation, carefully unpack and identify all parts, referring to the illustration (FIGURE 1).
2. Turn power to the installation point OFF at circuit breaker.
3. Thread top end of NIPPLE into HEX COUPLING underside of SOCKET CLUSTER. Use plier, thread HEX NUT against HEX COUPLING and hand tighten until snug. Proceed to adjust KNURLED NUT to proper location for SHADE and FINIAL.
4. (Quoizel recommends 2 people for this step) Lift SHADE upward and make the hole on the bottom of it over end of NIPPLE. Attached one end of DECORATION CHAIN onto STEEL RING on the top side of fixture. Proceed to attach another end of CHAIN onto STEEL RING inside of SHADE. Thread FINIAL onto end of NIPPLE and hand tighten until snug.
5. Fasten the CROSSBAR to the OUTLET BOX with (2) OUTLET BOX SCREWS (not supplied). Proceed to thread LOCK NUT A and SHAKE PROOF WASHER A onto the top end of NIPPLE. Thread NIPPLE into the center of CROSSBAR. Locate the LOCK NUT B onto the bottom end of the NIPPLE. Tighten LOCK NUT A against CROSSBAR with plier until snug.
6. Locate the FIXTURE CHAIN and determine desired hanging height of fixture. Adjust chain by removing links if needed. Please note that depending on chain material thickness, you might be required to use chain pliers to spread links open. Proceed to attach one end of chain to FIXTURE LOOP, attached to top of fixture. Pass the fixture wires through FIXTURE CHAIN alternating links. Proceed to pass the fixture wires through the following mounting components in this order: 1) CANOPY LOCK RING; 2) CEILING CANOPY; 3) CANOPY CHAIN LOOP; 4) SHAKE PROOF WASHER B and LOCK NUT B; 5) NIPPLE; 6) LOCK NUT A and SHAKE PROOF WASHER A.
7. **Making the connections:** (2 people recommended for the remaining steps) Position the fixture under the ceiling mounted outlet box. Pass SHAKE PROOF WASHER B over the NIPPLE. Thread CANOPY CHAIN LOOP onto NIPPLE. Thread LOCK NUT B down the NIPPLE, against the CANOPY CHAIN LOOP and snug with pliers. Pass the wires through the NIPPLE. Take up wire slack and trim wires so that approx. 6" will remain inside outlet box. Proceed to attach the top of the FIXTURE CHAIN to the bottom of the CANOPY CHAIN LOOP. Using wire connectors (not supplied) connect the HOUSE GROUND WIRE to the FIXTURE GROUND WIRE; connect the HOUSE WHITE WIRE to the FIXTURE SUPPLY WIRE (WHITE or RIBBED SIDE); connect the HOUSE BLACK (or RED) WIRE to the FIXTURE SUPPLY WIRE (BLACK or SMOOTH SIDE). Wrap each connection with approved electrical tape.
8. With the proper connections made, proceed to push the CEILING CANOPY upward over the OUTLET BOX. Be sure that all wires are carefully tucked into the OUTLET BOX cavity. Secure canopy against ceiling by threading CANOPY LOCK RING onto the CANOPY LOOP. Tighten until snug.
9. Install bulbs referring to fixture markings and/or labels for maximum wattage.
10. Restore power to the installation point ON. Retain this sheet for future reference.

**IF IN DOUBT ABOUT ELECTRICAL INSTALLATION,
CONSULT A LICENSED ELECTRICIAN!**