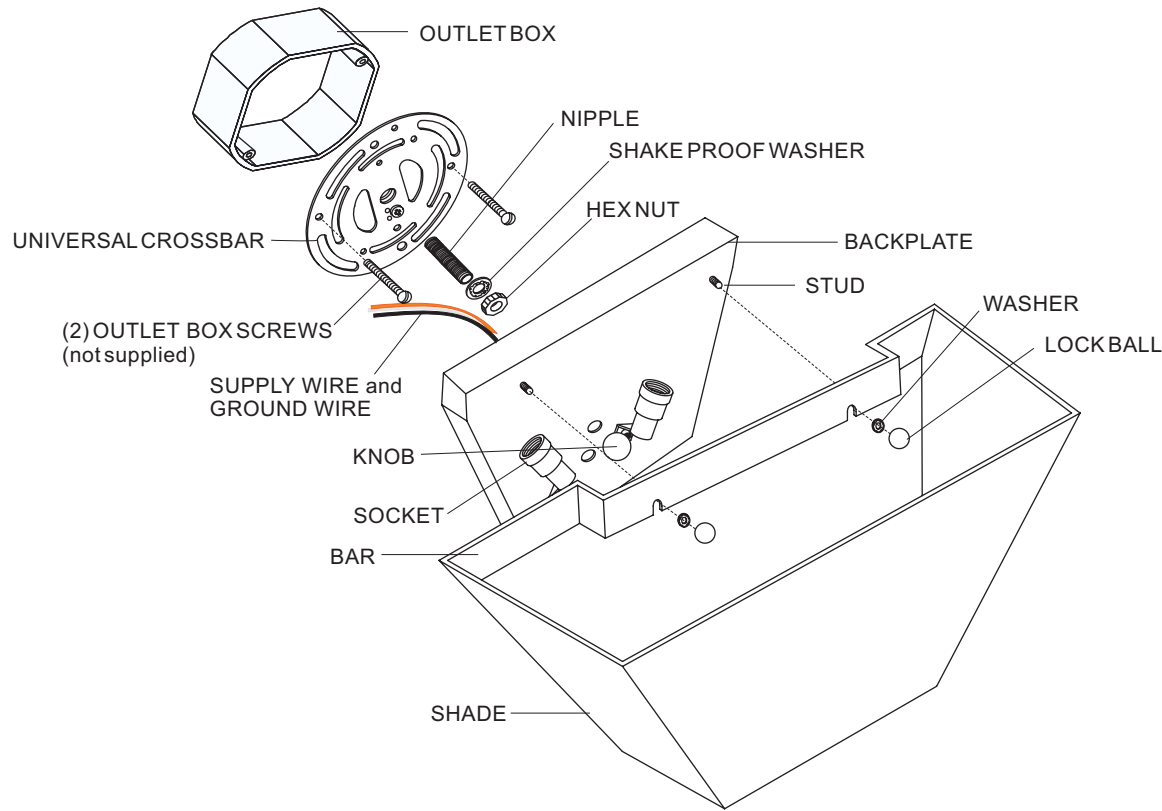


QUOIZEL

6 CORPORATE PARKWAY
GOOSE CREEK, SC. 29445
www. quoizel. com

INSTALLATION INSTRUCTIONS



1. Before beginning the installation, carefully unpack and identify all parts, referring to illustration.
2. Turn the electrical power to installation point OFF at circuit breaker.
3. Locate SHADE onto BACKPLATE by seating gaps on BAR onto the STUDS. Locate WASHERS over STUDS and thread LOCK BALLS onto the STUDS to secure them. Tighten until snug.
4. Locate the UNIVERSAL CROSSBAR and secure to OUTLET BOX with (2) OUTLET BOX SCREWS (not supplied). Thread the end of NIPPLE into the center of the UNIVERSAL CROSSBAR. Position the BACKPLATE over the outlet box. Proceed to locate SHAKE PROOF WASHER over the NIPPLE and thread the HEX NUT onto the NIPPLE. Pass the mounting hole on the center of BACKPLATE over the end of NIPPLE. There should be enough length protruding from mounting hole on the center of BACKPLATE. If the NIPPLE length is not long enough, thread the NIPPLE less into the center of UNIVERSAL CROSSBAR. Remove BACKPLATE and snug HEX NUT against UNIVERSAL CROSSBAR with pliers to secure the NIPPLE.
5. **Make the connections:** (Quoizel recommends 2 people for this step) Use wire connectors (not supplied) attach the HOUSE GROUND WIRE to the FIXTURE GROUND WIRE; connect the HOUSE WHITE WIRE to FIXTURE WHITE (or RIBBED SIDE) SUPPLY WIRE; connect the HOUSE BLACK (or RED) WIRE to the FIXTURE BLACK (or SMOOTH SIDE) WIRE. Wrap each connection with approved electrical tape.
6. Carefully tuck all wires into the WALL MOUNTED OUTLET BOX and position the BACKPLATE over the outlet box. Pass the BACKPLATE over the NIPPLE and secure against by threading KNOB onto the end of nipple. Tighten until snug.
7. Install bulbs referring to fixture markings and/or labels for maximum wattage.
8. Restore power to the installation point ON. Retain this sheet for future reference.

**IF IN DOUBT ABOUT ELECTRICAL INSTALLATION,
CONSULT A LICENSED ELECTRICIAN!**