

Tools Required: Flathead screwdriver, Phillips screwdriver, pliers, wire cutters, wire strippers, electrical tape, safety glasses.

Bulb Recommended: (3) G9 Xenon Clear bulbs (supplied), 40W Maximum

Estimated Assembly Time: 20-30 minutes

Preparation: Identify and inspect all parts before beginning installation. Check package content list and diagrams below to be sure all parts are present. If any parts are missing or damaged, do not attempt to assemble, install, or operate the fixture. Contact customer service for replacement parts.

⚠ Warnings and Cautions

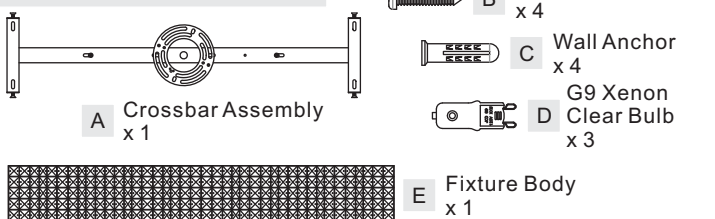
Turn off electricity at circuit breaker or main fuse box before installation. Consult a licensed electrician if in doubt.

These instructions are provided for your safety. It is very important you read them completely before installing the fixture. We strongly recommend that a licensed, professional electrician perform the installation.

Disconnect fixture from power source before replacing bulbs. Make sure bulbs are given sufficient time to cool before removal. Do not subject glass parts to any shock while in operation or shattering may result.

Do not touch the bulb with bare hands use a cloth or glove.

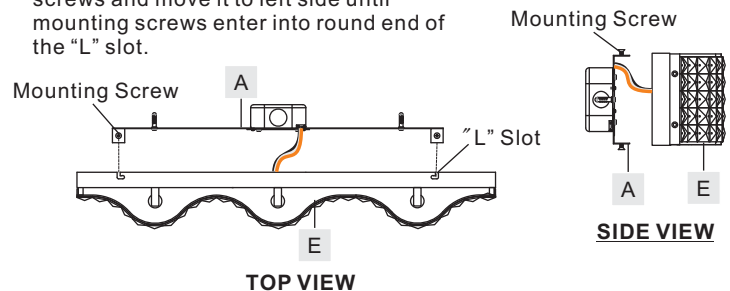
Package Contents



A. Use standard wire connectors (not included) to make all wire connections. (Connectors are not included with fixture.) Twist connectors until wires are tightly joined together. Wrap each connection with approved electrical tape and carefully stuff all the connected wires into the Outlet Box.

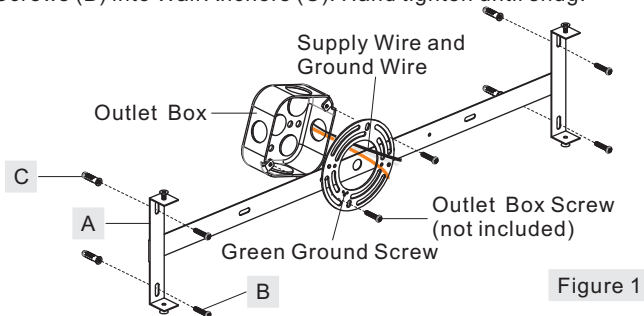
STEP 3 - Install Fixture Body

A. Place the backplate of the Fixture Body (E) over the outlet box and line up "L" slots on the top and bottom of the backplate to the mounting screws on the flat bar. Push the backplate over mounting screws and move it to left side until mounting screws enter into round end of the "L" slot.



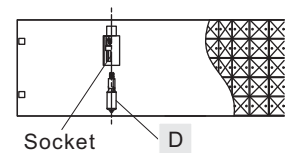
STEP 1 - Install Crossbar Assembly

- Attach the Crossbar Assembly (A) to the Outlet Box with the head of the Green Ground Screw facing you. Line up a set of holes on Crossbar to the mounting holes on the Outlet Box. With a pencil, mark two points from the holes on the Mounting Bar for Wall Anchors (C).
- Remove Crossbar Assembly (A). Drill proper holes at the marks for Wall Anchors (C). Insert Wall Anchors (C) into the drilled holes.
- Race supply wires and ground wires through the holes as shown. Attach Crossbar Assembly (A) back onto the Outlet Box and Wall Anchors. Secure by threading Outlet Box Screws (not supplied) into the mounting holes on the Outlet Box and threading Self-tapping Screws (B) into Wall Anchors (C). Hand tighten until snug.



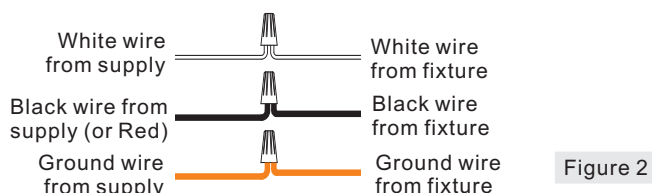
STEP 4 - Install Bulbs

- This fixture uses G9 Xenon clear bulb (E). Maximum 40 watts. Insert bulb and push snugly into place.
IMPORTANT: Do not touch the bulb with bare hands use a cloth or glove.



Your fixture is now assembled and ready to use. Enjoy!

STEP 2 - Wire Connections



CAUTION FOR BULB REPLACING

- When replace bulb, turn off power and allow lamp to cool. For safety purpose, wear gloves and eye protection.
- If bulb is scratched or cracked, DO NOT use the lamp to avoid breakage during use or installation.
- Use only in fixtures rated for lamps wattage and voltage.
- Lamp operate under high pressure generating intense heat. Prevent contact with liquid and combustible materials.

Thank you for purchasing a Quoizel product.
Need assistance with parts or assembly? Call Quoizel customer service at 1-631-273-2700
or visit us on-line at www. quoizel. com

PCAX8603C

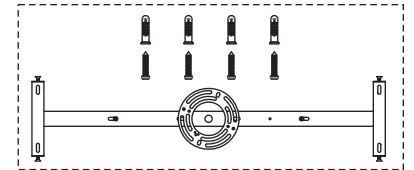
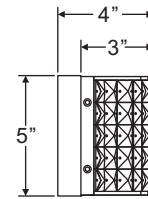
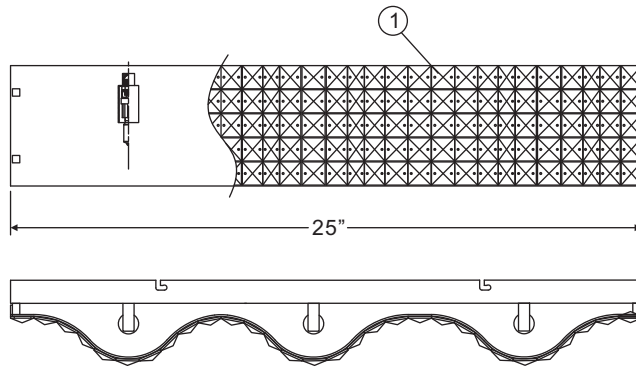
FINISH: POLISHED CHROME

NOTE: ALL DIMENSIONS ARE ROUNDED UP TO THE NEAREST 1/2"

2



(3) 40W Maximum
G9 Xenon Clear
Bulbs (Supplied)



NO.	PART NUMBER	REPLACEMENT PART	REQ.
1	G3666SH	CRYSTAL SHADE	1
2	I1202SC	G9 XENON CLEAR BULB	3

Thank you for purchasing a Quoizel product.
Need assistance with parts or assembly? Call Quoizel customer service at 1-631-273-2700
or visit us on-line at www.quoizel.com