

**Tools Required:** Flathead screwdriver, Phillips screwdriver, pliers, wire cutters, wire strippers, electrical tape, safety glasses.

**Bulb Recommended:** (3) Candelabra Base 60W Maximum

**Estimated Assembly Time:** 30-45 minutes

**Preparation:** Identify and inspect all parts before beginning installation. Check package content list and diagrams below to be sure all parts are present. If any parts are missing or damaged, do not attempt to assemble, install, or operate the fixture. Contact customer service for replacement parts.

**Note:** This fixture can be mounted as hanging or semi-flush. Refer to respective installation steps for installations.

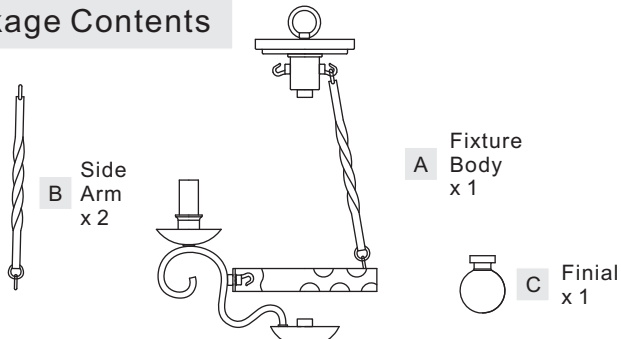
**⚠ Warnings and Cautions**

Turn off electricity at circuit breaker or main fuse box before installation. Consult a licensed electrician if in doubt.

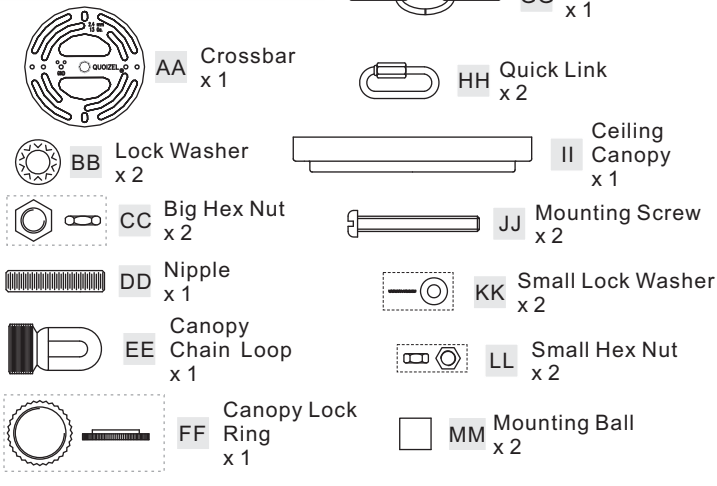
These instructions are provided for your safety. It is very important you read them completely before installing the fixture. We strongly recommend that a licensed, professional electrician perform the installation.

Disconnect fixture from power source before replacing bulbs. Make sure bulbs are given sufficient time to cool before removal. Do not subject glass parts to any shock while in operation or shattering may result.

**Package Contents**



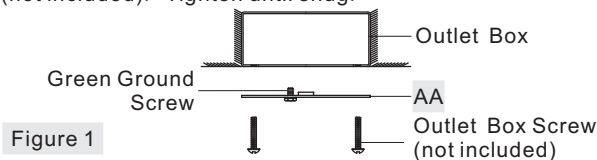
**Hardware Contents**



**FOR HANGING**

**STEP 1 – Install Crossbar**

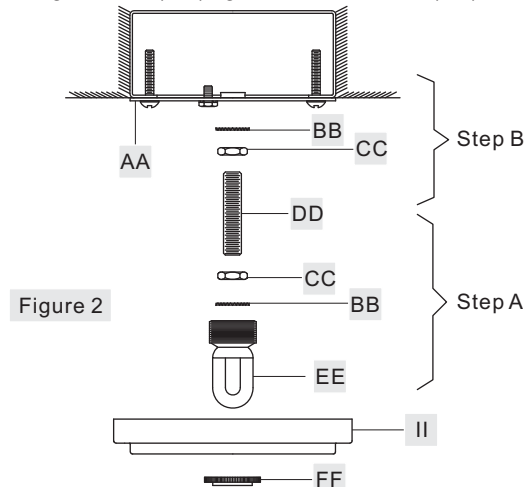
A. Attach the Crossbar (AA) to the Outlet Box with the head of the Green Ground Screw facing you. Secure it with Outlet Box Screws (not included). Tighten until snug.



**STEP 2 – Install Canopy Chain Loop and Nipple**

\* Pliers is required for this step.

- A. Thread one Big Hex Nut (CC) to one end of the Nipple (DD) until it is at least 0.25" from the end. Pass one Big Lock Washer (BB) over the end of the Nipple (DD) and thread the Canopy Chain Loop (EE) onto the Nipple (DD). By using pliers, thread the Big Hex Nut (CC) against the Canopy Chain Loop (EE) and hand tighten until snug.
- B. Thread another Big Hex Nut (CC) to the middle of the Nipple (DD). Place another Big Lock Washer (BB) over the Nipple (DD) and then thread the Nipple (DD) into the Crossbar (AA) until the Nipple (DD) is about 0.375" above the Crossbar (AA).
- C. Remove the Canopy Lock Ring (FF) from the Canopy Chain Loop (EE). Place the Ceiling Canopy (II) over the Canopy Chain Loop (EE) against the ceiling to determine the correct position of the Nipple (DD). Thread the Canopy Lock Ring onto the Canopy Chain Loop (EE). Adjust the Nipple (DD) to allow the Ceiling Canopy with Big Hole (HH) to rest against the ceiling when held in place by the Canopy Lock Ring (FF).
- D. Remove the Canopy Lock Ring (FF) and the Ceiling Canopy (II). Tighten the Big Hex Nut (CC) against the Crossbar (AA) to secure in place.



**STEP 3 – Install Side Arm and Fixture Body together**

- A. Attach have one loop end of Side Arm (B) onto the hook on the top of Fixture Body (A), have two loops end of Side Arm (B) onto the lower hook on the Fixture Body(A).
- B. Thread Finial (C) onto the nipple on the bottom of Fixture Body (A), hand tighten until snug.

**Thank you for purchasing a Quoizel product.**  
**Need assistance with parts or assembly? Call Quoizel customer service at 1-631-273-2700**  
**or visit us on-line at www.quoizel.com**

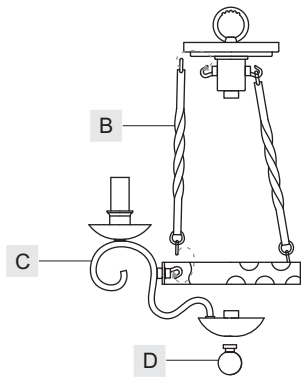


Figure 3

#### STEP 4 - Install Fixture Chain and Ceiling Canopy

- Adjust the Fixture Chain (GG) to your desired length by removing the links if needed.  
\* Pliers is required for this step.
- With the Fixture Chain (GG) not attached to the Fixture Loop (A) and the Canopy Chain Loop (EE), pull the supply wires through the Fixture Chain (GG) alternating links. After the wires are through the Fixture Chain (GG), pull the Supply Wires and the Ground Wire through the Canopy Lock Ring (FF) and the Ceiling Canopy (II) in order.
- Attach one end of the Fixture Chain (GG) to the Fixture Loop (A) with one Quick Link (HH). Lift the fixture and Fixture Chain (GG) up And Attach the other end of the Fixture Chain (GG) onto the Canopy Chain Loop (EE) with another Quick Link (HH). The fixture will now hang safely. Close the chain loop at the Ceiling Canopy Loop (EE).
- Feed the Supply Wires and Ground Wire through the Canopy Chain Loop (EE) and Nipple (DD) into the Outlet Box. Cut the wires leaving approximately 8" of wire extending from the Outlet Box.
- Refer to Step 5 for wire connections.
- Raise the Ceiling Canopy (II) and Canopy Lock Ring (FF) up the Fixture Chain (GG) and over the Canopy Chain Loop (EE). Tighten the Canopy Lock Ring (FF) onto the Canopy Chain Loop (EE) until tight.

Suggested chain length for Ceiling height :  
 8' ceiling : use 9 links of chain and 2 quick links  
 9' ceiling : use 19links of chain and 2 quick links  
 10' ceiling : use 29 links of chain and 2 quick links

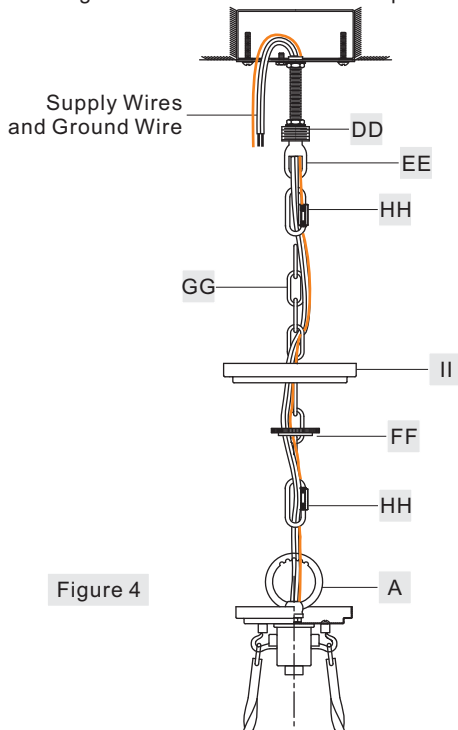


Figure 4

#### STEP 5 - Wire Connections

- Use standard wire connectors (not included) to make all wire connections. (Connectors are not included with fixture.) Twist connectors until wires are tightly joined together. Wrap each connection with approved electrical tape and carefully stuff all the connected wires into the Outlet Box.

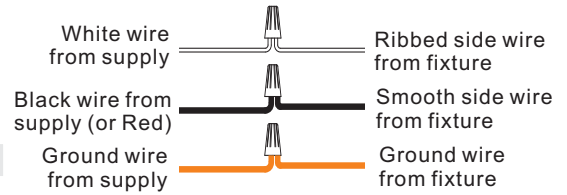


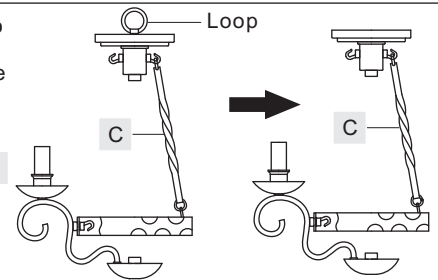
Figure 5

#### FOR SEMI-FLUSH

#### STEP 6 - Remove the Loop

- Remove the Loop from the top of the Fixture Body (C).

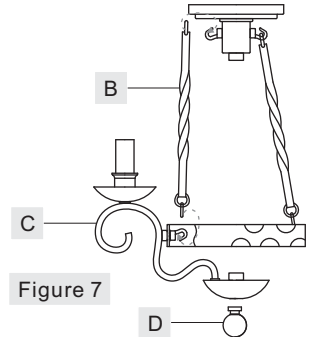
Figure 6



#### STEP 7 - Install Fixture Loop, Side Arm and Fixture Body together

- Attach have one loop end of Side Arm (B) onto the hook on the top of Fixture Body (A), have two loops end of Side Arm (B) onto the lower hook on the Fixture Body (A).
- Thread Finial (C) onto the nipple on the bottom of Fixture Body (A), hand tighten until snug.

Figure 7



#### STEP 8 - Install Crossbar and Mounting Screws

- Attach the Crossbar (AA) to the Canopy and line up a set of mounting holes on the Crossbar (AA) to holes on the Canopy. Thread Mounting Screws (JJ) into the holes. Pass Small Lock Washers (KK) and thread Small Hex Nuts (LL) onto Mounting Screws (JJ). Tighten until snug.
- Pass the supply wires through the Crossbar (AA). Attach the Crossbar (AA) to the Outlet Box with the head of the Green Ground Screw facing you. Secure it with Outlet Box Screws (not included). Tighten until snug.
- Fit the Canopy to Mounting Screws (JJ) and secure with Mounting Balls (MM). Note: The Canopy should be snug against the ceiling and the Mounting Balls (MM). If not, adjust the length of Mounting Screws (JJ) by unscrewing the assembled Small Hex Nut (LL) and Small Lock Washer (KK) and then screwing the Mounting Screws (JJ) in or out of the Crossbar (AA) until the correct length is achieved. Once the Ceiling Canopy with Small Hole (II) is secure, remove the Mounting Ball (MM) and Canopy and proceed to Step 9.

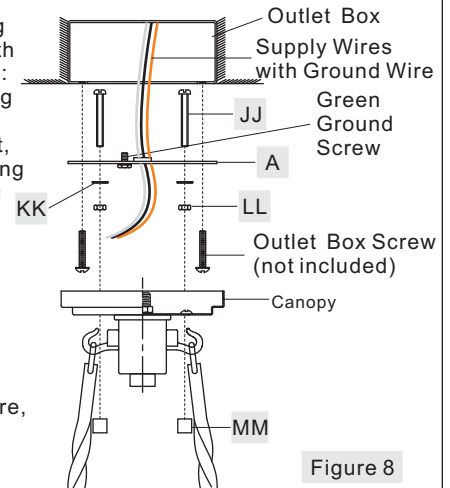


Figure 8

Thank you for purchasing a Quoizel product.  
 Need assistance with parts or assembly? Call Quoizel customer service at 1-631-273-2700  
 or visit us on-line at [www.quoise.com](http://www.quoise.com)

**STEP 9 - Wire Connections**

A. Use standard wire connectors (not included) to make all wire connections. (Connectors are not included with fixture.) Twist connectors until wires are tightly joined together. Wrap each connection with approved electrical tape and carefully stuff all the connected wires into the Outlet Box.

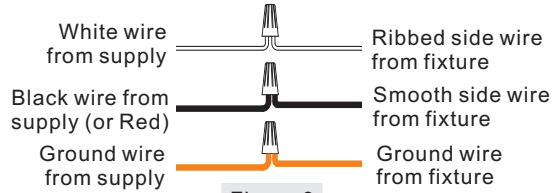


Figure 9

**STEP 10 - Install Fixture to Ceiling**

A. Carefully tuck all wires into the outlet box and position the Canopy over the outlet box. Align the holes in the Canopy with Mounting Screws (JJ), then attach the Canopy using Mounting Balls (MM). Hand tighten until snug.  
 B. Continue Step 10 to complete the rest installations.

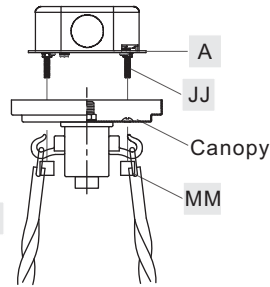


Figure 10

**STEP 11 - Install Bulb**

A. This fixture uses candelabra bulb with standard screw base. Maximum 60 watts.  
 B. Insert bulb and screw snugly into place.

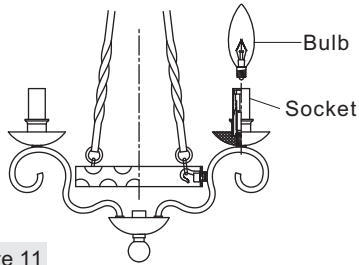
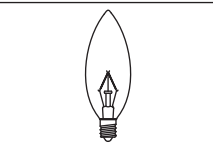
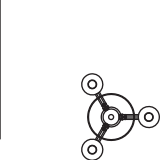
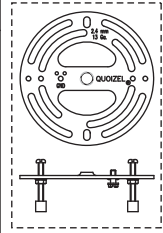
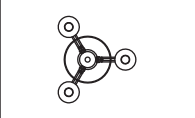
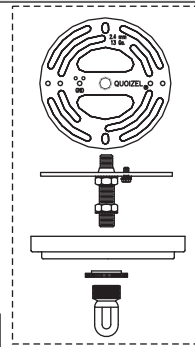


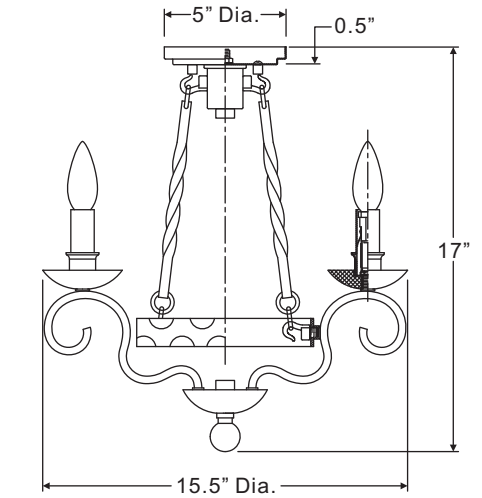
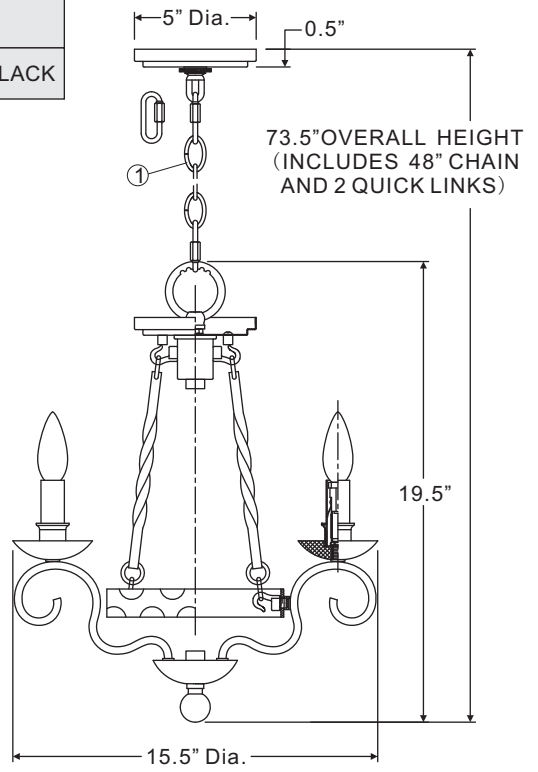
Figure 11

Your fixture is now assembled and ready to use. Enjoy!

NBE5303RK  
 FINISH: RUSTIC BLACK



(3) 60W Candelabra Base Bulbs (Not Supplied)



NOTE: TWO LIGHTS SHOWN FOR ILLUSTRATION PURPOSES ONLY.

NOTE: ALL DIMENSIONS ARE ROUNDED UP TO THE NEAREST 1/2"

NO.	PART NUMBER	REPLACEMENT PART	REQ.
1	M2450CHRK	CHAIN	1

Thank you for purchasing a Quoizel product.  
 Need assistance with parts or assembly? Call Quoizel customer service at 1-631-273-2700  
 or visit us on-line at [www.quoise.com](http://www.quoise.com)