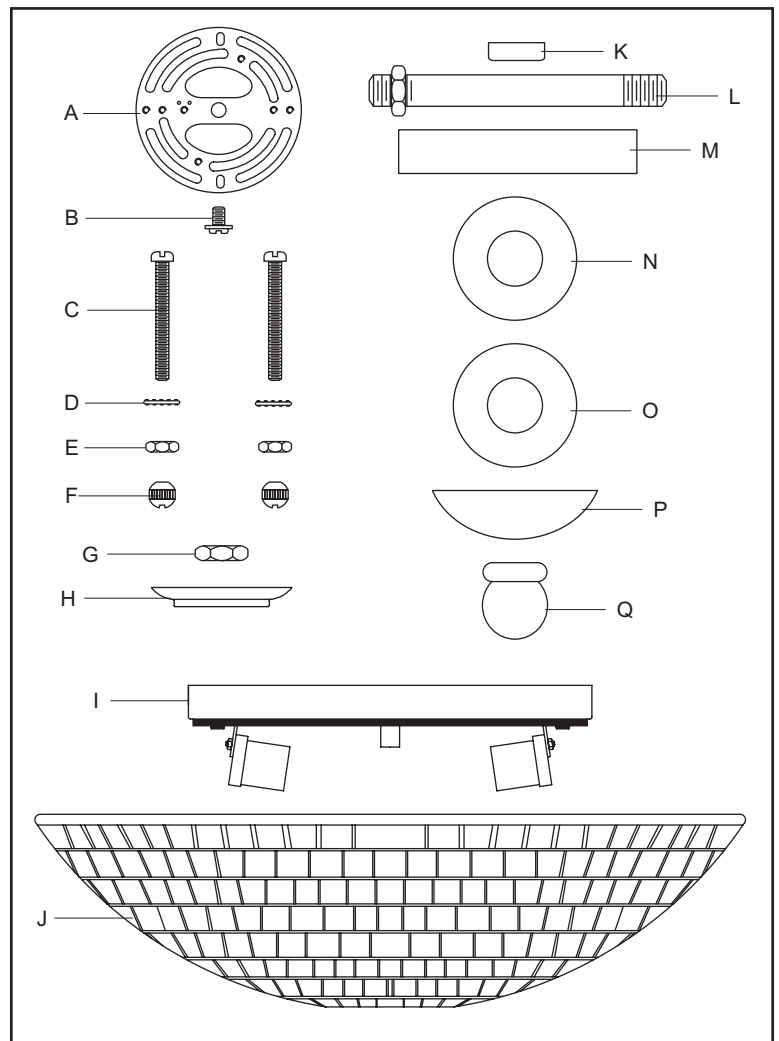


**PACKAGE CONTENTS**

ISSUED 09-2009

Revised 2010-01-19

Part	Description	Quantity
A	Crossbar	1pc
B	Green Ground Screw	1pc
C	Mounting Screws	2pcs
D	Lock Washer	2pcs
E	Hex Nut	2pcs
F	Mounting Ball	2pcs
G	Hex Nut	1pc
H	Shade Stop	1pc
I	Ceiling Canopy	1pc
J	Shade	1pc
K	Check Ring	1pc
L	Stem with Hex Nut	1pc
M	Spacer Tube	1pc
N	Plastic Washer	1pc
O	Flat Washer	1pc
P	Cap	1pc
Q	Finial	1pc



**! WARNINGS AND CAUTIONS**

**WARNING:**

- Before beginning the installation, turn off electricity at the circuit breaker box or the main fuse box by switching off the circuit breaker or removing the fuse.

**CAUTION:**

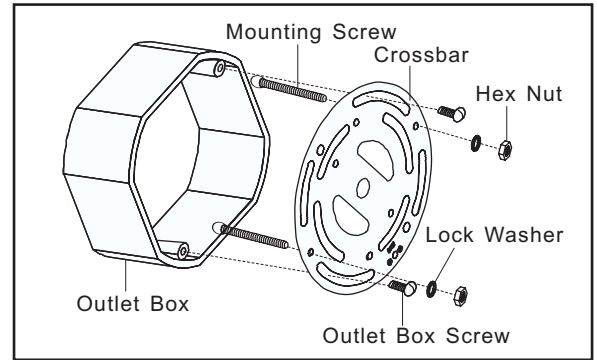
- These instructions are provided for your safety. It is very important that they are read completely before the installation of your fixture. We strongly recommend that a professional electrician install the fixture.
- Disconnect fixture from the power source before replacing the bulb(s), making sure the bulb(s) had sufficient time to cool down. DO NOT subject the lamp to any shock while lit as shattering of lamp may result.

**PREPARATION**

- Before beginning installation of product, make sure all parts are present. Compare parts with package contents list and diagram above. If any part is missing or damaged, do not attempt to assemble, install or operate the product. Contact customer service for replacement part.
- Estimated Assembly Time : 20 - 30 minutes
- Tools Required for Assembly (not included) : Flathead Screwdriver, Phillips Screwdriver, Pliers, Electrical Tape, Wire Cutters, Safety Glasses & 4, 60 Watt, Type - A Medium Base Bulbs.
- Helpful Tools (not included) : Wire Strippers.

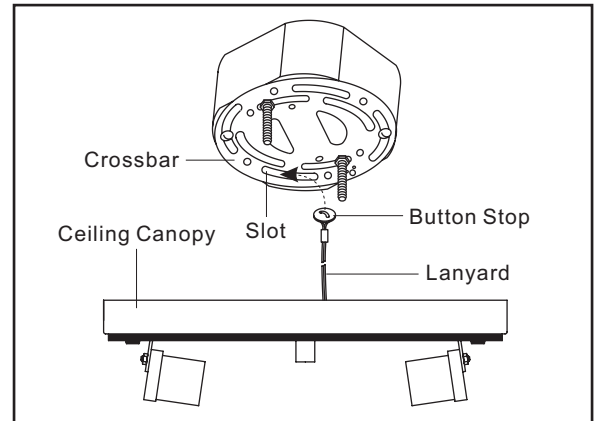
**STEP 1 :**

- a. Screw the Mounting Screws into the Crossbar, place the Lock Washers over the Mounting Screws and thread the Hex Nuts onto the Mounting Screws as shown. Secure the position of the Mounting Screws by tightening the Hex Nuts against the Crossbar.
- b. Secure the Crossbar to the Outlet Box with Outlet Box Screws.



**STEP 2 :**

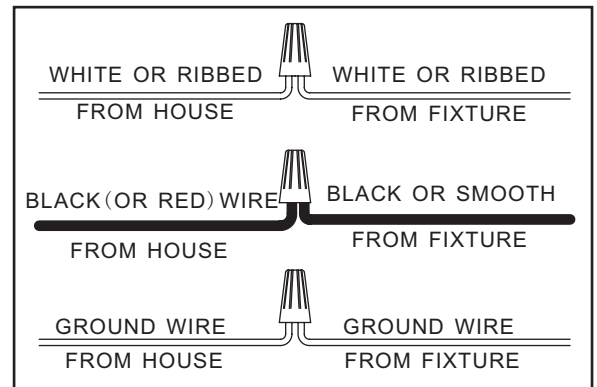
- a. Locate the Ceiling Canopy onto the Crossbar and slip the Button Stop on the end of Lanyard into the Slot on the Crossbar as shown.



**STEP 3 :**

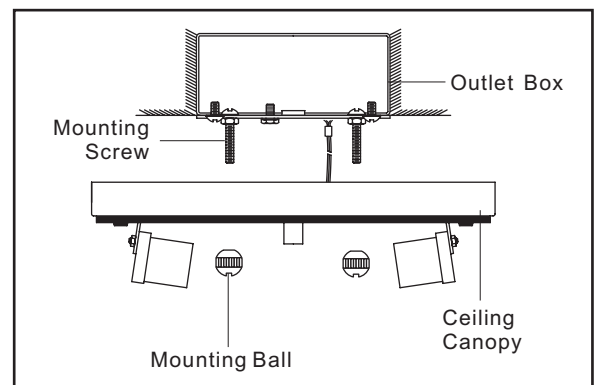
\*Use Wire Connectors (not supplied) to connect the wires.

- a. Connect the House Ground Wire to the Fixture Ground Wire.
- b. Connect the House White (or Ribbed) Wire to the Fixture Supply Wire (White or Ribbed Side).
- c. Connect the House Black (or Red) Wire to the Fixture Supply Wire (Black or Smooth Side).
- d. Wrap each connection with approved electrical tape and carefully stuff all of the connected wires into the Outlet Box.



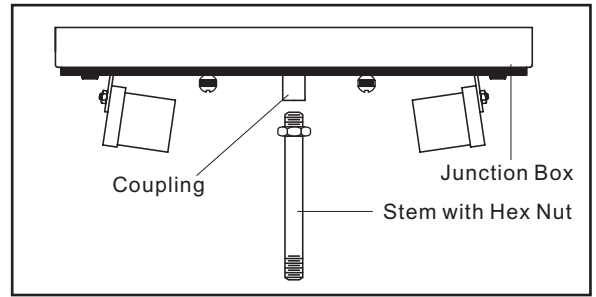
**STEP 4 :**

- a. Place the Ceiling Canopy onto Outlet Box aligning 2 holes in the Ceiling Canopy with 2 Mounting screws threaded on the Crossbar and secure it against wall with Mounting Balls.



**STEP 5 :**

- a. Screw the Hex Nut end of the Stem into the Coupling underside of the Ceiling Canopy. Hand tighten until snug.

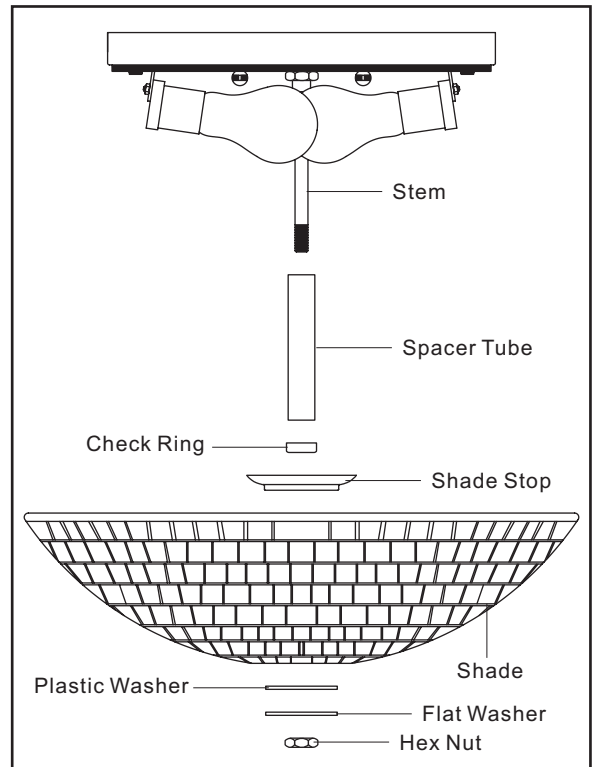


**STEP 6 :**

- a. Install correct bulbs referring to fixture markings and/or labels for maximum wattage.

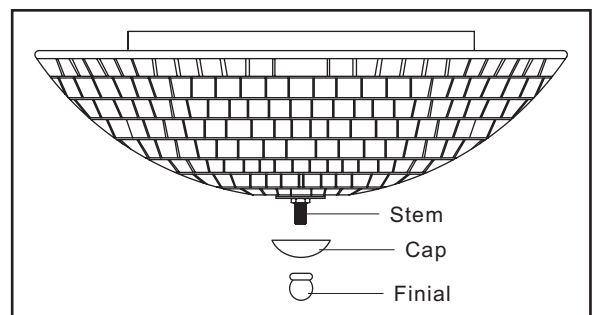
**STEP 7 :**

- a. Pass the following components over the end of the Stem in turn:  
 Spacer Tube, Check Ring, Shade Stop, Shade, Plastic Washer and Flat Washer.  
 Secure by threading the Hex Nut onto the end of the Stem and hand tighten until snug.



**STEP 8 :**

- a. Pass the Cap over the end of the Stem and secure with the Finial. Hand tighten until snug.



Your installation is completed now. Restore electricity. Retain this sheet for future reference.