

Please go to [www. quozel. com](http://www. quozel. com) for product cleaning tips. Go to the **Care + Maintenance** selection.

**Tools Required:** Flathead screwdriver, Phillips screwdriver, pliers, wire cutters, wire strippers, electrical tape, safety glasses.

**Bulb Recommended:** (3) Candelabra Base 60W Maximum, Alternate bulb (3) 13W CFL

**Estimated Assembly Time:** 30-45 minutes

**Preparation:** Identify and inspect all parts before beginning installation. Check package content list and diagrams below to be sure all parts are present. If any parts are missing or damaged, do not attempt to assemble, install, or operate the fixture. Contact customer service for replacement parts.

**Fixture can only be mounted in the direction indicated on page 2.**

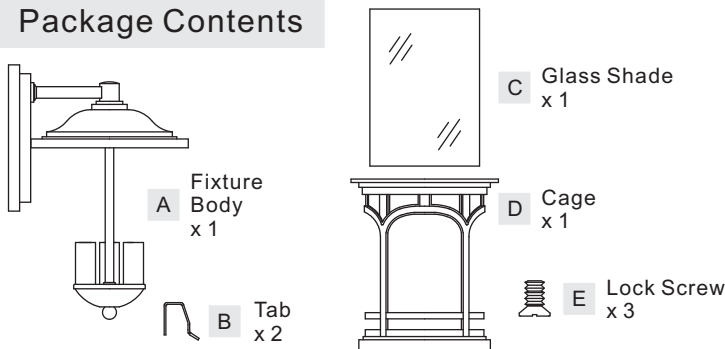
## ⚠ Warnings and Cautions

Turn off electricity at circuit breaker or main fuse box before installation. Consult a licensed electrician if in doubt.

These instructions are provided for your safety. It is very important you read them completely before installing the fixture. We strongly recommend that a licensed, professional electrician perform the installation.

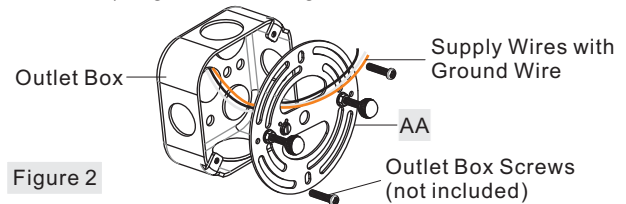
Disconnect fixture from power source before replacing bulbs. Make sure bulbs are given sufficient time to cool before removal. Do not subject glass parts to any shock while in operation or shattering may result.

## Package Contents

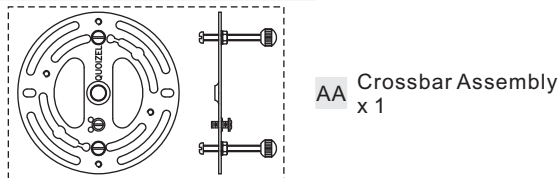


## STEP 2 - Install Inner Backplate

A. Pass the supply wires through the Crossbar Assembly (AA). Attach the Crossbar Assembly (AA) to the Outlet Box with the head of the Green Ground Screw facing you. Secure it with Outlet Box Screws (not included). Tighten until snug.

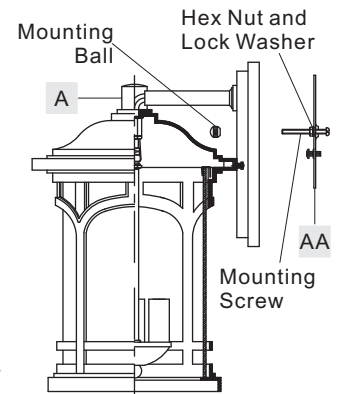


## Hardware Contents



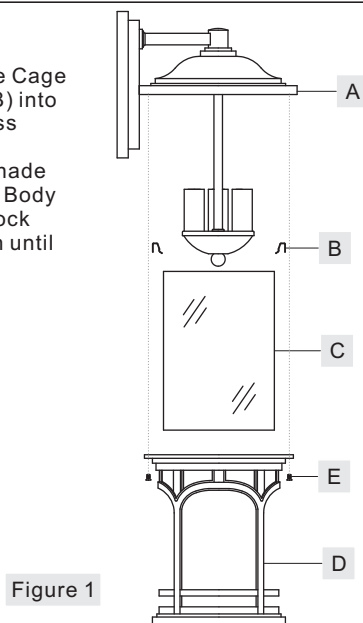
## STEP 3 - Fit Fixture Body to Crossbar Assembly

A. Remove mounting balls from the Crossbar Assembly (AA). Fit the Fixture Body (A) Crossbar Assembly (AA) and secure with mounting balls. Note: The backplate of the Fixture Body (A) should be snug against the wall surface and the mounting balls. If not, adjust the length of the nipple on the Crossbar Assembly (AA) by unscrewing the preassembled hex nut and lock washer and then screwing the mounting screws in or out of the crossbar until the correct length is achieved. Once the backplate of the Fixture Body (A) is secure, remove the mounting ball and Fixture Body (A) and proceed to Step 4.



## STEP 1 - Install Shade

- Place Glass Shade (C) into the Cage (D), secure by place the Tab (B) into the Cage (D) press on the Glass Shade (C).
- Set the Cage (D) with Glass Shade (C) into the Cap on the Fixture Body (A), secure by threading the Lock Screw (E) into the Cap, tighten until snug.



## STEP 4 - Wire Connections

A. Use standard wire connectors (not included) to make all wire connections. (Connectors are not included with fixture.) Twist connectors until wires are tightly joined together. Wrap each connection with approved electrical tape and carefully stuff all the connected wires into the Outlet Box.

**Thank you for purchasing a Quoizel product.**  
**Need assistance with parts or assembly? Call Quoizel customer service at 1-631-273-2700**  
**or visit us on-line at [www. quozel. com](http://www. quozel. com)**

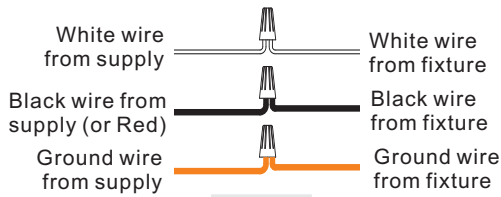


Figure 4

**STEP 5 – Install Fixture Body**

A. Carefully tuck all wires into the outlet box and position the backplate of fixture body (A) over the outlet box. Align the holes in the backplate with the mounting screws. Place caulk (not supplied) into the previously removed mounting balls and then attach fixture body (A) using the mounting balls. Hand tighten until snug.

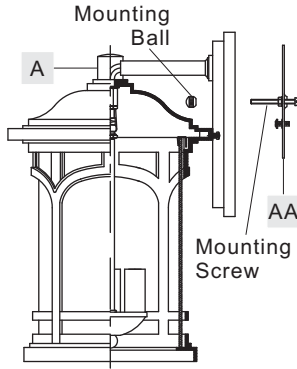


Figure 5

**STEP 6 – Install Bulb**

A. This fixture uses candelabra bulb with a candelabra screw base. Maximum 60 watts.  
 B. Insert bulb and screw snugly into place.

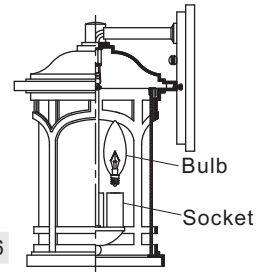


Figure 6

**STEP 7 – Apply Silicone Sealer**

A. Make sure exterior wall surface and fixture backplate are free of dirt before applying caulk. Using exterior grade caulk, caulk over top of backplate and down other side. Do not caulk bottom of fixture backplate to ensure proper moisture drainage.

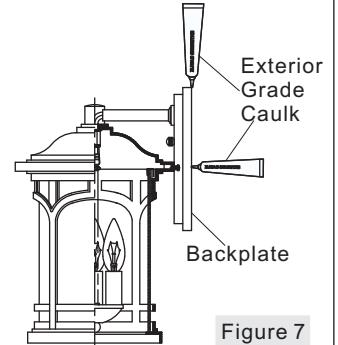
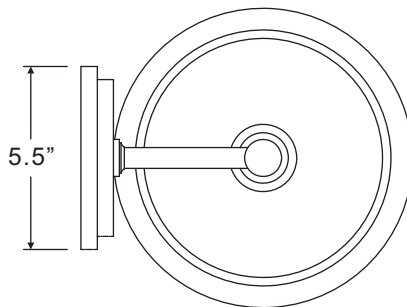
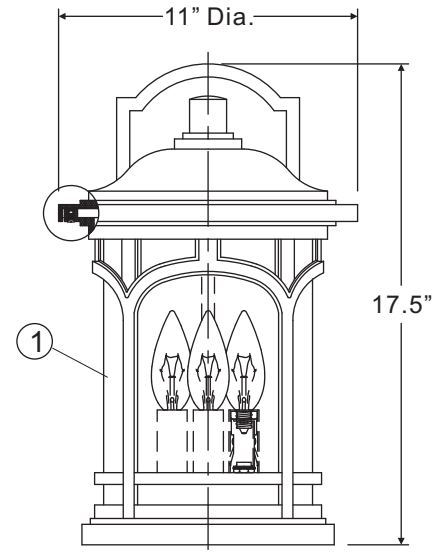
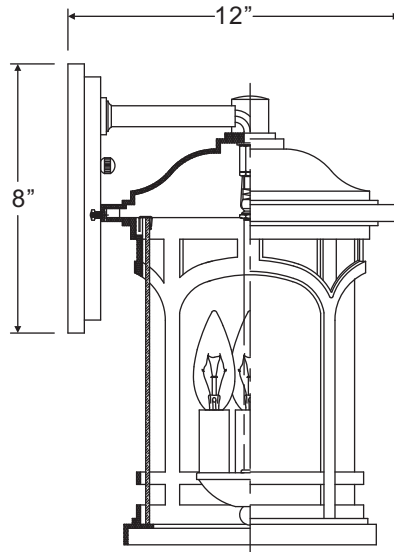
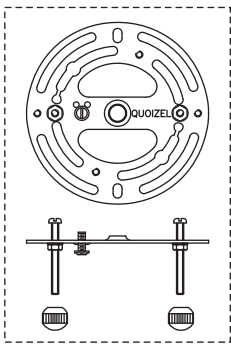


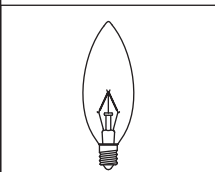
Figure 7

MBH8411PN  
 MBH8411K

FINISH: PALLADIAN BRONZE  
 MYSTIC BLACK



NOTE: ALL DIMENSIONS ARE ROUNDED UP TO THE NEAREST 1/2"



(3) 60W Candelabra base bulbs (Not Supplied)

NO.	PART NUMBER	REPLACEMENT PART DESCRIPTION	REQ.
1	G3842SH	GLASS CLEAR SEEDY	1

Thank you for purchasing a Quoizel product.  
 Need assistance with parts or assembly? Call Quoizel customer service at 1-631-273-2700 or visit us on-line at [www.quoise.com](http://www.quoise.com)