

# Assembly Instruction Sheet #IS-KY5009IN

## For Style KY5009IN

Quozel, Inc.  
 6 Corporate Parkway  
 Goose Creek, SC  
 29445

Customer Service  
 Phone 631.273.2700  
 Fax 631.231.7102  
 www. quozel. com

**Tools Required:** Flathead screwdriver, Phillips screwdriver, pliers, wire cutters, wire strippers, electrical tape, safety glasses.

**Bulb Recommended:** (9) Medium Base 100W Maximum

**Estimated Assembly Time:** 35-40 minutes

**Preparation:** Identify and inspect all parts before beginning installation. Check package content list and diagrams below to be sure all parts are present. If any parts are missing or damaged, do not attempt to assemble, install, or operate the fixture. Contact customer service for replacement parts.

### Warnings and Cautions

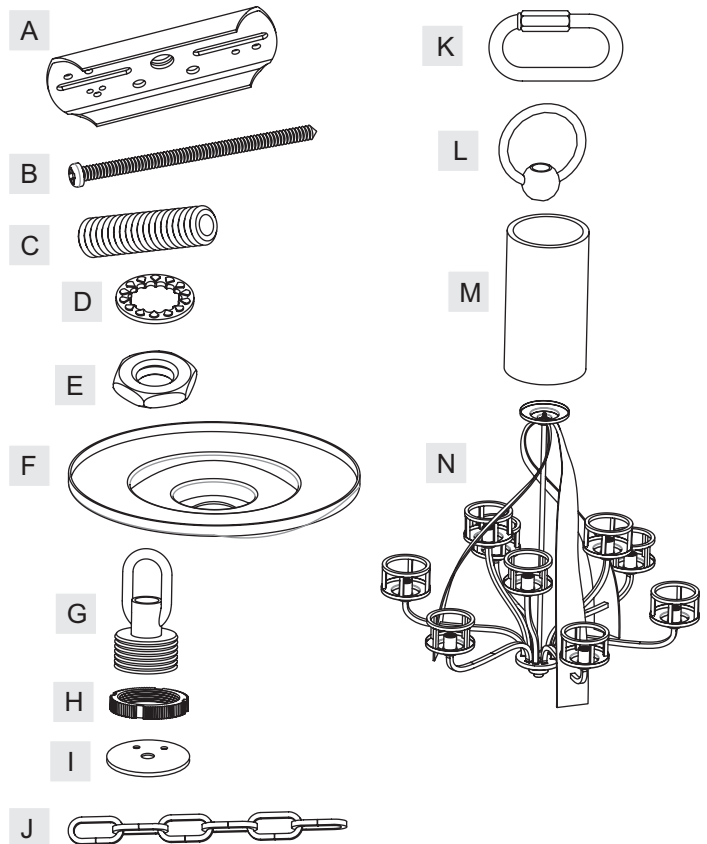
Turn off electricity at circuit breaker or main fuse box before installation. Consult a licensed electrician if in doubt.

These instructions are provided for your safety. It is very important you read them completely before installing the fixture. We strongly recommend that a licensed, professional electrician perform the installation.

Disconnect fixture from power source before replacing bulbs. Make sure bulbs are given sufficient time to cool before removal. Do not subject glass parts to any shock while in operation or shattering may result.

## Package Contents

Part	Description	Quantity
A	Crossbar	1 pc.
B	Mounting Screw	2 pcs.
C	Nipple	1 pc.
D	Lock Washer	2 pcs.
E	Hex Nut	2 pcs.
F	Ceiling Canopy	1 pc.
G	Canopy Chain Loop	1 pc.
H	Canopy Lock Ring	1 pc.
I	Tuck Washer	1 pc.
J	Fixture Chain	1 pc.
K	Quick Link	2 pcs.
L	Fixture Loop	1 pc.
M	Shade	9 pcs.
N	Fixture Assembly	1 pc.

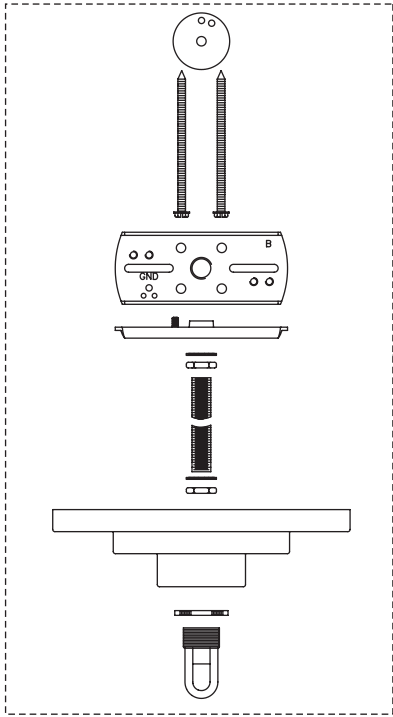


Thank you for purchasing a Quozel product.

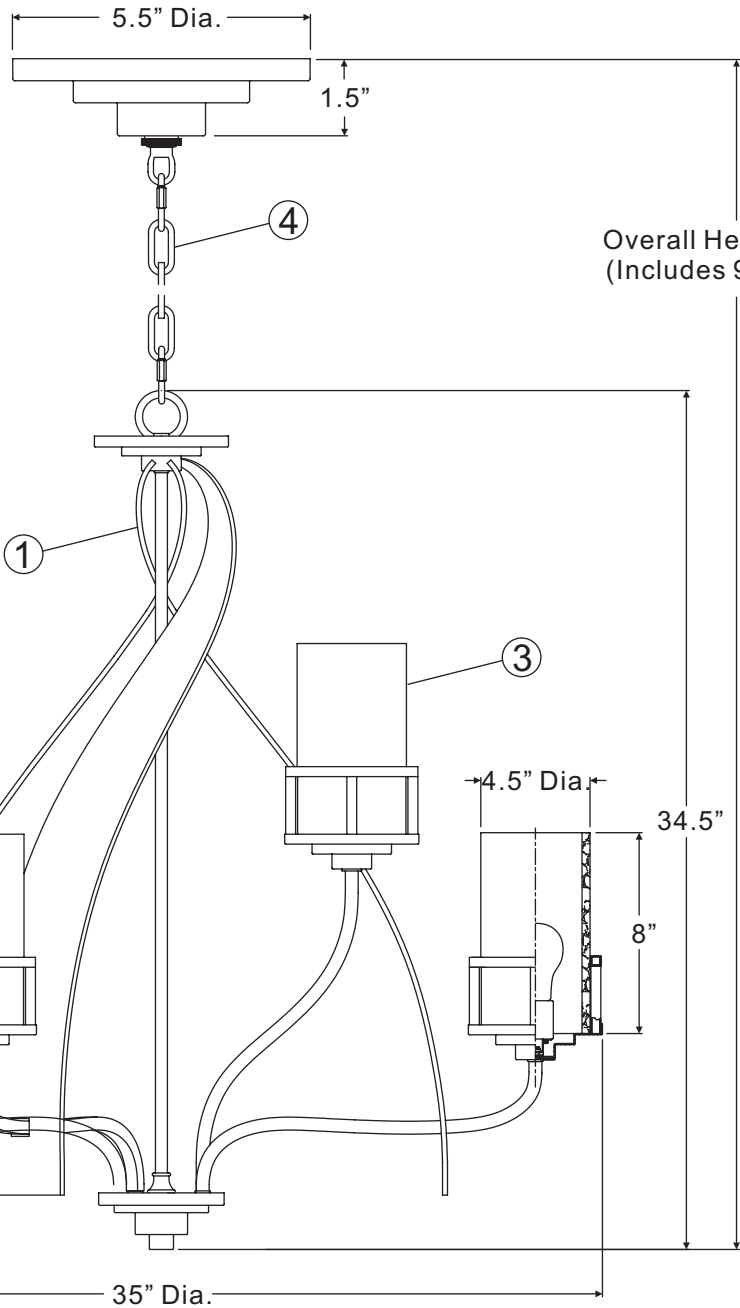
Need assistance with parts or assembly? Call Quozel customer service at 1-631-273-2700 or visit us on-line at [www. quozel. com](http://www. quozel. com)

KY5009IN

FINISH: IRON GATE

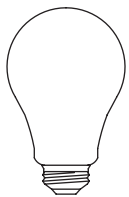


2



Overall Height 136.5"  
(Includes 96" Chain)

NOTE: FOUR LIGHTS SHOWN FOR ILLUSTRATION PURPOSES ONLY.



(9)100W Medium Base Bulbs  
(Not Supplied)

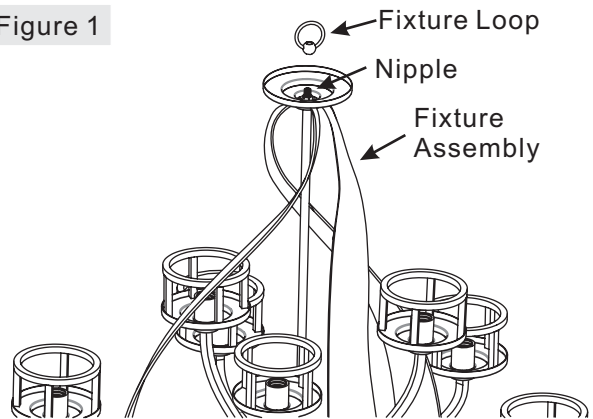
NOTE: ALL DIMENSIONS ARE ROUNDED UP TO THE NEAREST 1/2"

NO.	PART NUMBER	REPLACEMENT PART DESCRIPTION	REQ.
1	15009INKY	BASE KY5009IN	1
2	9561KIT	MOUNTING HARDWARE/CANOPY IRON GATE 5.5"D	1
3	G3325SH	SHADE WHITE ONYX 4.5"D X 8"H	9
4	M2354CHIN	SQUARE CHAIN IRON GATE 6MM X 4'	1

**STEP 1 – Attach Fixture Loop to Fixture Assembly**

- A. Thread the Fixture Loop (L) on to the Nipple on the top of Fixture Assembly (N). Tighten until snug.

Figure 1



**STEP 2 – Attach Nipple to Crossbar**

- A. Thread one Hex Nut (E) onto top end of the Nipple (C).  
 B. Place one Lock Washer (D) over the top end of the Nipple (C) and then thread the Nipple (C) into the center hole of the Crossbar (A). Hand tighten until snug.  
 C. Using pliers, thread the Hex Nut (E) against the Crossbar (A) and hand tighten until snug.

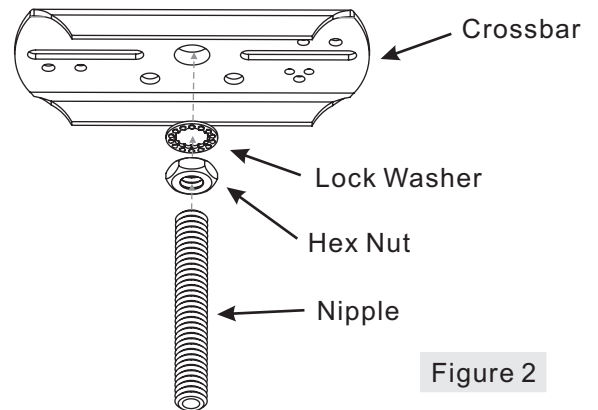


Figure 2

**STEP 3 – Attach Crossbar to Outlet Box**

- A. Drill a 5/8" diameter clearance hole on the top inside center of the Outlet Box and through the Structural Support Member.  
 B. Place Crossbar (A) onto the Outlet Box and line up Mounting Holes with a set of holes on Crossbar (A).  
 C. Thread Outlet Box Screws into the Mounting Holes on the Outlet Box and tighten until snug to secure the Crossbar.  
 D. Using a screwdriver, thread Mounting Screws (B) into the Structural or Bridging Member and tighten until snug.

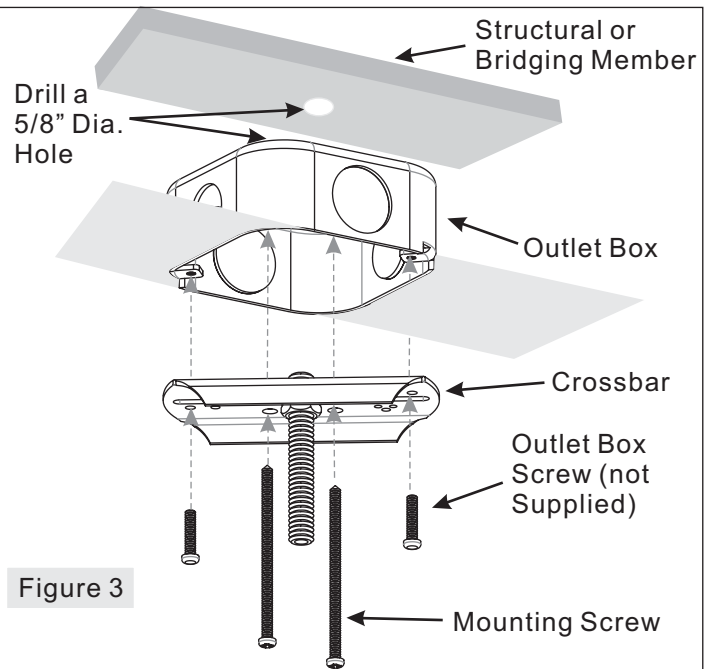


Figure 3

**Thank you for purchasing a Quoizel product.**  
**Need assistance with parts or assembly? Call Quoizel customer service at 1-631-273-2700**  
**or visit us on-line at [www. quozel. com](http://www. quozel. com)**

### STEP 4 – Attach Canopy Chain Loop to Nipple

- Thread another Hex Nut (E) onto the end of the Nipple (C).
- Place the Lock Washer (D) over the end of the Nipple (C) and then thread the Canopy Chain Loop (G) onto the end of the Nipple (C).
- Using pliers, thread the Hex Nut (E) against the Canopy Chain Loop (G) and hand tighten until snug.

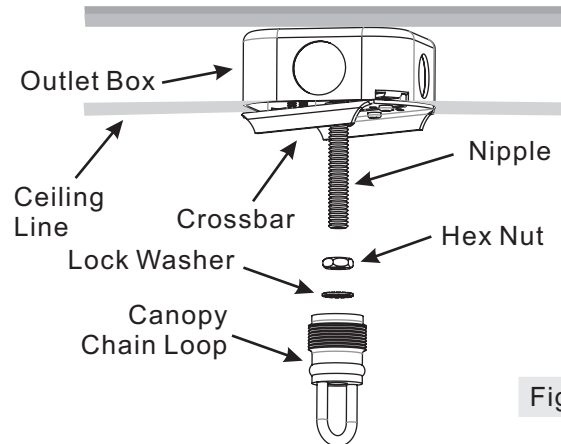


Figure 4

### STEP 5 – Assemble Ceiling Canopy

- Push the Ceiling Canopy (F) upward over the Outlet Box. Thread the Canopy Lock Ring (H) onto the Canopy Chain Loop (G) and tighten until snug to secure the Ceiling Canopy (F).

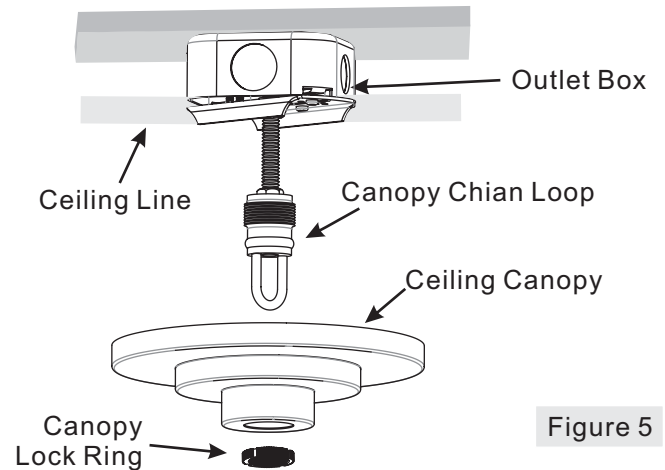


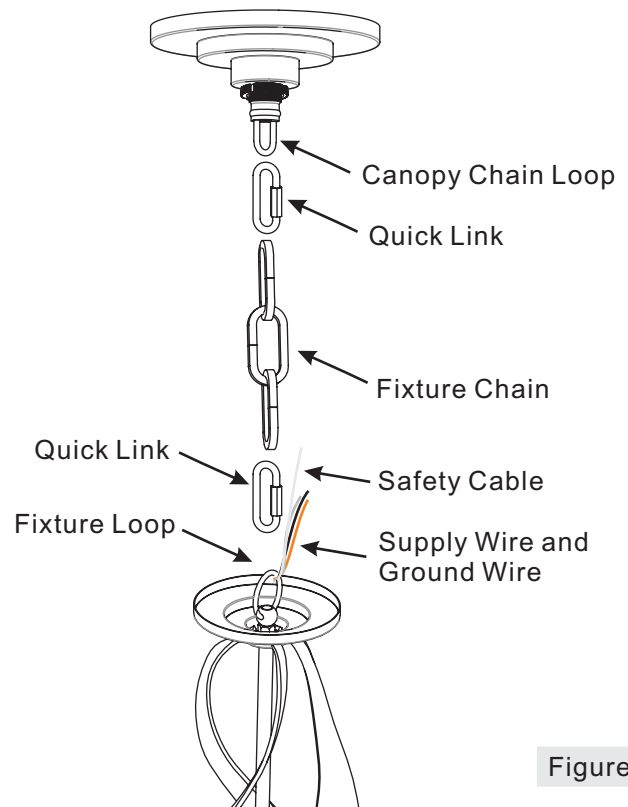
Figure 5

Thank you for purchasing a Quoizel product.

Need assistance with parts or assembly? Call Quoizel customer service at 1-631-273-2700  
or visit us on-line at [www. quozel. com](http://www. quozel. com)

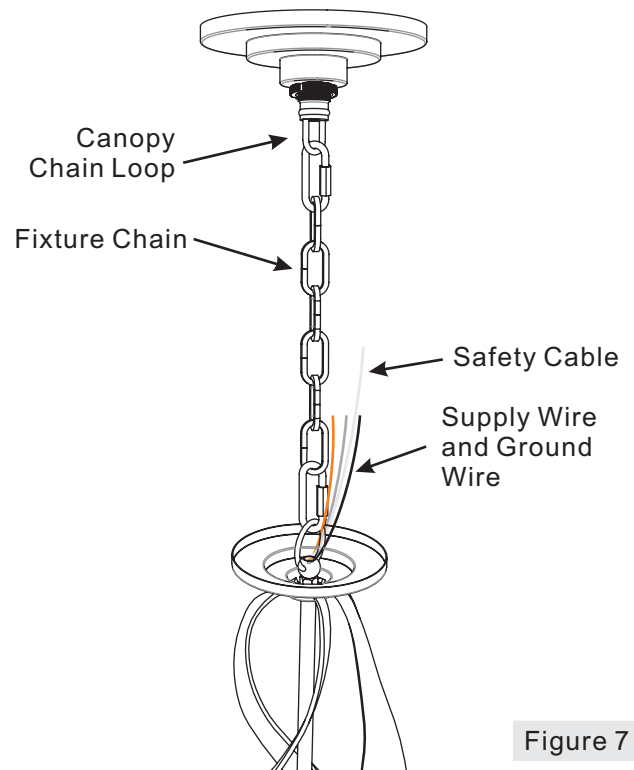
### STEP 6 – Attach Fixture Chain to Canopy Chain Loop and Fixture Loop

- A. Adjust the Fixture Chain (J) to your desired length by removing the links if needed. You may need to use plier to open the chain links. If so, put a cloth over the chain to protect the finish from the pliers.
- B. Attach one end of the Fixture Chain (J) onto the Canopy Chain Loop (G) with a Quick Link (K) and then attach the other end of the Fixture Chain (J) onto the Fixture Loop on the top of the fixture with another Quick Link (K).



### STEP 7 – Pass Supply Wires through Fixture Chain

- A. Pull the Supply Wires, Ground Wire and Safety Cable up through the Fixture Chain (J) alternating links. Push the wires and Safety Cable up through the Canopy Chain Loop (G) into the outlet box.



Thank you for purchasing a Quoizel product.

Need assistance with parts or assembly? Call Quoizel customer service at 1-631-273-2700  
or visit us on-line at [www. quoizel. com](http://www. quoizel. com)

**STEP 8 – Install Safety Cable**

- A. Un-thread the Canopy Lock Ring (H) and slide Canopy Lock Ring (H) and Ceiling Canopy (F) down the Fixture Chain (J).
- B. Push all slack Safety Cable through Canopy Chain Loop (G), Nipple (C) and Outlet Box.
- C. Pull all of the Safety Cable up through the Center Hole of the Tuck Washer (I).
- D. Push the Cable down through the 12 O'clock Hole. Leaving ½" of slack.
- E. Push the Cable up through the 1 O'clock Hole and tuck it under the cable between the Center Hole and the 12 O'clock Hole.
- F. Pull all of excess cable through all of the holes until the Tuck Washer is very close to the Structural or Bridging Member. Remove as much slack as possible out of the Tuck Washer. About ½" of slack between Tuck Washer and the hole is acceptable.

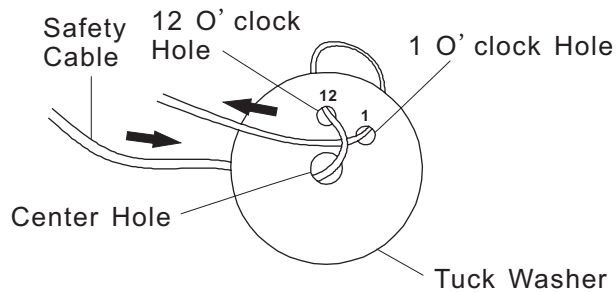


Figure 9

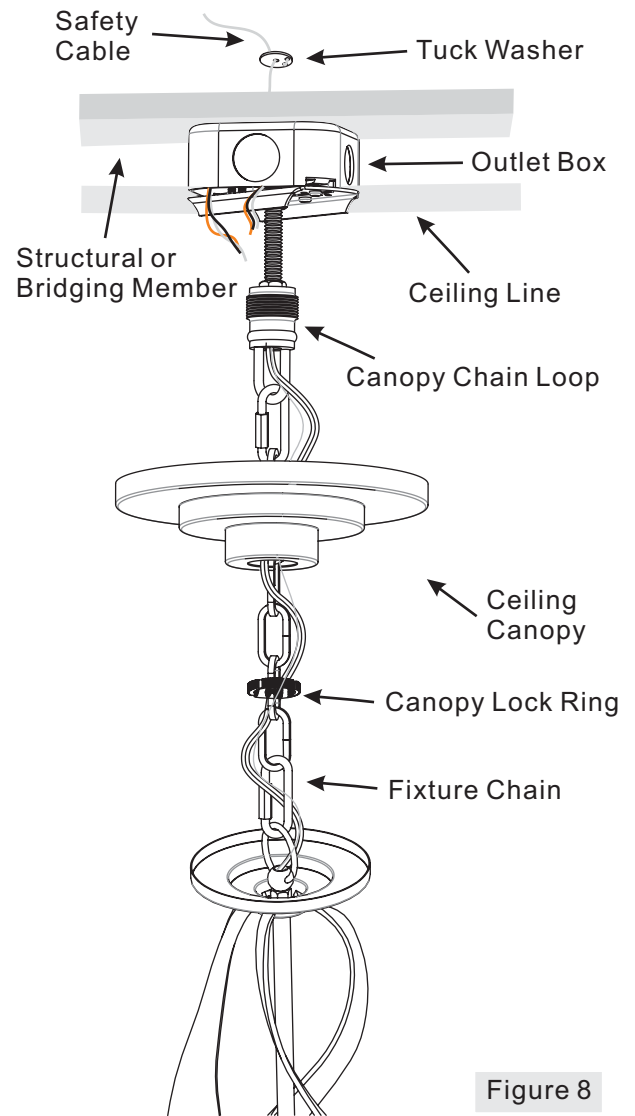


Figure 8

**Thank you for purchasing a Quoizel product.**

**Need assistance with parts or assembly? Call Quoizel customer service at 1-631-273-2700 or visit us on-line at [www. quozel. com](http://www. quozel. com)**

**STEP 9 – Make Wire Connections**

- A. Push all slack fixture wire through Canopy Chain Loop (G) into Outlet Box. Trim excess fixture wire leaving a minimum of 6 inch. Hanging out of the Outlet Box.
- B. Use standard wire connectors to make all wire connections. (Connectors are not included with fixture.) Strip and prepare wire ends according to instructions supplied with connectors.
- C. Connect White Supply Wire from the Outlet Box to White Wire from fixture.
- D. Connect Black (or Red) Supply Wire from the Outlet Box to Black Wire from fixture.
- E. Connect Ground Wire from the Outlet Box to Ground Wire from fixture.
- F. Twist connectors until wires are tightly joined together.
- G. Wrap each connection with approved electrical tape and carefully stuff all the connected wires into the Outlet Box.
- H. Re-attach the Ceiling Canopy (F) as shown in Step 5.

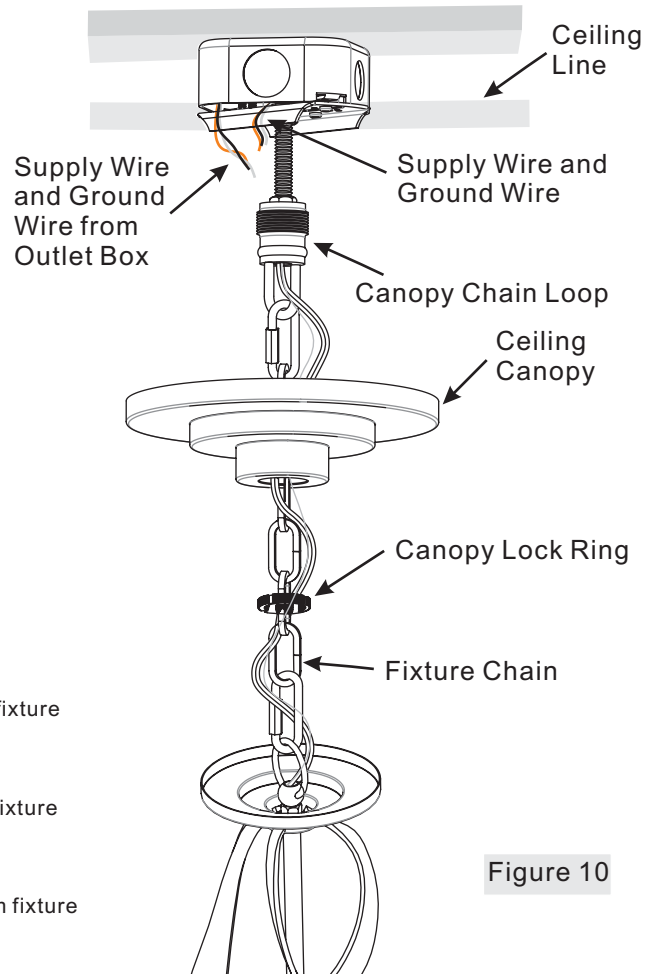


Figure 10

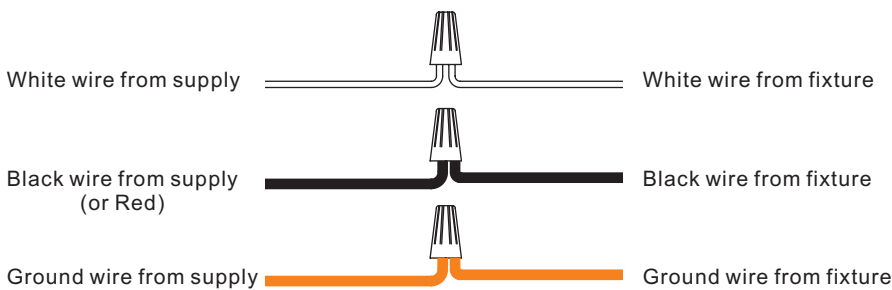


Figure 11

**STEP 10 – Attach Shade to Fixture Body**

- A. Place the Shade (M) setting inside of the Shade Holder as shown.

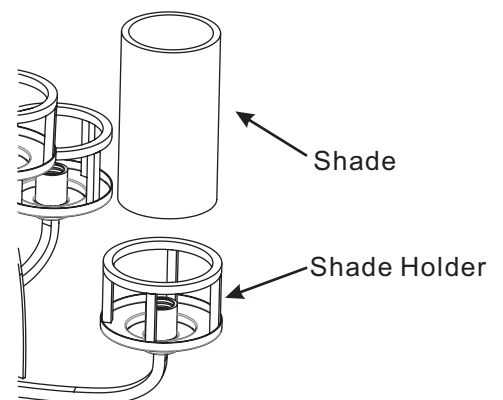


Figure 12

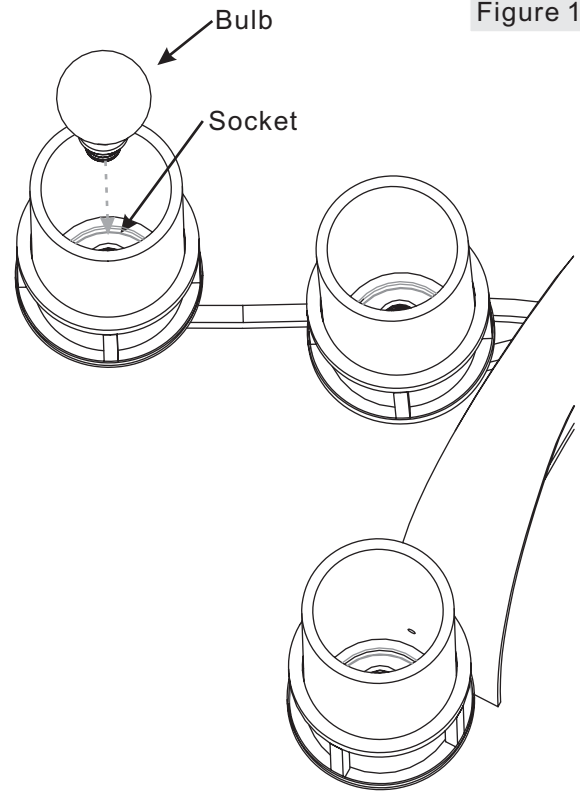
**Thank you for purchasing a Quozel product.**  
**Need assistance with parts or assembly? Call Quozel customer service at 1-631-273-2700**  
**or visit us on-line at [www. quozel. com](http://www. quozel. com)**

**STEP 11 – Install Bulb**

- A. This fixture uses standard bulb with a medium screw base. Maximum 100 watts.
- B. Insert bulb and screw snugly into place.

Your fixture is now assembled and ready to use.  
Enjoy!

Figure 13



**Thank you for purchasing a Quoizel product.**  
**Need assistance with parts or assembly? Call Quoizel customer service at 1-631-273-2700**  
**or visit us on-line at [www. quoizel. com](http://www. quoizel. com)**