

Assembly Instruction Sheet #IS-KY1507IN

For Style KY1507IN

Quozel, Inc.
 6 Corporate Parkway
 Goose Creek, SC
 29445

Customer Service
 Phone 631.273.2700
 Fax 631.231.7102
 www. quozel. com

Tools Required: Flathead screwdriver, Phillips screwdriver, pliers, wire cutters, wire strippers, electrical tape, safety glasses.

Bulb Recommended: (1) Medium Base 100W Maximum

Estimated Assembly Time: 20-30 minutes

Preparation: Identify and inspect all parts before beginning installation. Check package content list and diagrams below to be sure all parts are present. If any parts are missing or damaged, do not attempt to assemble, install, or operate the fixture. Contact customer service for replacement parts.



Warnings and Cautions

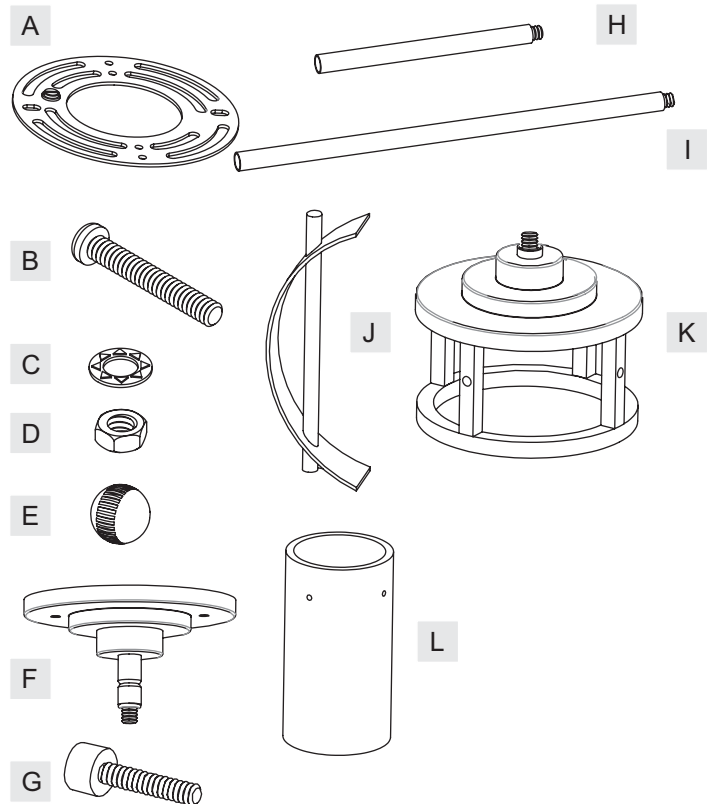
Turn off electricity at circuit breaker or main fuse box before installation. Consult a licensed electrician if in doubt.

These instructions are provided for your safety. It is very important you read them completely before installing the fixture. We strongly recommend that a licensed, professional electrician perform the installation.

Disconnect fixture from power source before replacing bulbs. Make sure bulbs are given sufficient time to cool before removal. Do not subject glass parts to any shock while in operation or shattering may result.

Package Contents

Part	Description	Quantity
A	Crossbar	1 pc.
B	Mounting Screw	2 pcs.
C	Lock Washer	2 pcs.
D	Hex Nut	2 pcs.
E	Mounting Ball	2 pcs.
F	Ceiling Canopy	1 pc.
G	Lock Screw	4 pcs.
H	6" Rod	2 pcs.
I	12" Rod	2 pcs.
J	Rod Assembly	1 pc.
K	Socket Assembly	1 pc.
L	Shade	1 pc.

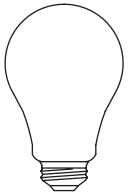
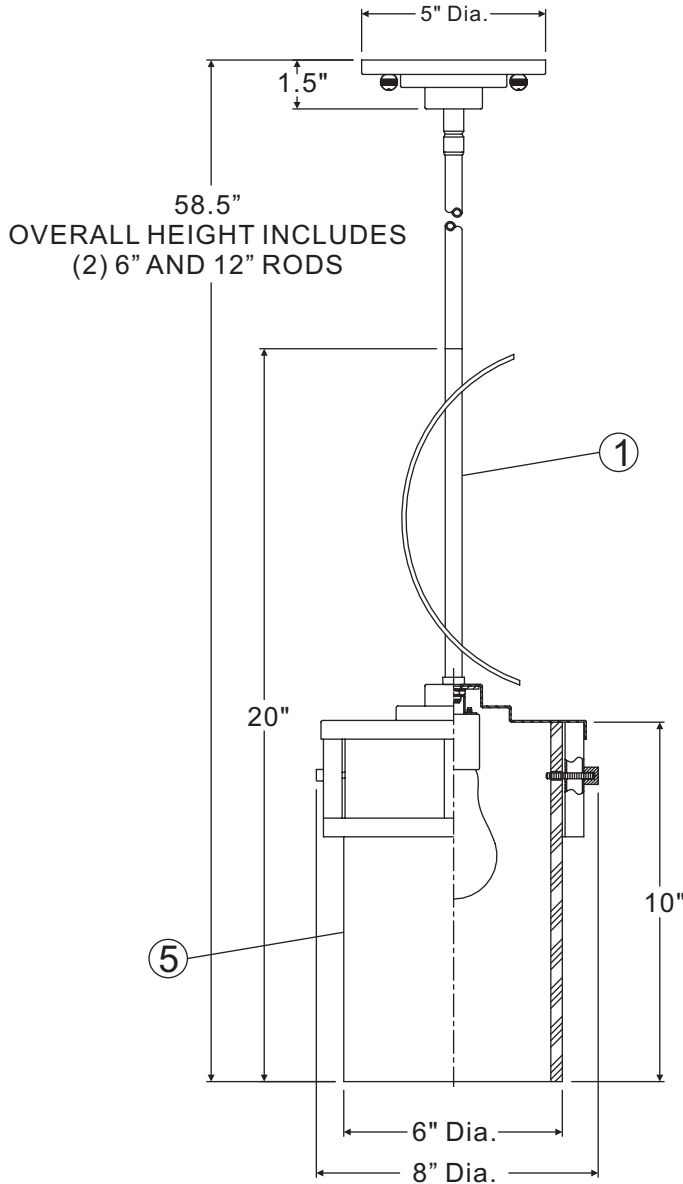
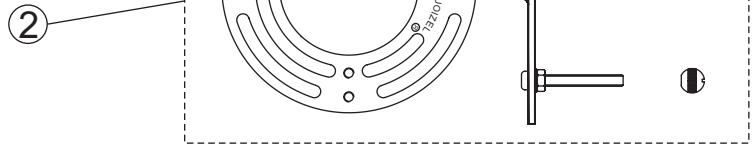
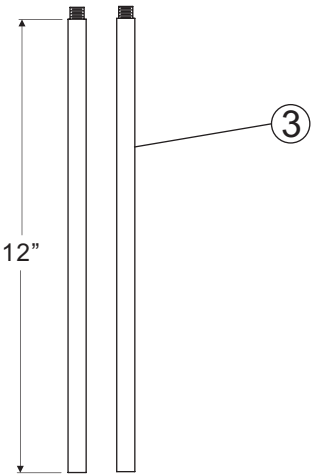
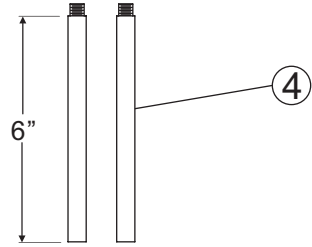


Thank you for purchasing a Quozel product.

Need assistance with parts or assembly? Call Quozel customer service at 1-631-273-2700 or visit us on-line at www. quozel. com

KY1507IN

FINISH: IRON GATE



(1) 100W
Medium Base Bulb
(Not Supplied)

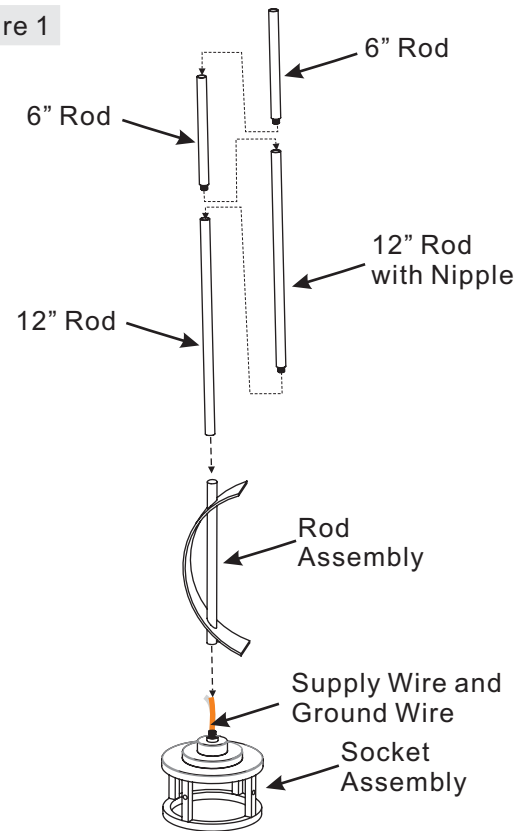
NOTE: ALL DIMENSIONS ARE ROUNDED UP TO THE NEAREST 1/2"

NO.	PART NUMBER	REPLACEMENT PART DESCRIPTION	REQ.
1	11507INKY	BASE KY1507IN	1
2	9562KIT	MOUNTING HARDWARE /CANOPY IRON GATE 5"D	1
3	9012EXIN	ROD EXTENSION IRON GATE 12"L X 0.5"D	2
4	9006EXIN	ROD EXTENSION IRON GATE 6"L X 0.5"D	2
5	G3327SH	SHADE WHITE ONYX 6"D X 10"H	1

STEP 1 – Assemble Rods

- A. Determine the Rods (H/I) to be assembled to the Socket Assembly (K) according to your hanging height.
- B. Pass Supply Wires and Ground Wire through the chosen Rods (H/I) and Rod Assembly (J), then thread the chosen Rods (H/I) , Rod Assembly (J) and the Socket Assembly (K) together. Hand tighten until snug.

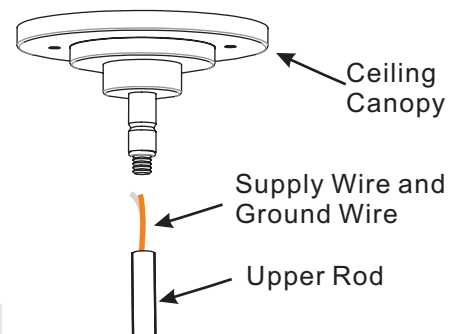
Figure 1



STEP 2 – Assemble Ceiling Canopy to Upper Rod

- A. Pass Supply Wires and Ground Wire through the Ceiling Canopy (F) and then thread the Ceiling Canopy (F) and the Upper Rod together. Hand tighten until snug.

Figure 2



Thank you for purchasing a Quozel product.

Need assistance with parts or assembly? Call Quozel customer service at 1-631-273-2700
or visit us on-line at www. quozel. com

STEP 3 – Attach Mounting Screws, Lock Washers and Hex Nuts to Crossbar

- A. Line up a set of holes on the Crossbar (A) and Holes on the Ceiling Canopy (F).
- B. Thread Mounting Screws (B) into the holes on the Crossbar (A), pass Lock Washers (C) and thread Hex Nut (D) onto the Mounting Screws (B). Hand tighten until snug.

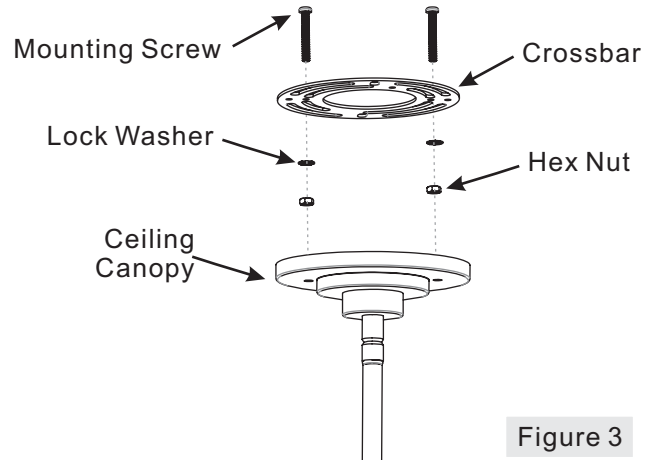


Figure 3

STEP 4 – Attach Crossbar to Outlet Box

- A. Attach the Crossbar (A) to Outlet Box and secure by threading Outlet Box Screws (not supplied) into the Mounting Holes on the Outlet Box. Tighten until snug.

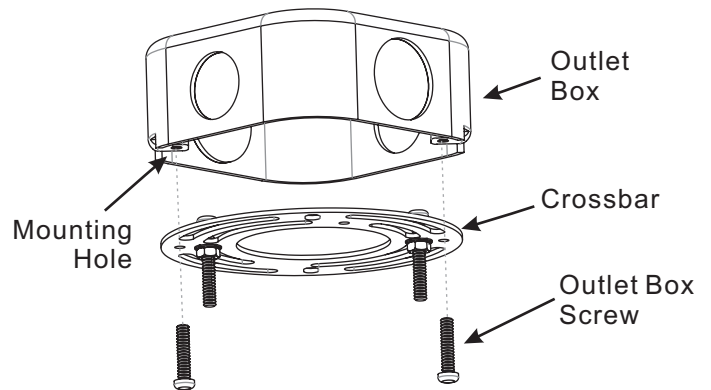


Figure 4

Thank you for purchasing a Quozel product.

**Need assistance with parts or assembly? Call Quozel customer service at 1-631-273-2700
or visit us on-line at www. quozel. com**

STEP 5 – Make Wire Connections

- A. Use standard wire connectors to make all wire connections. (Connectors are not included with fixture.) Strip and prepare wire ends according to instructions supplied with connectors.
- B. Connect White Supply Wire from the Outlet Box to White Wire from fixture.
- C. Connect Black (or Red) Supply Wire from the Outlet Box to Black Wire from fixture.
- D. Connect Ground Wire from the Outlet Box to Ground Wire from fixture.
- E. Twist connectors until wires are tightly joined together.
- F. Wrap each connection with approved electrical tape and carefully stuff all the connected wires into the Outlet Box.

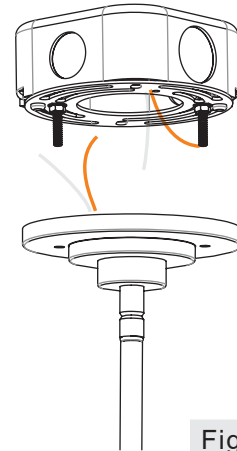


Figure 5

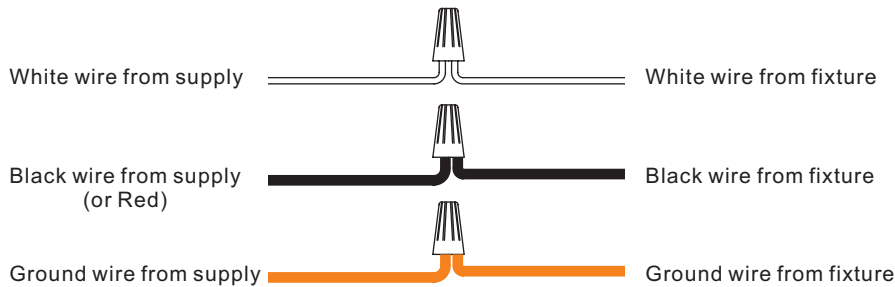


Figure 6

STEP 6 – Attach Ceiling Canopy to Mounting Screw

- A. Place the Ceiling Canopy (F) over the Mounting Screws (B) and secure with Mounting Balls (E). Hand tighten until snug.

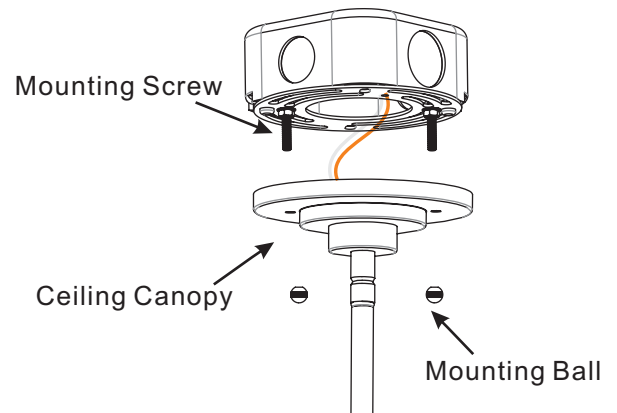


Figure 7

Thank you for purchasing a Quozel product.

**Need assistance with parts or assembly? Call Quozel customer service at 1-631-273-2700
or visit us on-line at www. quozel. com**

STEP 7 – Assemble Shade to Socket Assembly

- A. Line up the Lock Hole on the Socket Assembly (K) and the Hole on the Shade (L), then thread the Lock Screw (G) in to the Lock Hole on the Socket Assembly (K) to assemble the Shade (L). Hand tighten until snug.

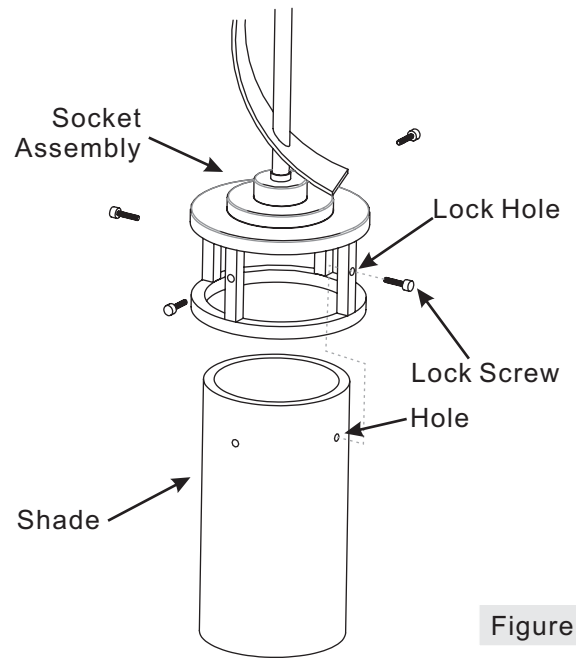


Figure 8

STEP 8 – Install Bulb

- A. This fixture uses standard bulb with a medium screw base.
Maximum 100 watts.
B. Insert bulb and screw properly into place.

Your fixture is now assembled and ready to use.
Enjoy!

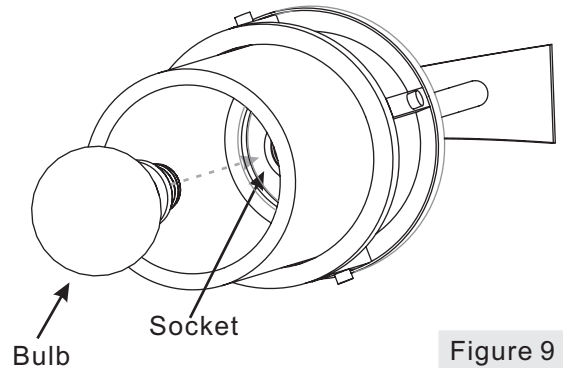


Figure 9

Thank you for purchasing a Quozel product.
Need assistance with parts or assembly? Call Quozel customer service at 1-631-273-2700
or visit us on-line at www. quozel. com