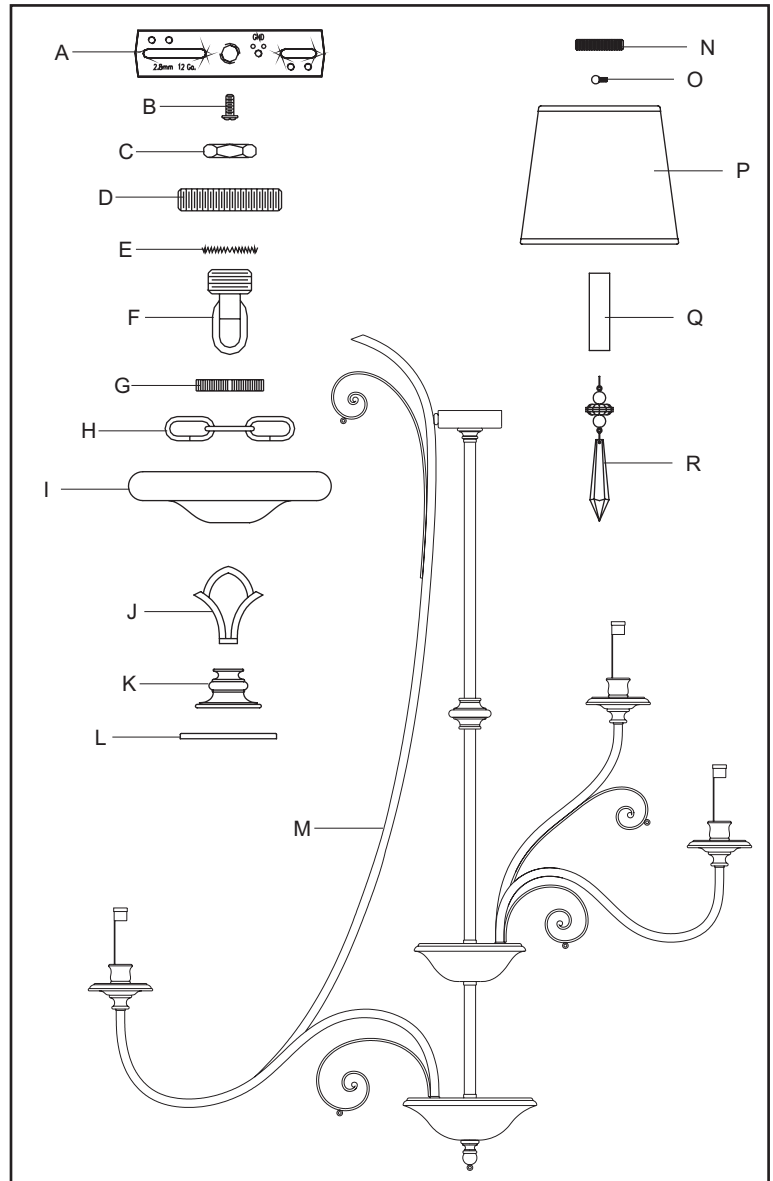


PACKAGE CONTENTS

ISSUED 02-2010

REVISED 2010-03-24

PART	DESCRIPTION	QUANTITY
A	Crossbar	1 pc
B	Green Ground Screw	1 pc
C	Hex Nut	2 pcs
D	Nipple	1 pc
E	Lock Washer	2 pcs
F	Canopy Chain Loop	1 pc
G	Canopy Lock Ring	1 pc
H	Fixture Chain	1 pc
I	Ceiling Canopy	1 pc
J	Fixture Loop	1 pc
K	Support Part	1 pc
L	Fixture Cover	1 pc
M	Fixture Assembly	1 pc
N	Short Nipple	1 pc
O	Lock Screw	6 pcs
P	Shade	15 pcs
Q	Candle Cover	15 pcs
R	78mm Crystal Pendant	22 pcs



! WARNINGS AND CAUTIONS

WARNING:

- Before beginning the installation, turn off electricity at the circuit breaker box or the main fuse box by switching off the circuit breaker or removing the fuse.

CAUTION:

- These instructions are provided for your safety. It is very important that they are read completely before the installation of your fixture. We strongly recommend that a professional electrician install the fixture.
- Disconnect fixture from the power source before replacing the bulb(s), making sure that bulb(s) had sufficient time to cool down. DO NOT subject the lamp to any shock while lit as shattering of lamp may result.

PREPARATION

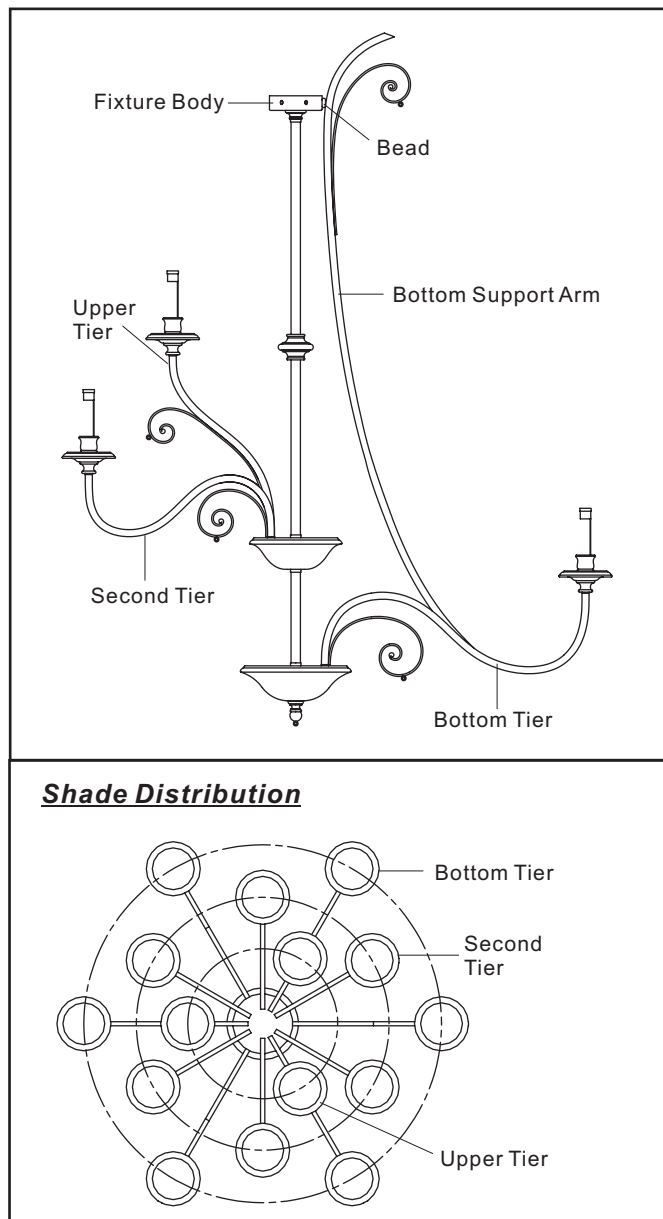
STYLE NUMBER: KD5015MM

- Before beginning installation of product, make sure all parts are present. Compare parts with package contents list and diagram above. If any part is missing or damaged, do not attempt to assemble, install or operate the product. Contact customer service for replacement part.
- Estimated Assembly Time: 30 - 45 minutes
- Tool Required for Assembly (not included): Flathead screwdriver, Phillips screwdriver, Pliers, Electrical tape, Wire cutter, Safety glasses and (15) 60W Type - A medium base bulbs.
- Helpful Tools (not included): Wire strippers.

INSTALLATION INSTRUCTIONS

STEP 1:

- a. Unfold Support Arms to proper locations according to the illustration Shade Distribution. Please attach the Bead on the top end of the Bottom Support Arm to the hole on the side of the Fixture Body after unfolding.

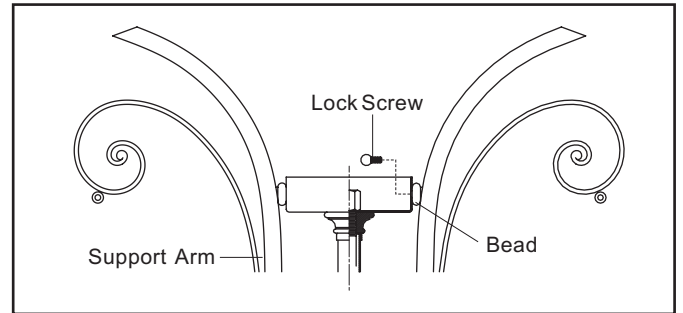


INSTALLATION INSTRUCTIONS

STYLE NUMBER: KD5015MM

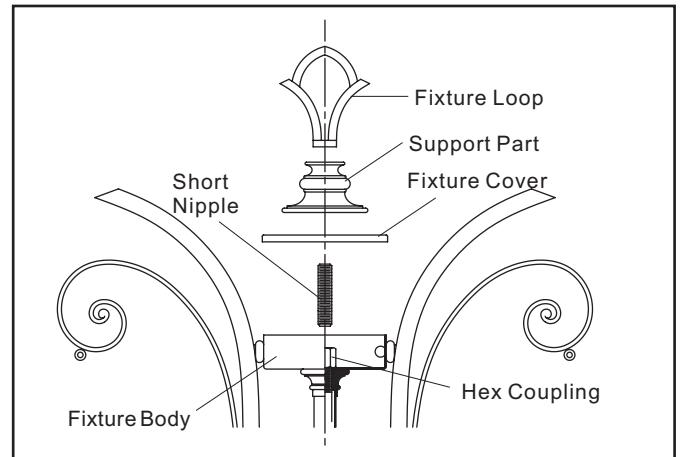
STEP 2:

- a. Thread Lock Screws into the Bead on the top of the bottom Support Arm. Hand-tighten until snug.



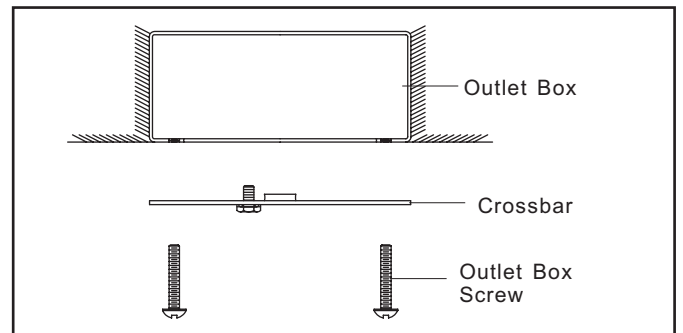
STEP 3:

- a. Screw the Short Nipple into the Hex Coupling inside of the Fixture Body. Tighten until snug.
- b. Place the Fixture Cover and the Support Part over the Short Nipple. Secure them by threading the Fixture Loop onto the top end of the Short Nipple. Hand-tighten until snug.



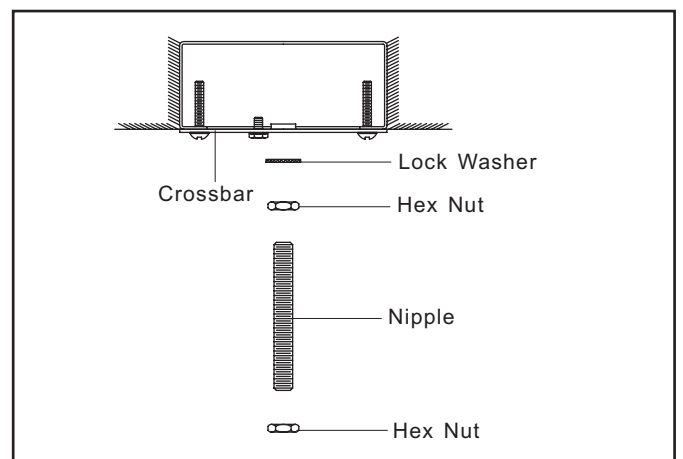
STEP 4:

- a. Secure the Crossbar onto the Outlet Box with Outlet Box Screws. Tighten until snug.



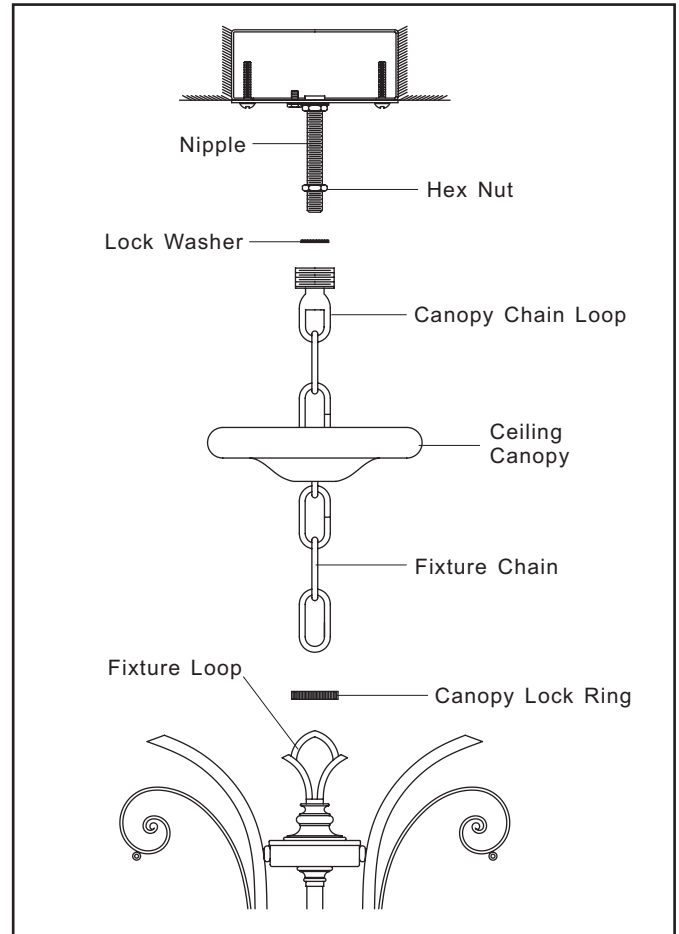
STEP 5:

- ★ Pliers is required on this step.
- a. Thread one Hex Nut onto top end of the Nipple.
 - b. Place one Lock Washer over the top end of the Nipple and then thread the Nipple into the center lock hole of the Crossbar.
 - c. Using pliers, thread the Hex Nut against the Crossbar and hand-tighten until snug.
 - d. Thread another Hex Nut onto the bottom end of the Nipple.



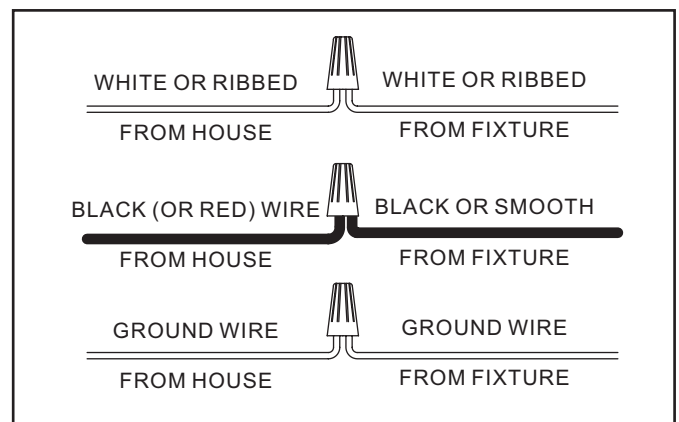
STEP 6:

- a. Adjust the Fixture Chain to your desired length by removing the links if needed.
 - ★ Please note that depends on chain material thickness, you might be required to use chain pliers to spread links open.
- b. Pull the supply wires through the Fixture Chain alternating links. And then pull the wires through the following components in turn: Canopy Lock Ring, Ceiling Canopy, Canopy Chain Loop, Lock Washer, and Nipple.
- c. Place Lock Washer over the end of the Nipple and thread the Canopy Chain Loop onto the end of the Nipple.
- d. Using pliers, thread the Hex Nut against the Canopy Chain Loop and tighten until snug.
- e. Attach one end of the Fixture Chain onto the Fixture Loop and attach the another end of the chain onto the Canopy Chain Loop.
- f. Refer to STEP 7 - Wire Connections to connect wires.
- g. Push the Ceiling Canopy upward over the Outlet Box.
- h. Thread the Canopy Lock Ring onto the Canopy Chain Loop and tighten until snug to secure the Ceiling Canopy.



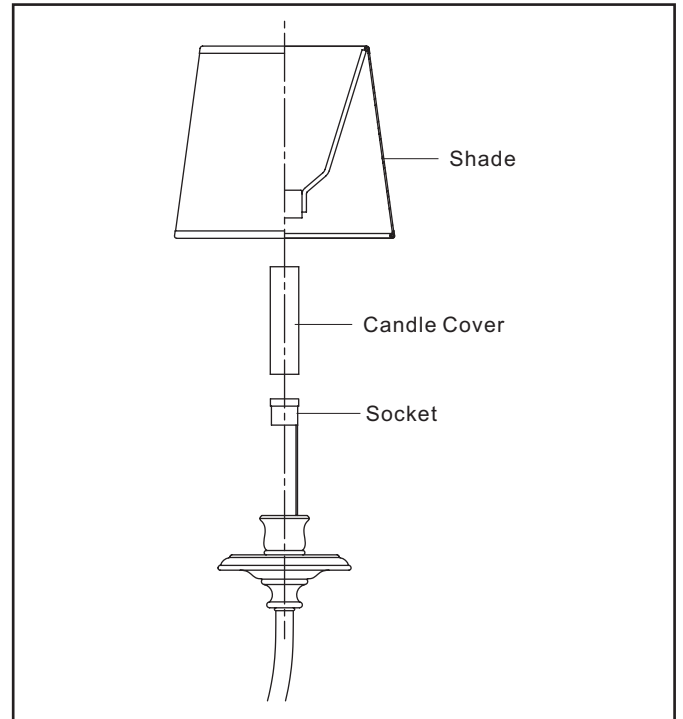
STEP 7:

- ★ Use Wire Connectors (not supplied) to connect the wires.
- a. Connect the House Ground Wire to the Fixture Ground Wire.
 - b. Connect the House White (or Ribbed) Wire to the Fixture Supply Wire (Black or Smooth Side).
 - c. Connect the House Black (or Red) Wire to the Fixture Supply Wire (Black or Smooth Side).
 - d. Wrap each connection with approved electrical tape and carefully stuff all of the connected wires into the Outlet Box.

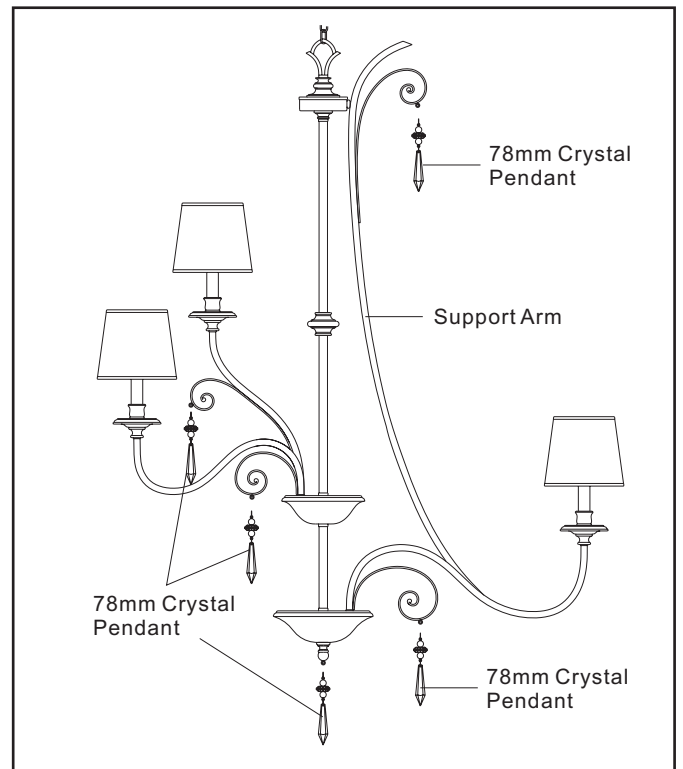


STEP 8:

- a. Place the Candle Cover over the Socket. Then place the Shade onto the top end of the Candle Cover.

**STEP 9:**

- a. Attach 78mm Crystal Pendants onto the hangers on the Support Arms and the bottom center of the fixture.

**STEP 10:**

- a. Install correct bulbs referring to fixture markings and/or labels for maximum wattage.

Your installation is completed now. Restore electricity. Retain this sheet for future reference.