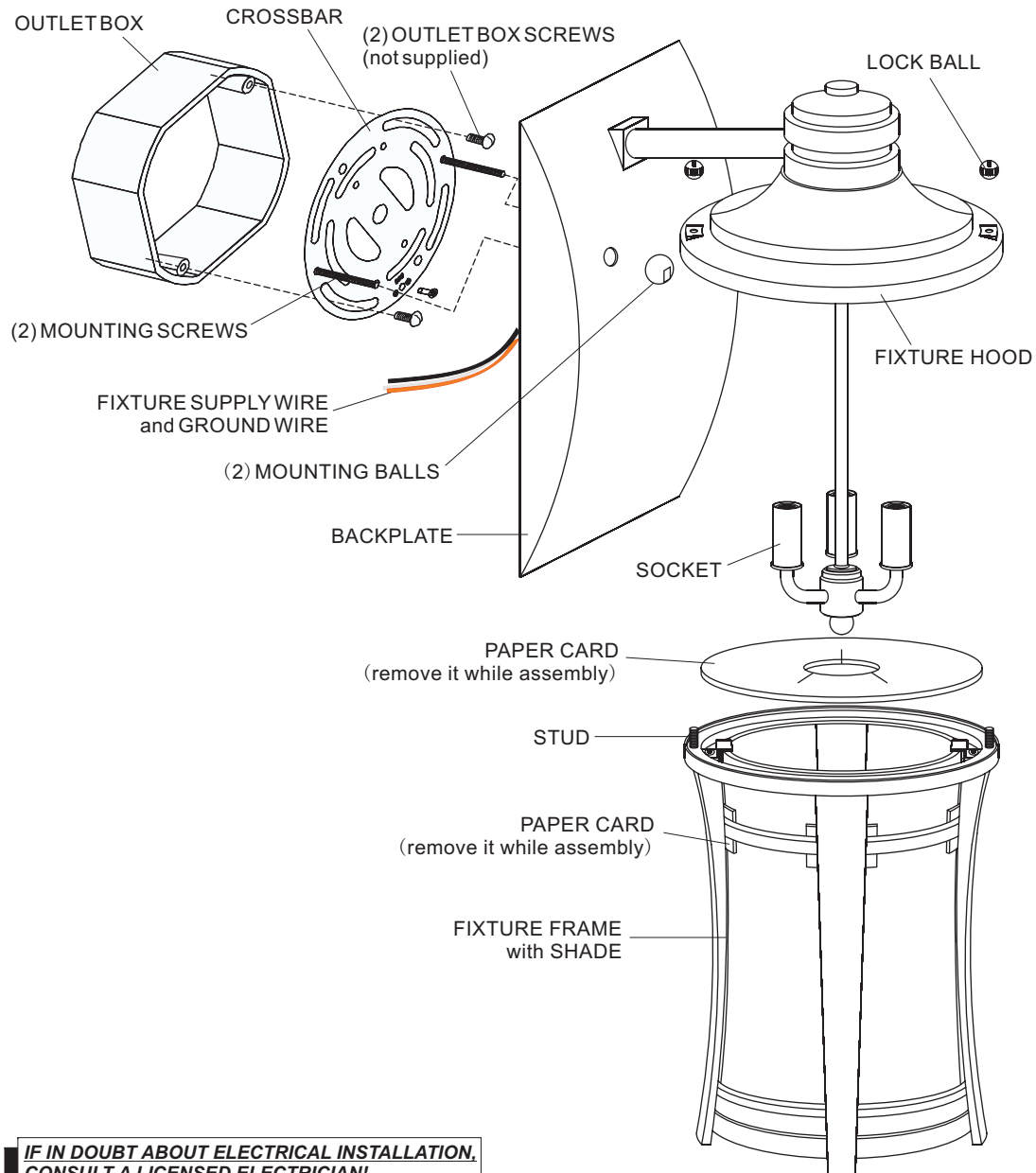


QUOIZEL

6 CORPORATE PARKWAY
GOOSE CREEK, SC. 29445
www. quozel. com



INSTALLATION INSTRUCTIONS

1. Before beginning installation, carefully unpack and identify all parts referring to the illustration.
2. Turn power to installation point OFF at circuit breaker.
3. Install the correct bulbs referring to the fixture markings and/or labels for maximum wattage.
4. Take off the PAPER CARDS from top end of the FIXTURE FRAME and the space between the FIXTURE FRAME and SHADE. Lift the FIXTURE FRAME with SHADE upward and make sure the STUDS through the holes on the FIXTURE HOOD. Secure by threading LOCK BALLS onto STUDS and hand tighten until snug.
5. Place the CROSSBAR on the BACKPLATE and align the holes in the BACKPLATE with a set of threaded holes in the CROSSBAR. Install the (2) MOUNTING SCREWS in the aligned threaded holes on the CROSSBAR. Next, mount the CROSSBAR to the outlet box with (2) OUTLET BOX SCREWS (not provided).
6. Make the connections: Use wire connectors (not supplied) connect the HOUSE GROUND to the FIXTURE GROUND WIRE; attach the HOUSE WHITE WIRE to FIXTURE WHITE (or RIBBED SIDE) SUPPLY WIRE; connect the HOUSE BLACK (or RED) WIRE to the FIXTURE BLACK (or SMOOTH SIDE) WIRE. Wrap each connection with approved electrical tape.
7. Carefully tuck all wires into the WALL MOUNTED OUTLET BOX and position the fixture over the outlet box. Align the HOLES in the BACKPLATE with the (2) MOUNTING SCREWS attached to the CROSSBAR. Pass the fixture over the (2) MOUNTING SCREWS and secure against by threading (2) MOUNTING BALLS onto end of screw. Tighten until snug.
8. Refer to Page 2 for fixture caulking instructions.
9. Restore power to the installation point ON. Retain this sheet for future reference.

**IF IN DOUBT ABOUT ELECTRICAL INSTALLATION,
CONSULT A LICENSED ELECTRICIAN!**

WALL SURFACE MOUNTED OUTDOOR FIXTURE CAULKING INSTRUCTIONS

With the OUTDOOR FIXTURE properly installed in accordance with supplied assembly/installation instructions, proceed with caulking instructions below.

Note: Be sure EXTERIOR WALL SURFACE and FIXTURE BACKPLATE are free to dirt to caulking. Using EXTERIOR GRADE CAULK, start on one side of FIXTURE BACKPLATE and follow contour, were the FIXTURE BACKPLATE meets the EXTERIOR WALL SURFACE upward. Proceed to caulk over top of backplate and down other side. **DO NOT CAULK BOTTOM OF FIXTURE BACKPLATE** to ensure proper moisture drainage.

