

Assembly Instruction Sheet #IS-HC9013IB

For Style HC9013IB

Quozel, Inc.
 6 Corporate Parkway
 Goose Creek, SC
 29445

Customer Service
 Phone 631.273.2700
 Fax 631.231.7102
 www. quozel. com

Tools Required: Flathead screwdriver, Phillips screwdriver, pliers, wire cutters, wire strippers, electrical tape, safety glasses.

Bulb Recommended: Medium Base (1) 150W Maximum

Estimated Assembly Time: 20-30 minutes

Preparation: Identify and inspect all parts before beginning installation. Check package content list and diagrams below to be sure all parts are present. If any parts are missing or damaged, do not attempt to assemble, install, or operate the fixture. Contact customer service for replacement parts.



Warnings and Cautions

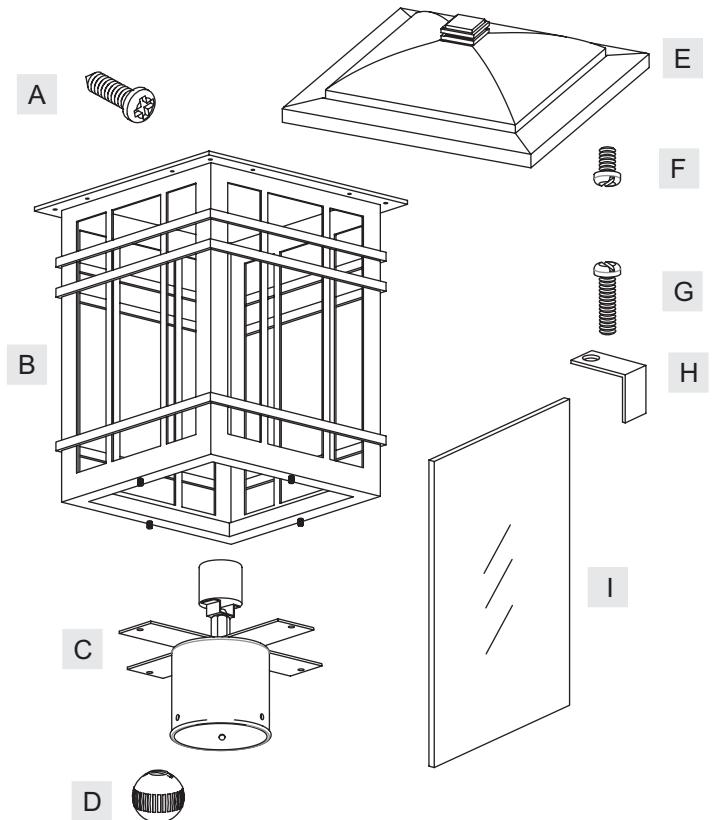
Turn off electricity at circuit breaker or main fuse box before installation. Consult a licensed electrician if in doubt.

These instructions are provided for your safety. It is very important you read them completely before installing the fixture. We strongly recommend that a licensed, professional electrician perform the installation.

Disconnect fixture from power source before replacing bulbs. Make sure bulbs are given sufficient time to cool before removal. Do not subject glass parts to any shock while in operation or shattering may result.

Package Contents

Part	Description	Quantity
A	Mounting Screw	3 pcs.
B	Cage	1 pc.
C	Socket Assembly	1 pc.
D	Lock Ball	4 pcs.
E	Fixture Hood	1 pc.
F	Lock Screw A	4 pcs.
G	Lock Screw B	8 pcs.
H	Tab	8 pcs.
I	Glass Panel	4 pcs.

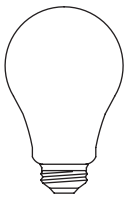
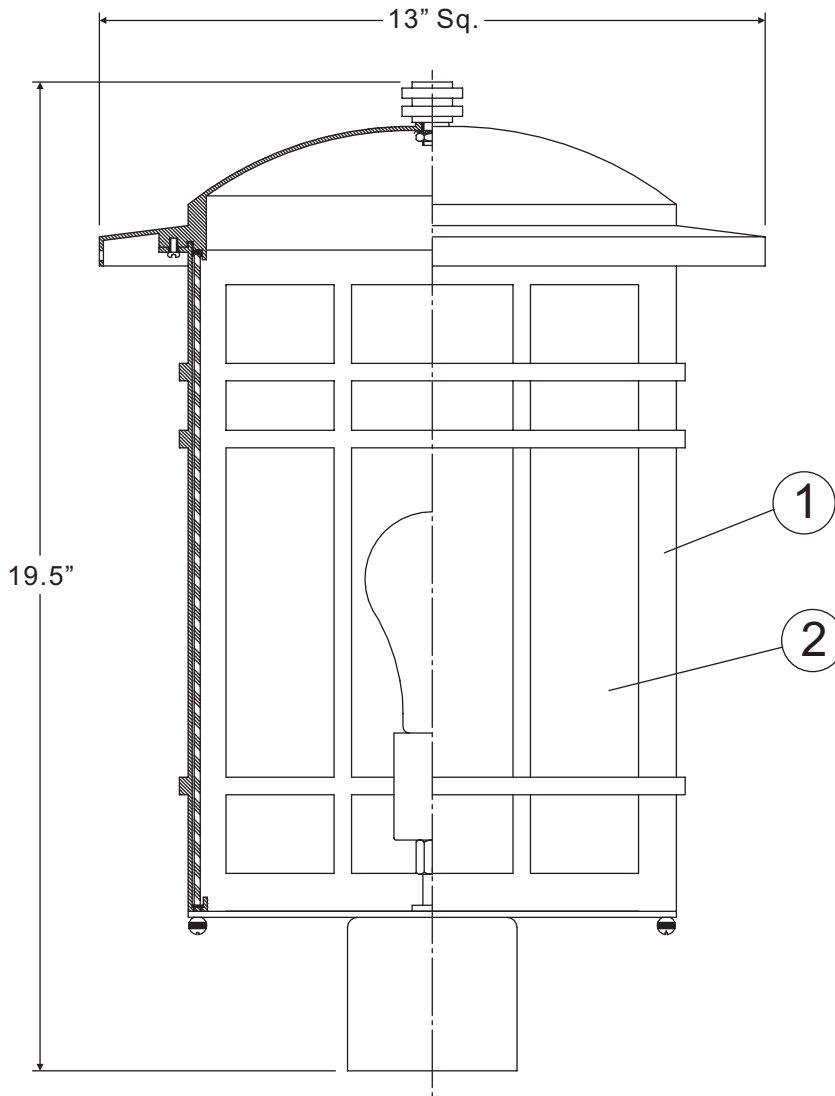
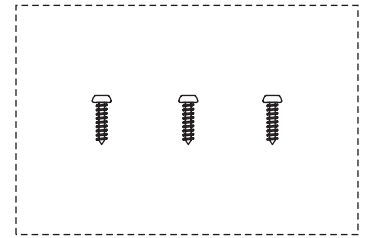


Thank you for purchasing a Quozel product.

**Need assistance with parts or assembly? Call Quozel customer service at 1-631-273-2700
 or visit us on-line at www. quozel. com**

HC9013IB

FINISH: IMPERIAL BRONZE



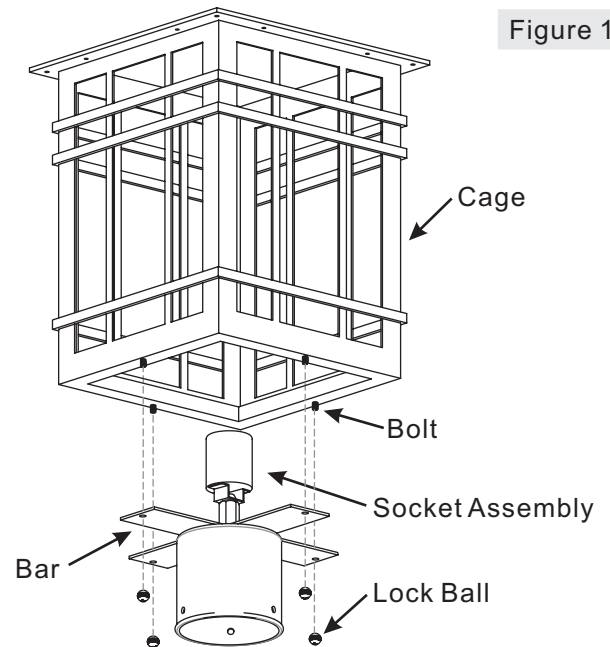
(1)150W Medium Base Bulb (Not Supplied)

NOTE: ALL DIMENSIONS ARE ROUNDED UP TO THE NEAREST 1/2"

NO.	PART NUMBER	REPLACEMENT PART DESCRIPTION	REQ.
1	19013IBHC	BASE IMPERIAL BRONZE HC9013IB	1
2	G1800PA	PANEL OPAQUE LINEN 13"H X 9.5"W	4

STEP 1 – Attach Cage to Fixture Body

- A. Locate the Bolts on the bottom of Cage (B) through the holes on the Bar on the Socket Assembly (C). Secure them together with Lock Balls (D) . Hand tighten until snug.



STEP 2 – Attach panel to Cage

- A. Insert Glass Panels (I) into the Slot in the bottom edge of the Cage (B) properly.
- B. Locate Tabs (H) onto the top edge of the Cage (B). Line up the holes on Tabs (H) and the Mounting Holes on the top edge of the Cage (B). By using screwdriver, thread Lock Screws B (G) into the Mounting Holes on the Cage (B) to secure Glass Panels (I). Hand tighten until snug.

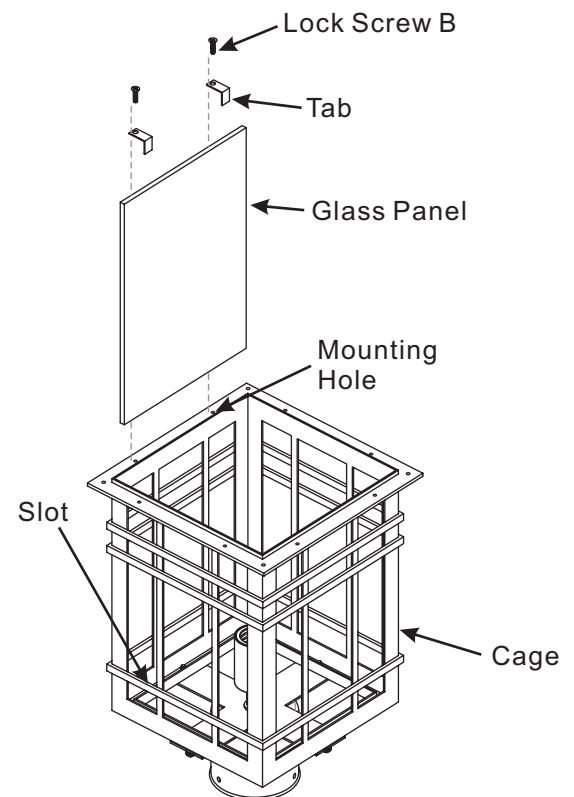


Figure 2

Thank you for purchasing a Quozel product.

Need assistance with parts or assembly? Call Quozel customer service at 1-631-273-2700
or visit us on-line at www. quozel. com

STEP 3 – Drill Pilot Holes on Post

- A. Carefully fit the Post Fitter over the end of the Post (not supplied), making sure the Post Fitter is fully seated.
- B. Mark the drill point for the (3) Mounting Screws, using (3) Mounting Holes as reference. After marking hole locations, remove fixture from post and drill 1/16" pilot holes for screws.

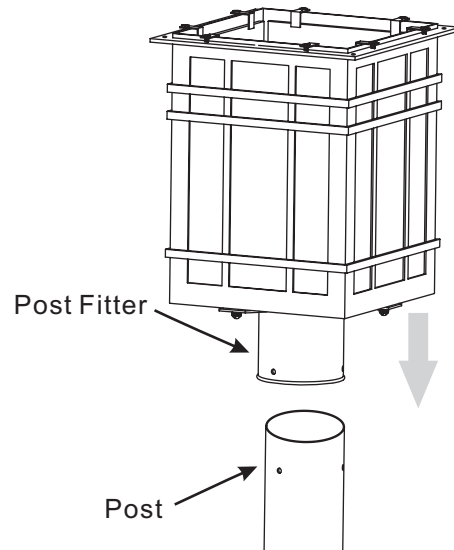


Figure 3

STEP 4 – Make Wire Connections

- A. Use standard wire connectors to make all wire connections. (Connectors are not included with fixture.) Strip and prepare wire ends according to instructions supplied with connectors.
- B. Connect White Supply Wire from the Post to White Wire from fixture.
- C. Connect Black (or Red) Supply Wire from the Post to Black Wire from fixture.
- D. Connect Ground Wire from the Post to Ground Wire from fixture.
- E. Twist connectors until wires are tightly joined together.
- F. Wrap each connection with approved electrical tape and carefully stuff all the connected wires into the Post.

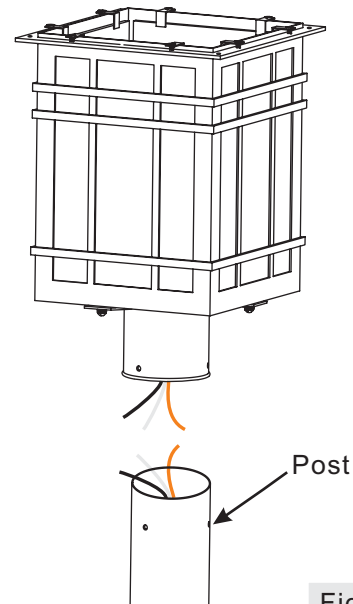


Figure 4

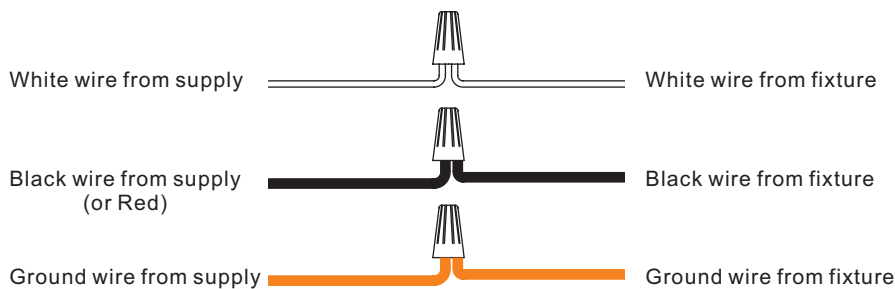
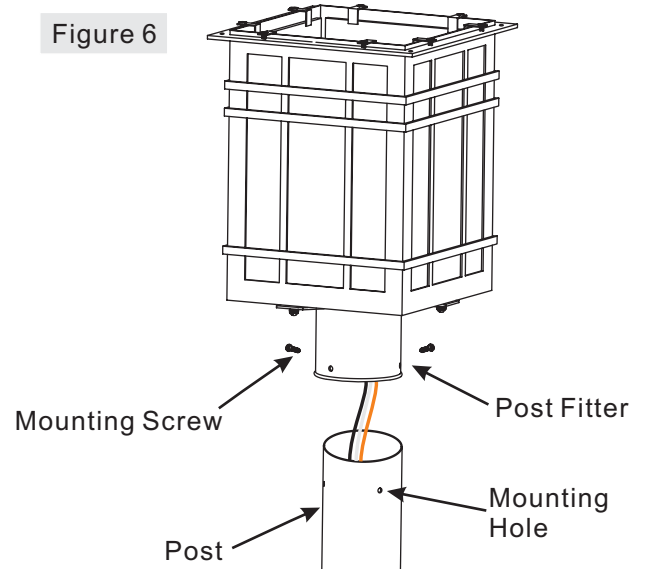


Figure 5

Thank you for purchasing a Quoizel product.
Need assistance with parts or assembly? Call Quoizel customer service at 1-631-273-2700
or visit us on-line at www. quozel. com

STEP 5 – Attach Fixture Body to Post

- Coat the top 1" of the Post with Clear Silicone Caulk (not supplied) and position the Post Fitter onto the Post. Be sure to seat it completely, aligning the holes in the Fitter with the 1/16" Pilot Holes drilled into the Post.
- Secure the Fixture to Post with (3) Mounting Screws.



STEP 6 – Install Bulb

- This fixture uses standard bulb with a standard screw base. Maximum 150 watts.
- Insert bulb and screw properly into place.

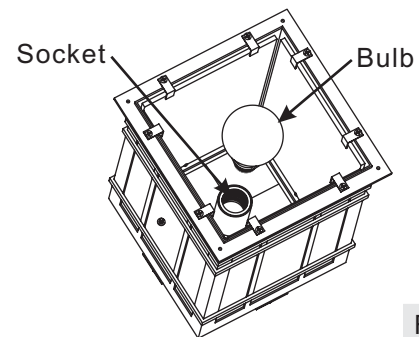
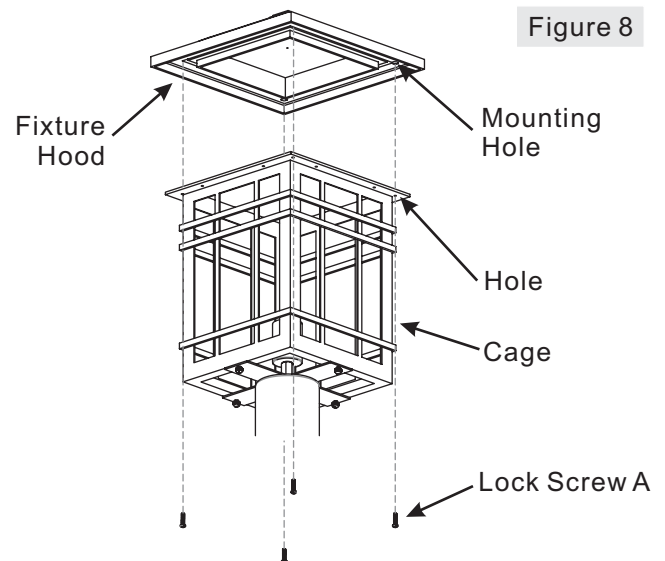


Figure 7

STEP 7 – Attach Fixture Hood to Cage

- Place the Fixture Hood (E) onto the top edge of the Cage (B). Line up the Mounting Holes in the bottom edge of the Fixture Hood (E) and the Holes on the top edge of the Cage (B). Secure them together with Lock Screws A (F). Hand tighten until snug with screwdrivers.

Your fixture is now assembled and ready to use. Enjoy!



Thank you for purchasing a Quoizel product.

Need assistance with parts or assembly? Call Quoizel customer service at 1-631-273-2700
or visit us on-line at www. quozel. com