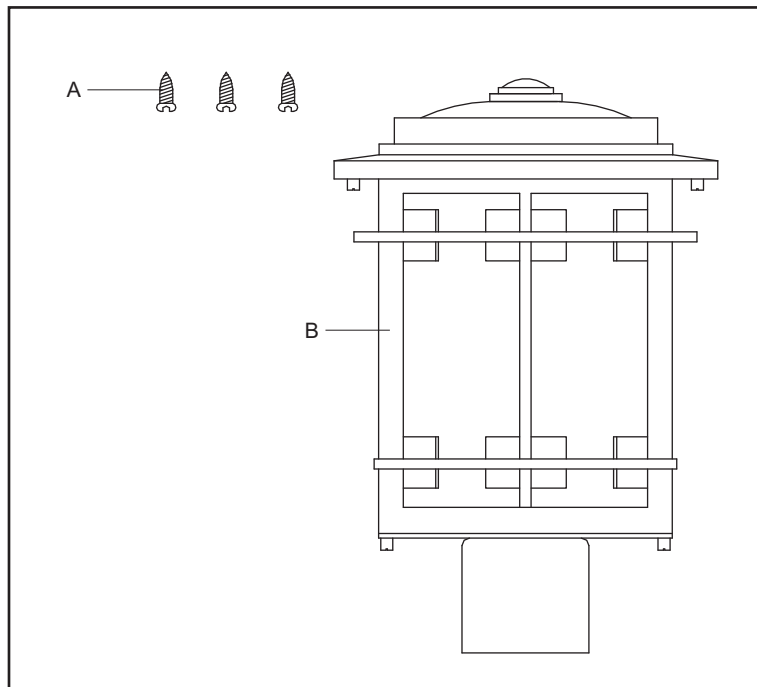


**PACKAGE CONTENTS**

ISSUED 08-2010

REVISED 2013-08-30

PART	DESCRIPTION	QUANTITY
A	Mounting Screw	3 pcs
B	Fixture Assembly	1 pc



**! WARNINGS AND CAUTIONS**

**WARNING:**

- Before beginning the installation, turn off electricity at the circuit breaker box or the main fuse box by switching off the circuit breaker or removing the fuse.

**CAUTION:**

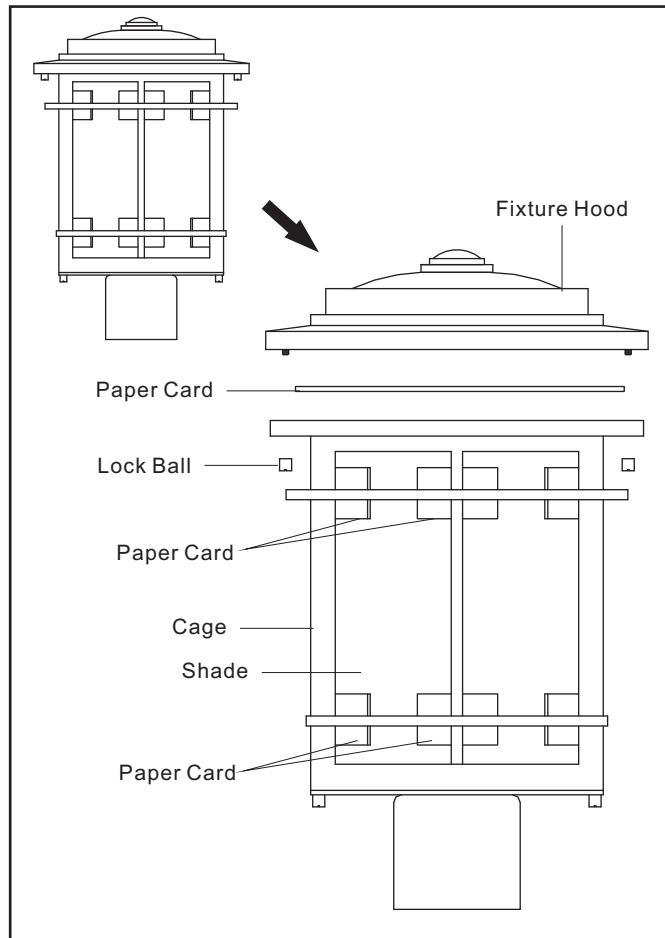
- These instructions are provided for your safety. It is very important that they are read completely before the installation of your fixture. We strongly recommend that a professional electrician install the fixture.
- Disconnect fixture from the power source before replacing the bulb(s), making sure that bulb(s) had sufficient time to cool down. DO NOT subject the lamp to any shock while lit as shattering of lamp may result.

**PREPARATION**

- Before beginning installation of product, make sure all parts are present. Compare parts with package contents list and diagram above. If any part is missing or damaged, do not attempt to assemble, install or operate the product. Contact customer service for replacement part.
- Estimated Assembly Time: 30 - 45 minutes
- Tool Required for Assembly (not included): Flathead screwdriver, Phillips screwdriver, Pliers, Electrical tape, Wire cutter, Safety glasses and (1) 150W A21 medium base bulb.
- Helpful Tools (not included): Wire strippers.

**STEP 1:**

- a. Take apart the Fixture Hood from the Cage by unlocking the Lock Balls as shown.
- b. Remove Paper Cards between the Fixture Hood and Cage. Remove Paper Cards between the Shade and the Cage, too.

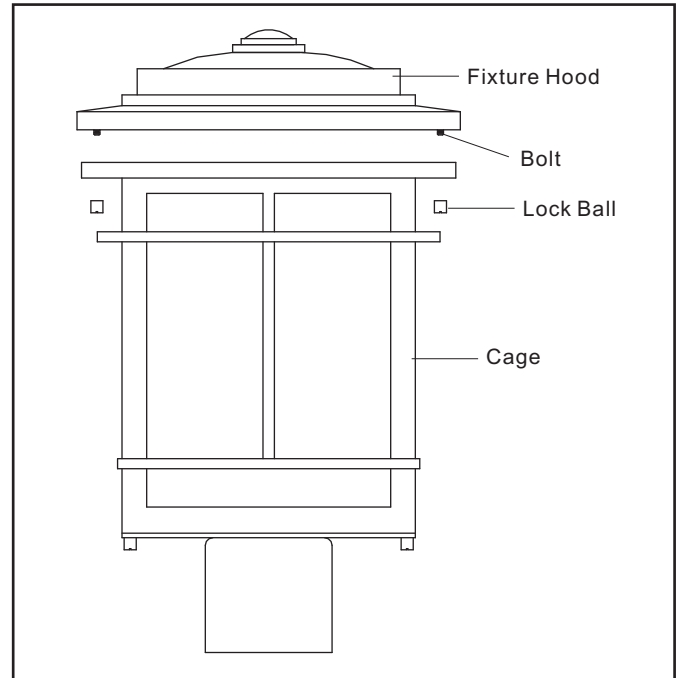


**STEP 2:**

- a. Install the correct bulb referring to fixture markings and/or labels for maximum wattage.

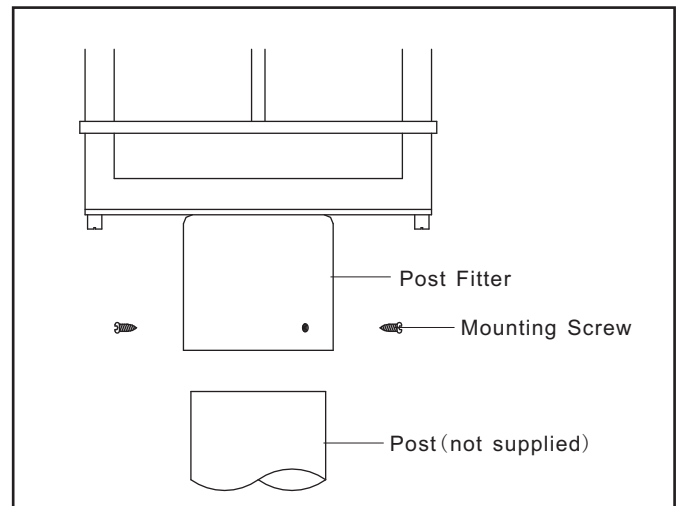
**STEP 3:**

- a. Place the Bolts in the bottom edge of the Fixture Hood through the holes on the top edge of the Cage. Secure by threading the Lock Balls onto the Bolts. Hand-tighten until snug.



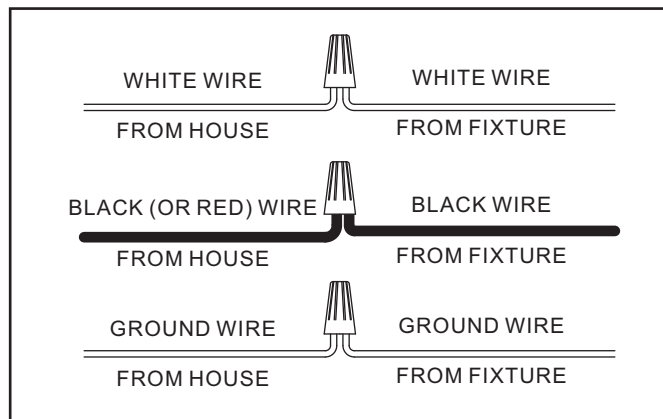
**STEP 4:**

- a. Carefully fit the Post Fitter over the end of the Post (not supplied), making sure the Post Fitter is fully seated.
- b. Mark the drill point for the (3) Mounting Screws, using (3) Mounting Holes as reference. After marking hole locations, remove Fixture from Post and drill 1/16" pilot holes for screws.
- c. Refer to Step 5 for wire connections.
- d. Coat the top 1" of the Post with Clear Silicone Caulk (not supplied) and position the Post Fitter onto the Post. Be sure to seat it completely, aligning the holes in the Fitter with the 1/16" Pilot Holes drilled into the Post.
- e. Secure the Fixture to Post with (3) Mounting Screws.



## STEP 5:

- ★ Use Wire Connectors (not supplied) to connect the wires.
- a. Connect the House Ground Wire to the Fixture Ground Wire.
- b. Connect the House White Wire to the Fixture Supply Wire (White Wire).
- c. Connect the House Black (or Red) Wire to the Fixture Supply Wire (Black Wire).
- d. Wrap each connection with approved electrical tape and carefully stuff all of the connected wires into the Outlet Box.



Your installation is completed now. Restore electricity. Retain this sheet for future reference.