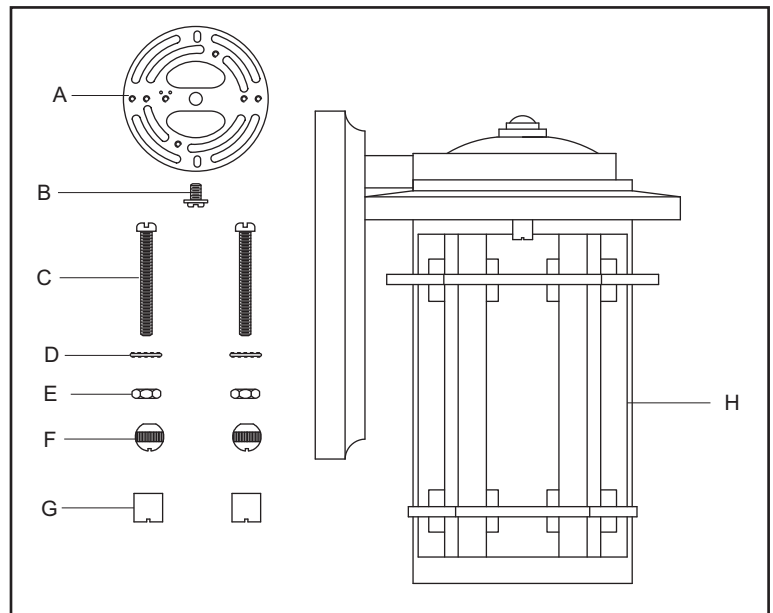


PACKAGE CONTENTS

ISSUED 08-2010

REVISED 2013-08-30

| PART | DESCRIPTION | QUANTITY |
|------|--------------------|----------|
| A | Crossbar | 1 pc |
| B | Green Ground Screw | 1 pc |
| C | Mounting Screw | 2 pcs |
| D | Small Lock Washer | 2 pcs |
| E | Small Hex Nut | 2 pcs |
| F | Mounting Ball | 2 pcs |
| G | Lock Ball | 2 pcs |
| H | Fixture Assembly | 1 pc |



! WARNINGS AND CAUTIONS

WARNING:

- Before beginning the installation, turn off electricity at the circuit breaker box or the main fuse box by switching off the circuit breaker or removing the fuse.

CAUTION:

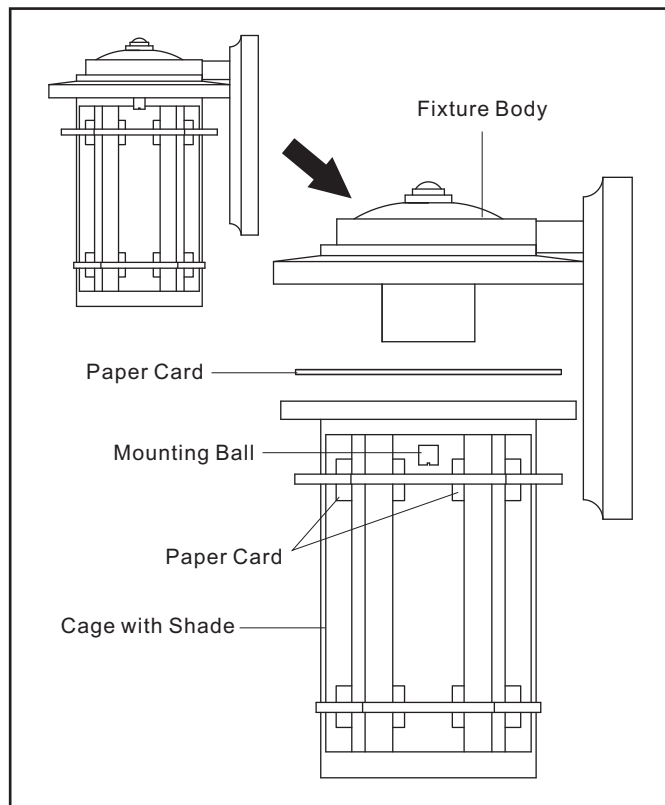
- These instructions are provided for your safety. It is very important that they are read completely before the installation of your fixture. We strongly recommend that a professional electrician install the fixture.
- Disconnect fixture from the power source before replacing the bulb(s), making sure that bulb(s) had sufficient time to cool down. DO NOT subject the lamp to any shock while lit as shattering of lamp may result.

PREPARATION

- Before beginning installation of product, make sure all parts are present. Compare parts with package contents list and diagram above. If any part is missing or damaged, do not attempt to assemble, install or operate the product. Contact customer service for replacement part.
- Estimated Assembly Time: 30 - 45 minutes
- Tool Required for Assembly (not included): Flathead screwdriver, Phillips screwdriver, Pliers, Electrical tape, Wire cutter, Safety glasses and (1) 100W A19 Medium Base Bulb.
- Helpful Tools (not included): Wire strippers.

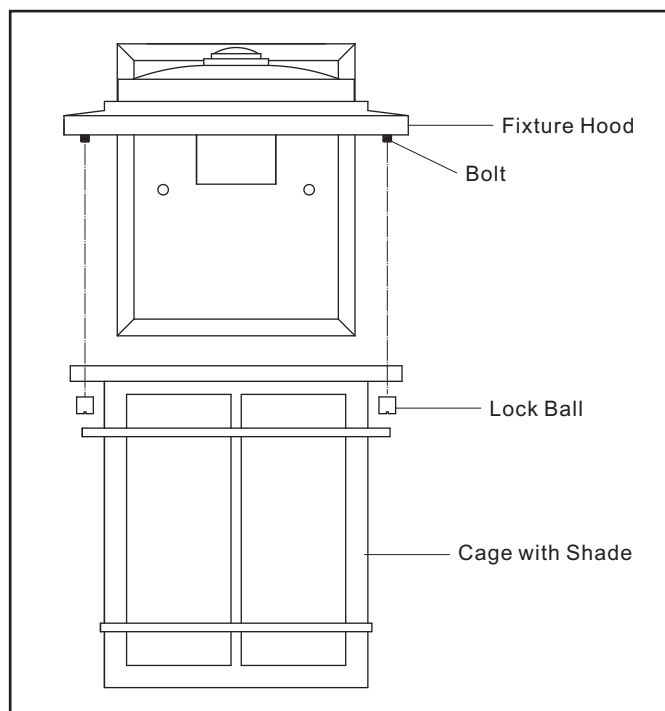
STEP 1:

- a. Take apart the Cage with Shade from the Fixture Body by unlocking the Mounting Balls.
- b. Remove Paper Cards from the top of the Cage with Shade and from the gaps between the Cage and the Shade.



STEP 2:

- a. Place the Bolts in the bottom of the Fixture Hood through the holes on the top edge of the Cage with Shade. Secure them by threading Lock Balls back onto the Bolts. Hand-tighten until snug.

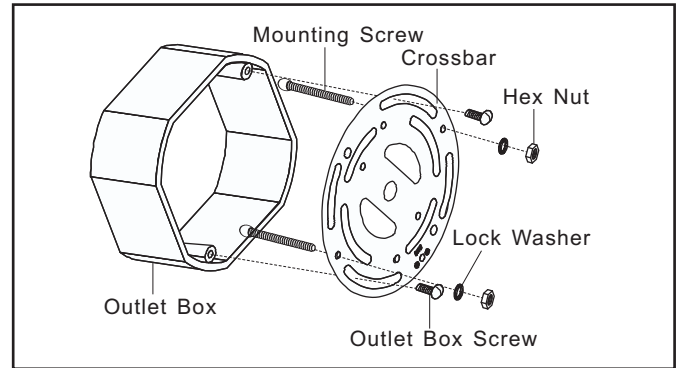


INSTALLATION INSTRUCTIONS

STYLE NUMBER: GLN84071B

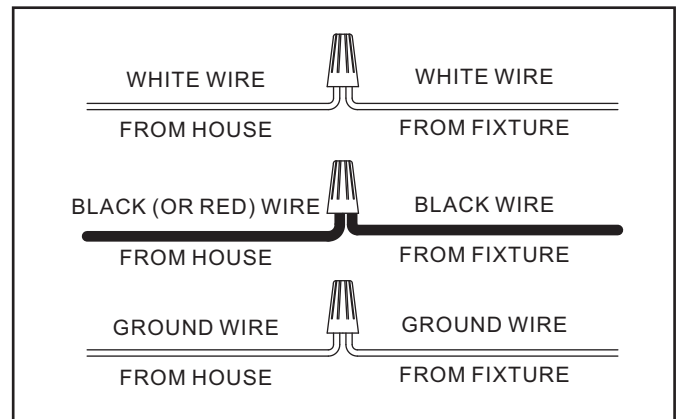
STEP 3:

- a. Screw the Mounting Screws into the Crossbar, place the Lock Washers over the Mounting Screws and thread the Hex Nuts onto the Mounting Screws as shown. Secure the position of the Mounting Screws by tightening the Hex Nuts against the Crossbar.
- b. Secure the Crossbar to the Outlet Box with Outlet Box Screws.



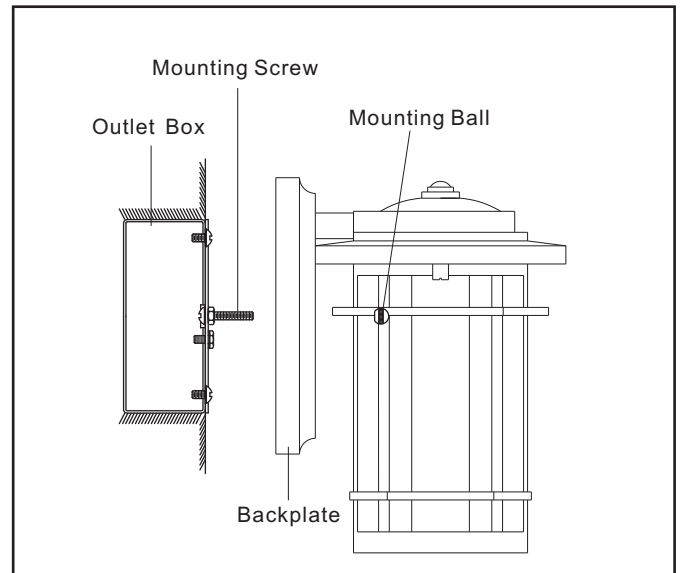
STEP 4:

- ★ Use Wire Connectors (not supplied) to connect the wires.
- a. Connect the House Ground Wire to the Fixture Ground Wire.
 - b. Connect the House White Wire to the Fixture Supply Wire (White Wire).
 - c. Connect the House Black (or Red) Wire to the Fixture Supply Wire (Black Wire).
 - d. Wrap each connection with approved electrical tape and carefully stuff all of the connected wires into the Outlet Box.



STEP 5:

- a. Place the Backplate over the Mounting Screws and secure with the Mounting Balls. Hand-tighten until snug.

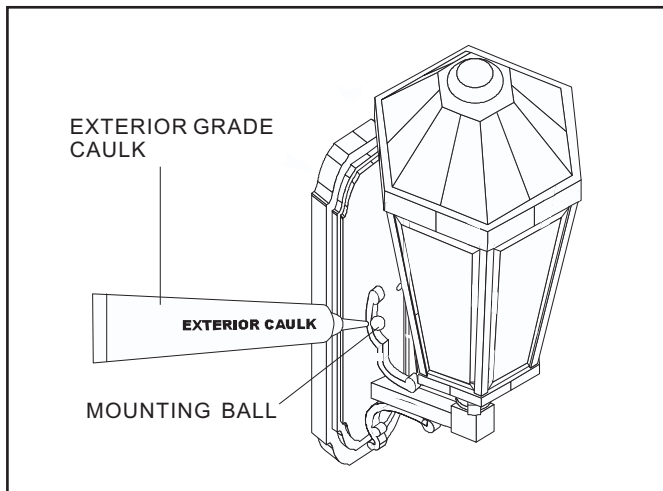


STEP 6:

- a. Install the correct Bulb referring to fixture markings and/or labels for maximum wattage.

STEP 7:

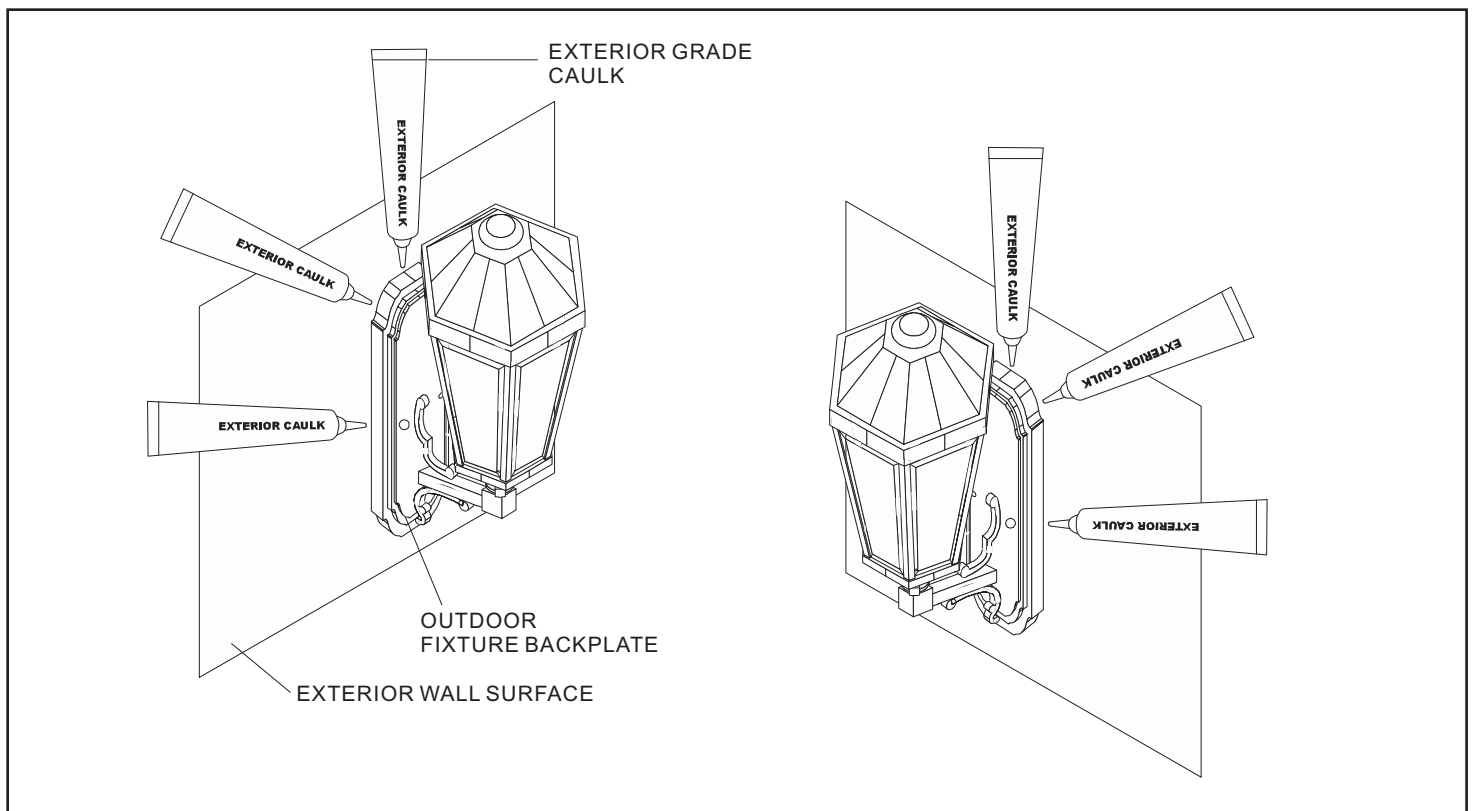
a. Refer to the following information for caulking instructions:



For assemble the MOUNTING BALLS, please note that you are required to apply a small amount of Silicone sealer to the threaded side of the MOUNTING BALLS and then install them onto the MOUNTING SCREWS.

With the OUTDOOR FIXTURE properly installed in accordance with supplied Assembly/installation instructions, proceed with caulking instructions below.

Note: Be sure EXTERIOR WALL SURFACE and FIXTURE BACKPLATE are free to dirt to caulking. Using EXTERIOR GRADE CAULK, start on one side of FIXTURE BACKPLATE and follow contour, were the FIXTURE BACKPLATE meets the EXTERIOR WALL SURFACE upward. Proceed to caulk over top of backplate and down other side. **DO NOT CAULK BOTTOM OF FIXTURE BACKPLATE** to ensure proper moisture drainage.



Your installation is completed now. Restore electricity. Retain this sheet for future reference.