

Tools Required: Flathead screwdriver, Phillips screwdriver, pliers, wire cutters, wire strippers, electrical tape, safety glasses.

Bulb Recommended: (3) Candelabra Base Bulbs 60W Maximum

Estimated Assembly Time: 30-45 minutes

Preparation: Identify and inspect all parts before beginning installation. Check package content list and diagrams below to be sure all parts are present. If any parts are missing or damaged, do not attempt to assemble, install, or operate the fixture. Contact customer service for replacement parts.

⚠ Warnings and Cautions

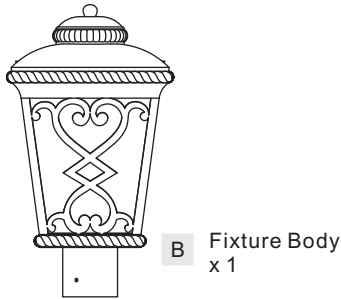
Turn off electricity at circuit breaker or main fuse box before installation. Consult a licensed electrician if in doubt.

These instructions are provided for your safety. It is very important you read them completely before installing the fixture. We strongly recommend that a licensed, professional electrician perform the installation.

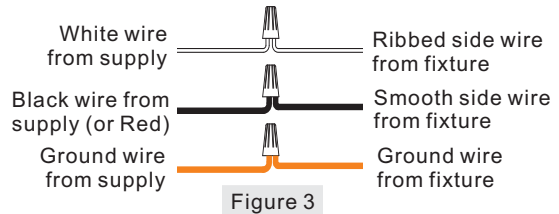
Disconnect fixture from power source before replacing bulbs. Make sure bulbs are given sufficient time to cool before removal. Do not subject glass parts to any shock while in operation or shattering may result.

Package Contents

A Mounting Screw
x 3



connectors until wires are tightly joined together. Wrap each connection with approved electrical tape and carefully stuff all the connected wires into the Outlet Box.



STEP 1 – Install Bulb

- A. Remove Fixture Hood from the top of the Cage by unscrewing Lock Screws.
- B. This fixture uses candelabra bulbs with standard screw base. Maximum 60 watts. Insert bulb and screw snugly into place.
- C. Place Fixture Hood back onto the top edge of the Cage and secure with Lock Screws. Hand tighten until snug.

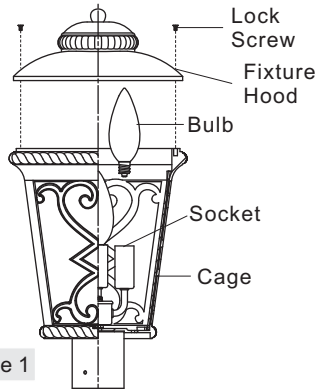


Figure 1

STEP 4 – Attach Fixture Body to Post

- A. Coat the top 1" of the Post with Clear Silicone Caulk (not supplied) and position the Post Fitter onto the Post. Be sure to seat it completely, aligning the holes in the Fitter with the 1/16" Pilot Holes drilled into the Post.
- B. Secure the Fixture to Post with (3) Mounting Screws (A).

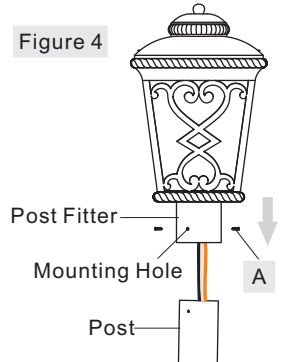


Figure 4

Your fixture is now assembled and ready to use. Enjoy!

STEP 2 – Drill Pilot Holes on Post

- A. Carefully fit the Post Fitter over the end of the Post (not supplied), making sure the Post Fitter is fully seated.
- B. Mark the drill point for the (3) Mounting Screws, using (3) Mounting Holes as reference. After marking hole locations, remove fixture from post and drill 1/16" pilot holes for screws.

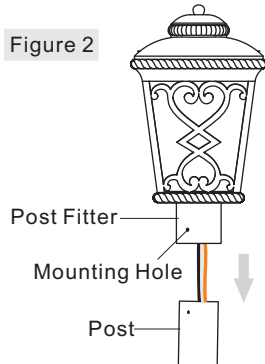
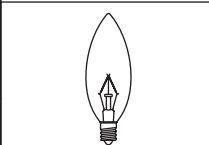


Figure 2

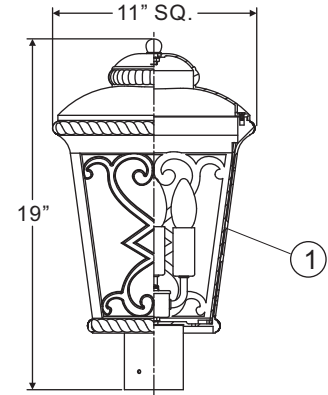
FQ9011AW/FQ9011MK

FINISH: ANTIQUE BROWN/
MARCADO BLACK

NOTE: ALL DIMENSIONS ARE
ROUNDED UP TO THE NEAREST 1/2"



(3) 60W Candelabra
Base Bulbs
(Not Supplied)



STEP 3 - Wire Connections

- A. Use standard wire connectors (not included) to make all wire connections. (Connectors are not included with fixture.) Twist

NO.	PART NUMBER	REPLACEMENT PART	REQ.
1	G4029A	GLASS PANEL	4

Thank you for purchasing a Quoizel product.
Need assistance with parts or assembly? Call Quoizel customer service at 1-631-273-2700
or visit us on-line at www. quozel. com