

Tools Required: Flathead screwdriver, Phillips screwdriver, pliers, wire cutters, wire strippers, electrical tape, safety glasses.

Bulb Recommended: (3) G9 Base Frosted G9 Halogen bulb, 60W Maximum

Estimated Assembly Time: 20-30 minutes

Preparation: Identify and inspect all parts before beginning installation. Check package content list and diagrams below to be sure all parts are present. If any parts are missing or damaged, do not attempt to assemble, install, or operate the fixture. Contact customer service for replacement parts.

⚠ Warnings and Cautions

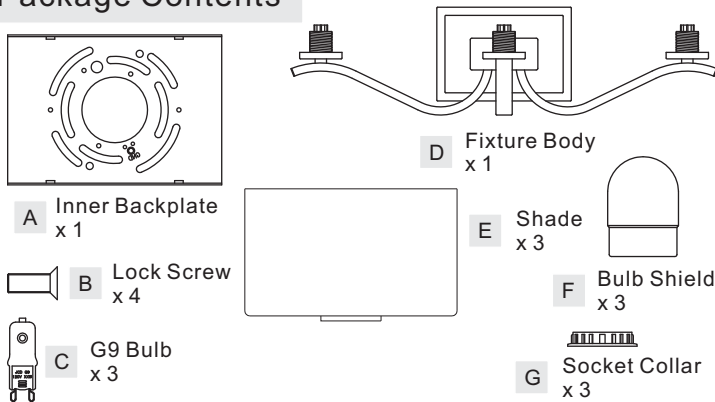
Turn off electricity at circuit breaker or main fuse box before installation. Consult a licensed electrician if in doubt.

These instructions are provided for your safety. It is very important you read them completely before installing the fixture. We strongly recommend that a licensed, professional electrician perform the installation.

Disconnect fixture from power source before replacing bulbs. Make sure bulbs are given sufficient time to cool before removal. Do not subject glass parts to any shock while in operation or shattering may result.

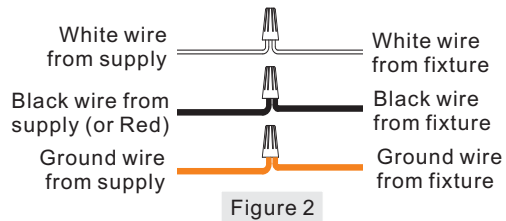
Do not touch the bulb with bare hands use a cloth or glove.

Package Contents



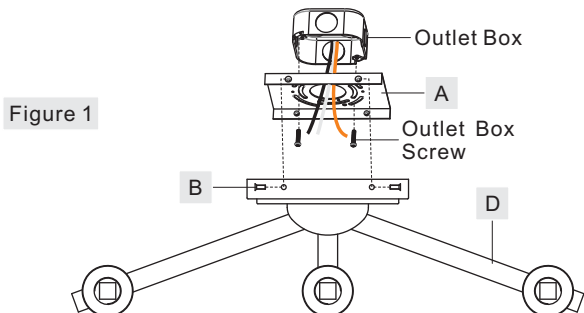
STEP 2 - Wire Connections

A. Use standard wire connectors (not included) to make all wire connections. (Connectors are not included with fixture.) Twist connectors until wires are tightly joined together. Wrap each connection with approved electrical tape and carefully stuff all the connected wires between Inner Backplate (A) and Fixture Body (D).



STEP 1 - Install Inner Backplate and Fixture Body

- A. Pass the supply wires through Inner Backplate (A). Attach Inner Backplate (A) to Outlet Box with the head of Green Ground Screw facing you. Secure it with Outlet Box Screws (not included). Tighten until snug.
- B. Race all supply wires through the Inner Backplate (A) as shown. Refer to Step 2 for wiring connections. Refer to Step 2 for wiring connections.
- C. Attach Fixture Body (D) over Inner Backplate (A) and secure with Lock Screws (B). Tighten until snug with screwdrivers.

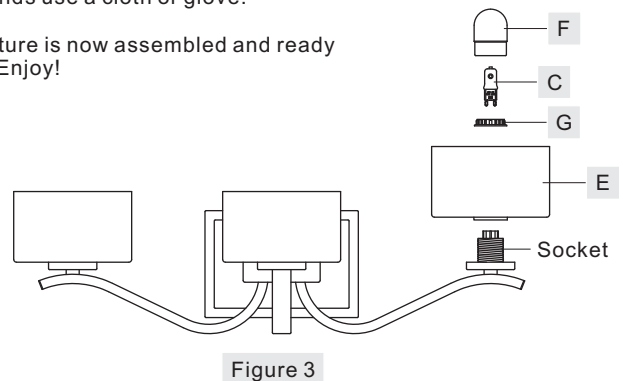


STEP 3 - Install Shades, Bulbs and Bulb Shields

- A. Place Shade (E) over Socket and secure with Socket Collar (G).
- B. This fixture uses frosted G9 halogen bulb (C) with G9 base. Maximum 60 watts. Insert bulb and push snugly into place.
- C. Thread Bulb Shield (F) onto the Socket and hand tighten until snug.

IMPORTANT: Do not touch the bulb with bare hands use a cloth or glove.

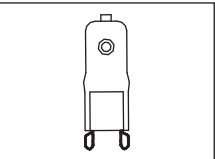
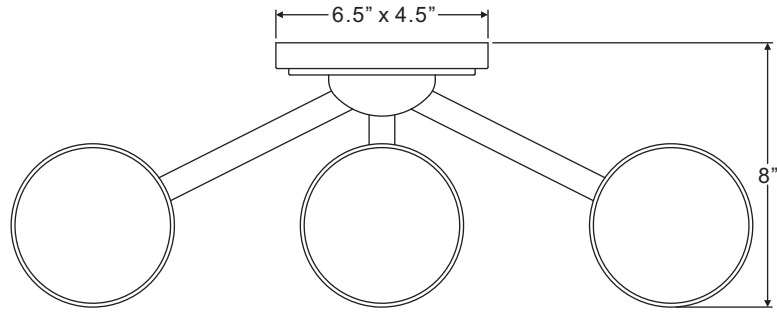
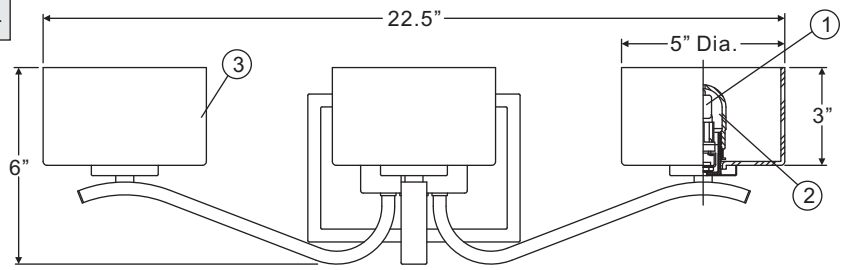
Your fixture is now assembled and ready to use. Enjoy!



Thank you for purchasing a Quoizel product.
Need assistance with parts or assembly? Call Quoizel customer service at 1-631-273-2700
or visit us on-line at www.quoizel.com

DVN8603C/DVN8603BN

FINISH: POLISHED CHROME/BRUSHED NICKEL



(3) 60W Maximum Frosted G9 Halogen Bulbs (Supplied)

NOTE: ALL DIMENSIONS ARE ROUNDED UP TO THE NEAREST 1/2"

NO.	PART NUMBER	REPLACEMENT PART DESCRIPTION	REQ.
1	I830SF	BULB 130V 60W HALOGEN G9 FROSTED	3
2	G2830BS	BULB SHIELD	3
3	G3661SH	GLASS OPAL ETCHED FOR DVN8602C-03C-04C	3

Thank you for purchasing a Quoizel product.
 Need assistance with parts or assembly? Call Quoizel customer service at 1-631-273-2700
 or visit us on-line at www.quoizel.com