

Tools Required: Flathead screwdriver, Phillips screwdriver, pliers, wire cutters, wire strippers, electrical tape, safety glasses.

Bulb Recommended: (1) Medium Base 100W Maximum, Alternate bulb (1) 23W CFL

Estimated Assembly Time: 30-45 minutes

Preparation: Identify and inspect all parts before beginning installation. Check package content list and diagrams below to be sure all parts are present. If any parts are missing or damaged, do not attempt to assemble, install, or operate the fixture. Contact customer service for replacement parts.

Fixture can only be mounted in the direction indicated on page 2.

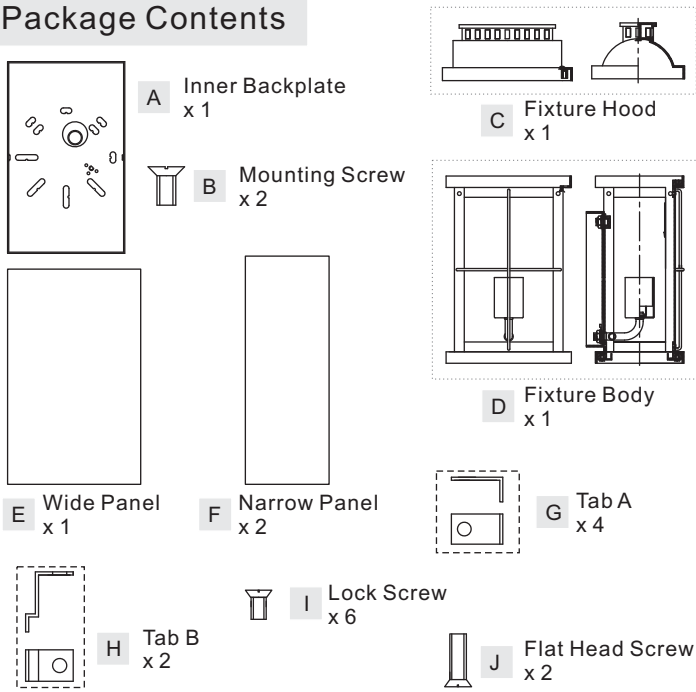
⚠ Warnings and Cautions

Turn off electricity at circuit breaker or main fuse box before installation. Consult a licensed electrician if in doubt.

These instructions are provided for your safety. It is very important you read them completely before installing the fixture. We strongly recommend that a licensed, professional electrician perform the installation.

Disconnect fixture from power source before replacing bulbs. Make sure bulbs are given sufficient time to cool before removal. Do not subject glass parts to any shock while in operation or shattering may result.

Package Contents



properly. Attach Tabs A (G) to top edge of Narrow Panels (F) and line up holes on Tabs A (G) to mounting holes on the top edge of the Fixture Body (D). Secure them with Lock Screws (I) and hand tighten until snug.
B. Insert the Wide Panel (E) into the front of the Fixture Body (D) properly. Attach Tabs B (H) to top edge of the Wide Panel (E) and line up holes on Tabs B (H) to mounting holes on the top edge of the Fixture Body (D). Secure them with Lock Screws (I) and hand tighten until snug.

STEP 2 - Install Bulb

- A. This fixture uses standard bulb with medium screw base. Maximum 100 watts.
- B. Insert bulb and screw snugly into place.

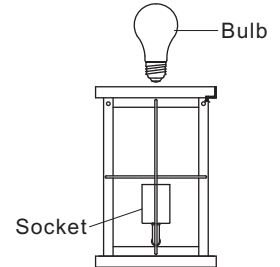


Figure 2

STEP 3 - Attach Fixture Hood onto Fixture Body

- A. Line up the hole on the Fixture Body (D) and the mounting hole on the Fixture Hood (C). Secure by threading Flat Head Screw (J) into mounting hole on the Fixture Hood (C). Tighten until snug with screwdrivers.

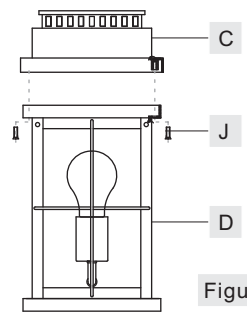


Figure 3

STEP 1 - Install Panels

- A. Insert Narrow Panels (F) into the side of the Fixture Body (D)

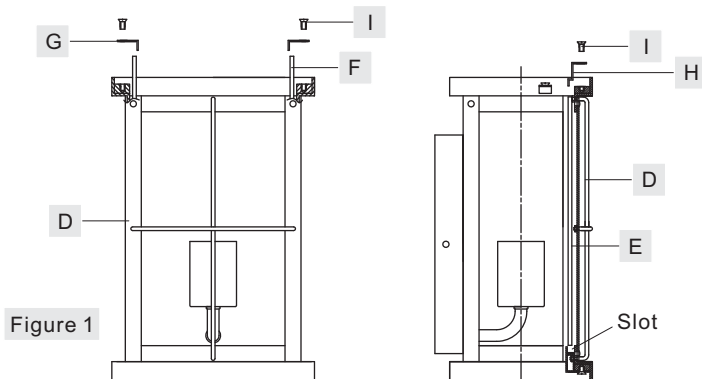


Figure 1

STEP 4 - Install Inner Backplate and Fixture Body

- A. Pass the supply wires through Inner Backplate (A). Attach Inner Backplate (A) to Outlet Box with the head of Green Ground Screw facing you. Secure it with Outlet Box Screws (not included). Tighten until snug.
- B. Race all supply wires through the Inner Backplate (A) as shown. Refer to Step 5 for wiring connections.

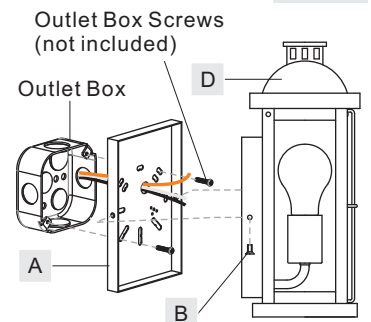


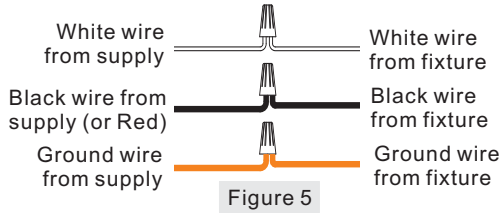
Figure 4

Thank you for purchasing a Quoizel product.
Need assistance with parts or assembly? Call Quoizel customer service at 1-631-273-2700
or visit us on-line at www.quoise.com

C. Attach Fixture Body (D) over Inner Backplate (A) and secure with Lock Screws (B). Tighten until snug with screwdrivers.

STEP 5 - Wire Connections

A. Use standard wire connectors (not included) to make all wire connections. (Connectors are not included with fixture.) Twist connectors until wires are tightly joined together. Wrap each connection with approved electrical tape and carefully stuff all the connected wires into the Outlet Box.



STEP 6 - Apply Silicone Sealer

A. Make sure exterior wall surface and fixture backplate are free of dirt before applying caulk. Using exterior grade caulk, caulk over top of backplate and down other side. Do not caulk bottom of fixture backplate to ensure proper moisture drainage.

Your fixture is now assembled and ready to use. Enjoy!

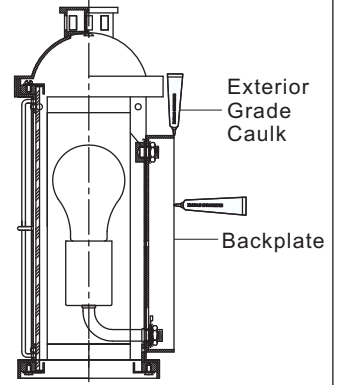
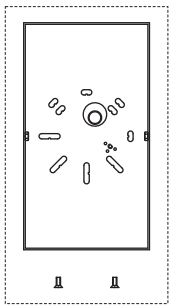


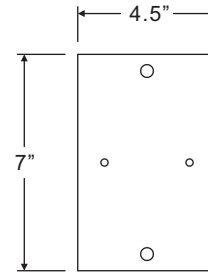
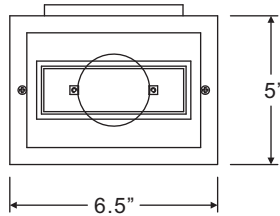
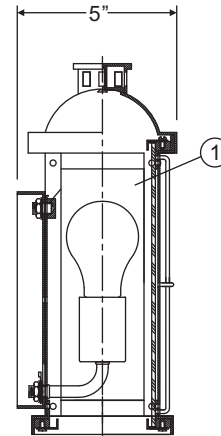
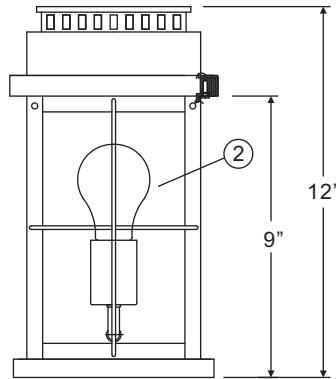
Figure 6

CTD84071B

FINISH: IMPERIAL BRONZE



↑
Fixture can only be mounted in the direction indicated



(1) 100W Medium Base Bulb (Not Supplied)

NOTE: ALL DIMENSIONS ARE ROUNDED UP TO THE NEAREST 1/2"

NO.	PART NUMBER	REPLACEMENT PART DESCRIPTION	REQ.
1	G3993PA	PANEL CLEAR WATER GLASS	2
2	G3994PA	PANEL CLEAR WATER GLASS	1

Thank you for purchasing a Quoizel product.
Need assistance with parts or assembly? Call Quoizel customer service at 1-631-273-2700 or visit us on-line at www.quoise.com