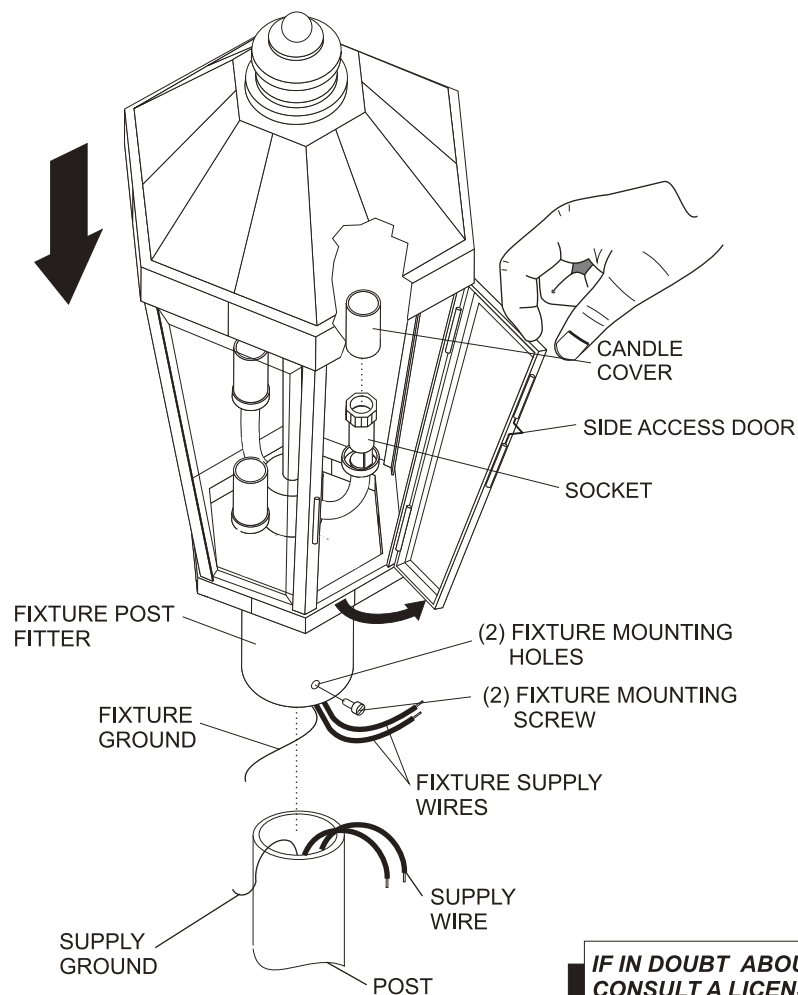


FIGURE 1.

Note: generic illustration



INSTALLATION INSTRUCTIONS:

1. Before beginning the installation, carefully unpack and identify parts, referring to FIGURE 1.
2. Turn the electrical power to the installation point OFF.
3. Carefully fit the FIXTURE POST FITTER over the end of the POST, making sure the FIXTURE POST FITTER is fully seated. Mark the (2) drill points for the FIXTURE MOUNTING SCREWS, using (2) FIXTURE MOUNTING HOLES as reference. After marking hole locations, remove FIXTURE from POST and drill (2) 1/16" pilot holes for screws.
4. **Make the wiring connections:** Connect the WHITE SUPPLY WIRE from the POST to the WHITE (or RIBBED) FIXTURE WIRE; connect the BLACK (or RED) SUPPLY WIRE from the POST to the BLACK (or SMOOTH) FIXTURE WIRE. Connect the SUPPLY GROUND WIRE to the FIXTURE GROUND WIRE. (Note: wire connectors are not supplied by Quozel.)
5. Coat the top 1" of the POST with SILICONE CAULK and locate the FIXTURE POST FITTER onto the POST. Be sure to seat it completely, aligning the (2) holes in the FITTER with the (2) 1/16" PILOT HOLES drilled into the POST. Secure the FIXTURE to POST with (2) FIXTURE MOUNTING SCREWS (supplied).
6. With the FIXTURE installed, open the SIDE ACCESS DOOR. Locate the CANDLE COVERS (qty. depends on style purchased) and fit them over SOCKETS. Proceed to install BULBS. (See fixture markings and/or labels for maximum wattage). Close SIDE ACCESS DOOR.
7. Restore electrical power to the installation point. Retain this sheet for future reference or service.

**IF IN DOUBT ABOUT ELECTRICAL INSTALLATION,
 CONSULT A LICENSED ELECTRICIAN**

IMPORTANT NOTE: MAXIMUM INSTALLED HEIGHT: 25 FEET

All conditions, installations and wiring must be in accordance with any applicable codes or ordinances. If you are in doubt about any portion of this installation, consult a qualified licensed electrician.