

Quoizel, Inc.  
 6 Corporate Parkway  
 Goose Creek, SC  
 29445

Customer Service  
 Phone 631.273.2700  
 Fax 631.231.7102  
 www. quoizel. com

## Assembly Instruction Sheet #IS-BGT8602BN For Style BGT8602BN

**Tools Required:** Flathead screwdriver, Phillips screwdriver, pliers, wire cutters, wire strippers, electrical tape, safety glasses.

**Bulb Recommended:** (2) Medium Base Bulbs 100W Maximum

**Estimated Assembly Time:** 20-30 minutes

**Preparation:** Identify and inspect all parts before beginning installation. Check package content list and diagrams below to be sure all parts are present. If any parts are missing or damaged, do not attempt to assemble, install, or operate the fixture. Contact customer service for replacement parts.

### Warnings and Cautions

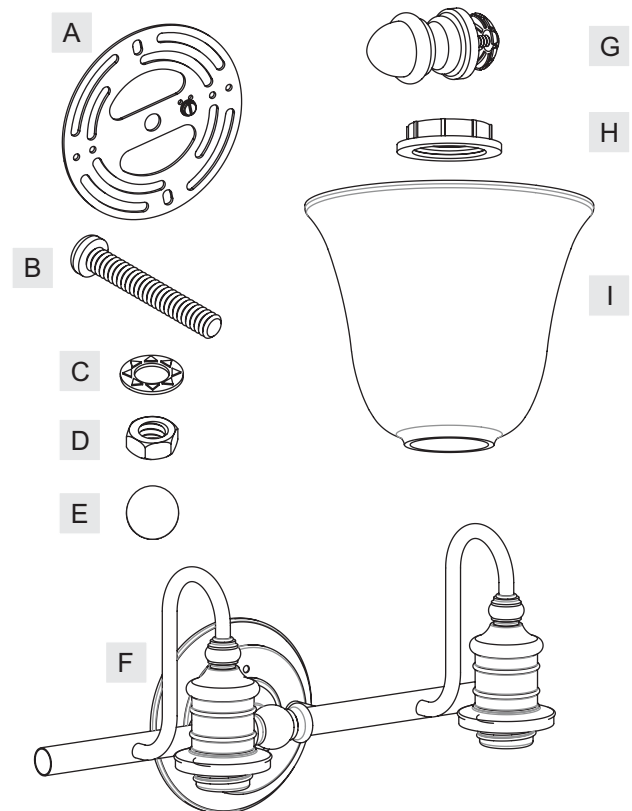
Turn off electricity at circuit breaker or main fuse box before installation. Consult a licensed electrician if in doubt.

These instructions are provided for your safety. It is very important you read them completely before installing the fixture. We strongly recommend that a licensed, professional electrician perform the installation.

Disconnect fixture from power source before replacing bulbs. Make sure bulbs are given sufficient time to cool before removal. Do not subject glass parts to any shock while in operation or shattering may result.

### Package Contents

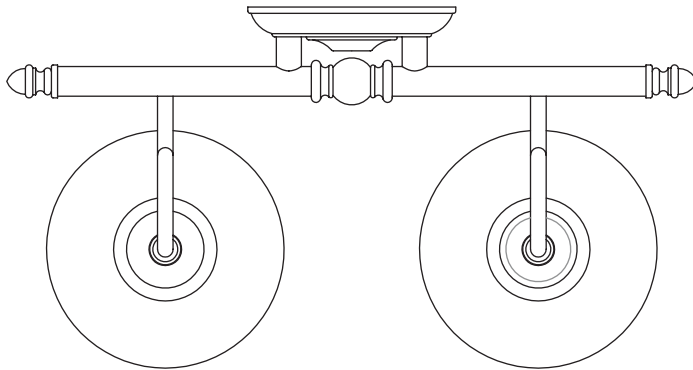
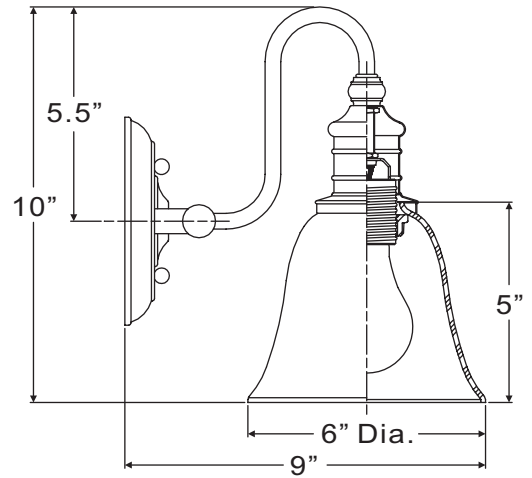
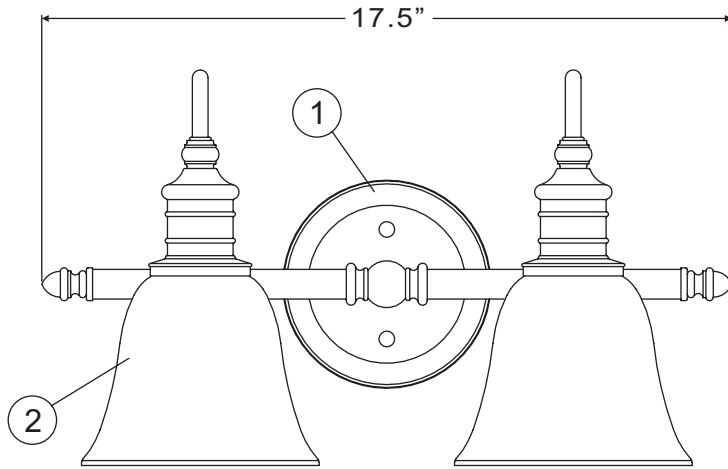
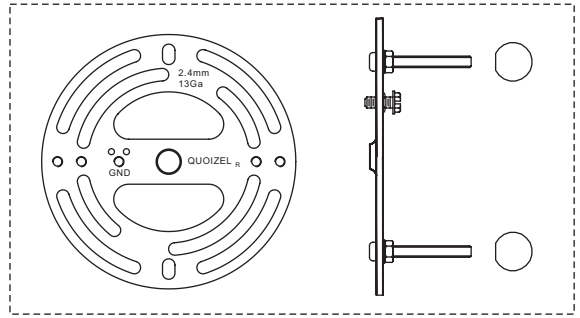
| Part | Description    | Quantity |
|------|----------------|----------|
| A    | Crossbar       | 1 pc.    |
| B    | Mounting Screw | 2 pcs.   |
| C    | Lock Washer    | 2 pcs.   |
| D    | Hex Nut        | 2 pcs.   |
| E    | Mounting Ball  | 2 pcs.   |
| F    | Fixture Body   | 1 pc.    |
| G    | Finial         | 2 pcs.   |
| H    | Socket Collar  | 2 pcs.   |
| I    | Shade          | 2 pcs.   |



**Thank you for purchasing a Quoizel product.**  
**Need assistance with parts or assembly? Call Quoizel customer service at 1-631-273-2700**  
**or visit us on-line at [www. quoizel. com](http://www. quoizel. com)**

BGT8602BN

FINISH: BRUSHED NICKEL



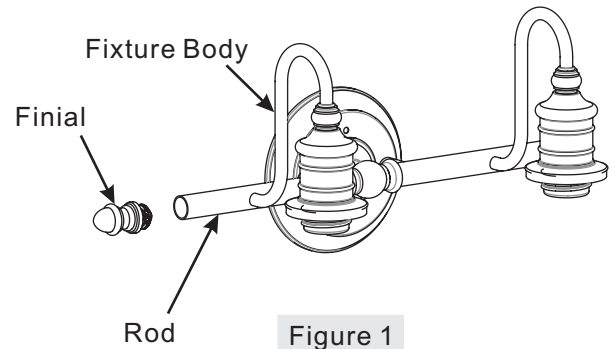
(2)100W Medium Base Bulbs (Not Supplied)

NOTE: ALL DIMENSIONS ARE ROUNDED UP TO THE NEAREST 1/2"

| NO. | PART NUMBER | REPLACEMENT PART DESCRIPTION  | REQ. |
|-----|-------------|-------------------------------|------|
| 1   | 18602BNBGT  | BASE BRUSHED NICKEL BGT8602BN | 1    |
| 2   | G3519SH     | GLASS SHADE CLEAR OPAL        | 2    |

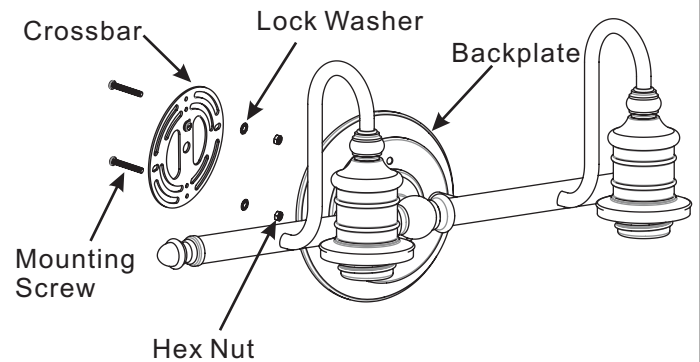
**STEP 1 – Attach Finial to Fixture Body**

A. Insert the Finials (G) to the ends of the Rods.



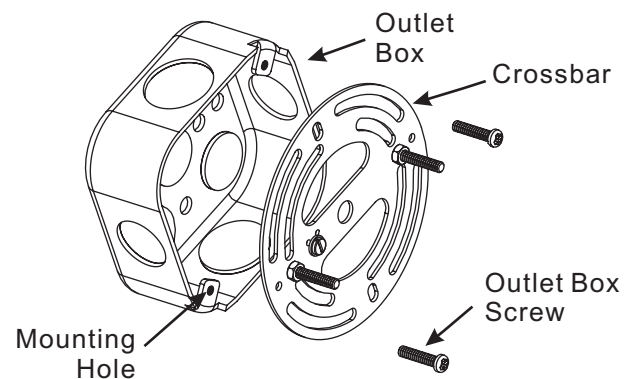
**STEP 2 – Attach Mounting Screws, Lock Washers and Hex Nuts to Crossbar**

- A. Line up a set of holes on the Crossbar (A) and Holes on the Backplate.
- B. Thread Mounting Screws (B) into the holes on the Crossbar (A), pass Lock Washers (C) and thread Hex Nut (D) onto the Mounting Screws (B). Hand tighten until snug.



**STEP 3 – Attach Crossbar to Outlet Box**

- A. Attach the Crossbar (A) to Outlet Box and secure by threading Outlet Box Screws (not supplied) into the Mounting Holes on the Outlet Box. Tighten until snug.



**Thank you for purchasing a Quozel product.**  
**Need assistance with parts or assembly? Call Quozel customer service at 1-631-273-2700**  
**or visit us on-line at [www. quozel. com](http://www. quozel. com)**

### STEP 4 – Make Wire Connections

- A. Use standard wire connectors to make all wire connections. (Connectors are not included with fixture.) Strip and prepare wire ends according to instructions supplied with connectors.
- B. Connect White Supply Wire from the Outlet Box to White Wire from fixture.
- C. Connect Black (or Red) Supply Wire from the Outlet Box to Black Wire from fixture.
- D. Connect Ground Wire from the Outlet Box to Ground Wire from fixture.
- E. Twist connectors until wires are tightly joined together.
- F. Wrap each connection with approved electrical tape and carefully stuff all the connected wires into the Outlet Box.

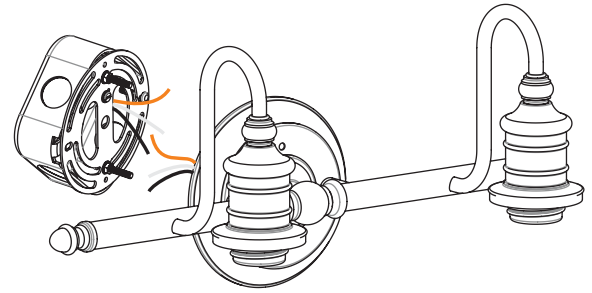


Figure 4

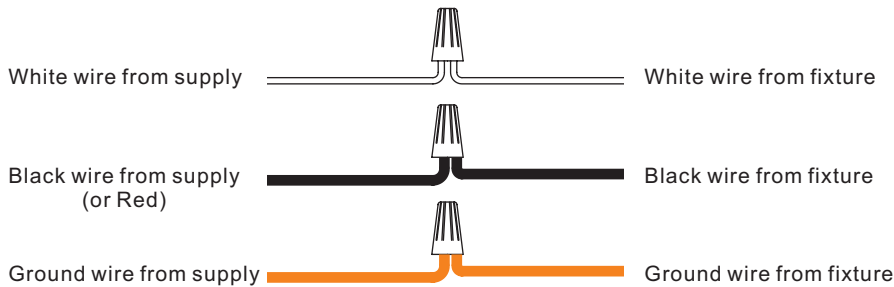


Figure 5

### STEP 5 – Attach Fixture Body to Mounting Screw

- A. Place the Backplate over the Mounting Screws (B) and secure with Mounting Balls (E). Hand tighten until snug.

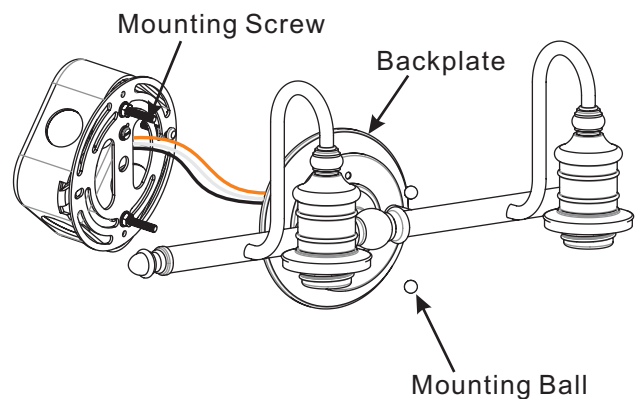


Figure 6

Thank you for purchasing a Quozel product.

Need assistance with parts or assembly? Call Quozel customer service at 1-631-273-2700  
or visit us on-line at [www. quozel. com](http://www. quozel. com)

**STEP 6 – Install Shade**

- A. Place the Shade (I) over the Socket and secure with the Socket Collar (H). Hand tighten until snug.

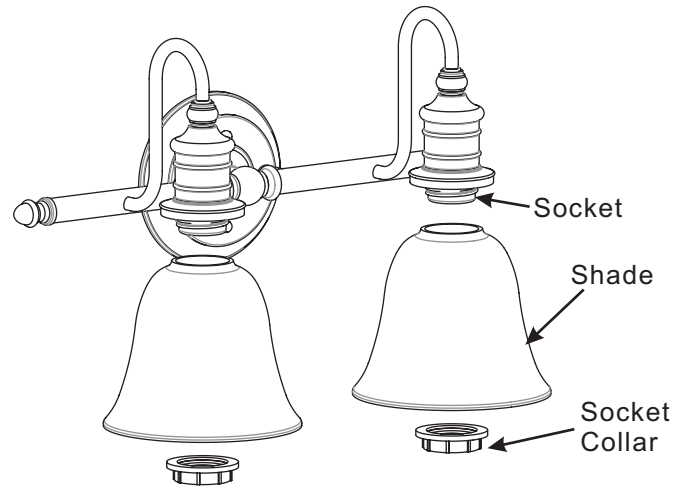


Figure 7

**STEP 7 – Install Bulb**

- A. This fixture uses standard bulb with a standard screw base.  
Maximum 100 watts.  
B. Insert bulb and screw properly into place.

Your fixture is now assembled and ready to use. Enjoy!

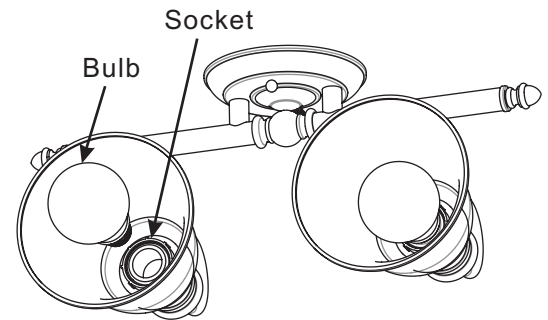


Figure 8

**Thank you for purchasing a Quozel product.  
Need assistance with parts or assembly? Call Quozel customer service at 1-631-273-2700  
or visit us on-line at www. quozel. com**