

Tools Required: Flathead screwdriver, Phillips screwdriver, pliers, wire cutters, wire strippers, electrical tape, safety glasses.

Bulb Recommended: (1) Candelabra Base 60W Maximum.

Estimated Assembly Time: 20-30 minutes

Preparation: Identify and inspect all parts before beginning installation. Check package content list and diagrams below to be sure all parts are present. If any parts are missing or damaged, do not attempt to assemble, install, or operate the fixture. Contact customer service for replacement parts.

Fixture can only be mounted in the direction indicated on page 2.

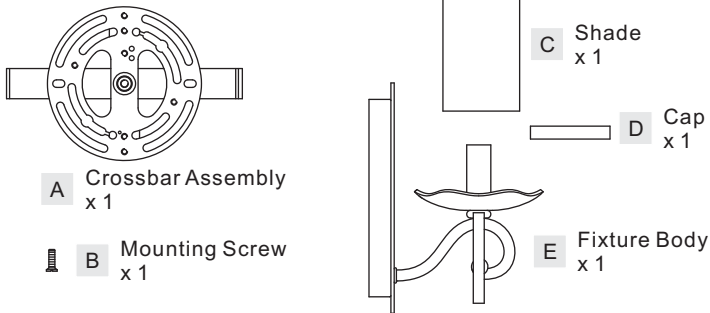
⚠ Warnings and Cautions

Turn off electricity at circuit breaker or main fuse box before installation. Consult a licensed electrician if in doubt.

These instructions are provided for your safety. It is very important you read them completely before installing the fixture. We strongly recommend that a licensed, professional electrician perform the installation.

Disconnect fixture from power source before replacing bulbs. Make sure bulbs are given sufficient time to cool before removal. Do not subject glass parts to any shock while in operation or shattering may result.

Package Contents



Secure by threading Mounting Screw (B) into the mounting hole on the flat bar. Hand tighten until snug.

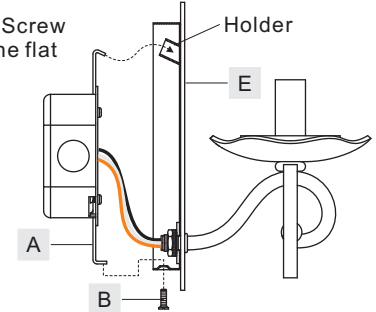


Figure 3

STEP 1 - Install Crossbar Assembly

A. Attach the Crossbar Assembly (A) to the Outlet Box with the head of the Green Ground Screw facing you. Make sure the Flat Bar is vertical before you tighten it to outlet box with outlet box screws (not included). Hand tighten until snug.

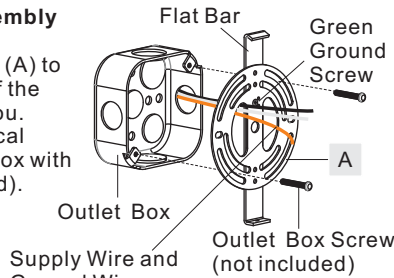


Figure 1

STEP 4 - Install Shade and Bulb

A. Place the Cap (D) and Shade (C) over the socket.
B. This fixture uses candelabra bulb with standard screw base. Maximum 60 watts. Insert bulb and screw snugly into place.

Your fixture is now assembled and ready to use. Enjoy!

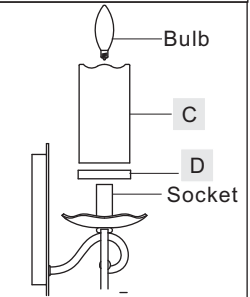


Figure 4

STEP 2 - Wire Connections

A. Use standard wire connectors (not included) to make all wire connections. (Connectors are not included with fixture.) Twist connectors until wires are tightly joined together. Wrap each connection with approved electrical tape and carefully stuff all the connected wires into the Outlet Box.

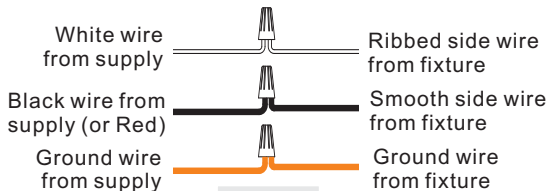
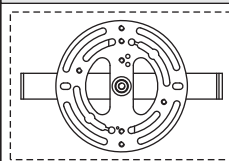


Figure 2

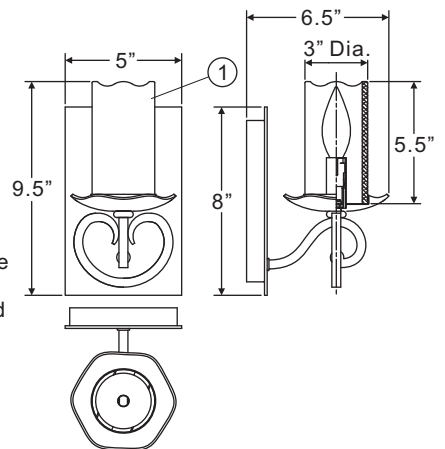
STEP 3 - Install Fixture Body

A. Fit the acute angle on the top end of the flat bar to the Holder in the backplate of the Fixture Body (E). Align the mounting hole on the bottom end of the flat bar to the hole on the bottom of the backplate.

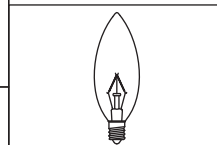
AME8701IB
FINISH: IMPERIAL BRONZE



Fixture can only be mounted in the direction indicated



NOTE: ALL DIMENSIONS ARE ROUNDED UP TO THE NEAREST 1/2"



(1) 60W Candelabra Base Bulb (Not Supplied)

NO.	PART NUMBER	REPLACEMENT PART	REQ.
1	G3905SH	SHADE	1

Thank you for purchasing a Quoizel product.
Need assistance with parts or assembly? Call Quoizel customer service at 1-631-273-2700 or visit us on-line at www. quozel. com