

Tools Required: Flathead screwdriver, Phillips screwdriver, pliers, wire cutters, wire strippers, electrical tape, safety glasses.

Bulb Recommended: (18) Candelabra Base 60W Maximum

Estimated Assembly Time: 30-45 minutes

Preparation: Identify and inspect all parts before beginning installation. Check package content list and diagrams below to be sure all parts are present. If any parts are missing or damaged, do not attempt to assemble, install, or operate the fixture. Contact customer service for replacement parts.

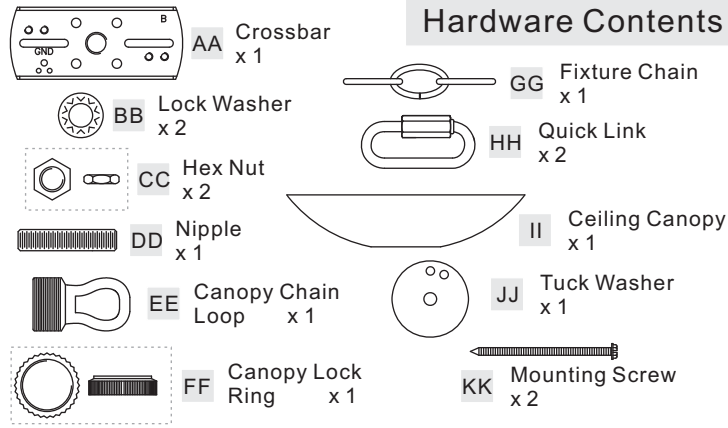
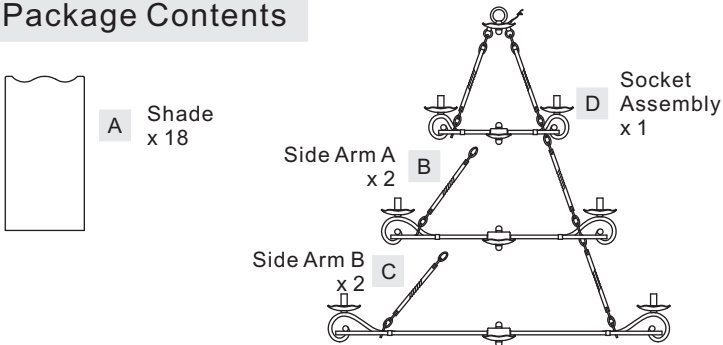
⚠ Warnings and Cautions

Turn off electricity at circuit breaker or main fuse box before installation. Consult a licensed electrician if in doubt.

These instructions are provided for your safety. It is very important you read them completely before installing the fixture. We strongly recommend that a licensed, professional electrician perform the installation.

Disconnect fixture from power source before replacing bulbs. Make sure bulbs are given sufficient time to cool before removal. Do not subject glass parts to any shock while in operation or shattering may result.

Package Contents



STEP 1 - Install Crossbar and Ceiling Canopy

* Pliers is required for this step.

- Drill a 5/8" diameter clearance hole on the top inside center of the Outlet Box and through the Structural Support Member. Place Crossbar (AA) onto Outlet Box and line up mounting holes with a set of holes on Crossbar (AA). Thread Outlet Box Screws (not supplied) into the mounting holes on the Outlet Box and tighten until snug to secure the Crossbar (AA). By using a screwdriver, thread Mounting Screws (KK) into the Structural or Bridging Member and tighten until snug.
- Thread one Hex Nut (CC) to one end of the Nipple (DD) until it is at least 0.25" from the end. Pass one Lock Washer (BB) over the end of the Nipple (DD) and thread the Canopy Chain Loop (EE) onto the Nipple (DD). By using pliers, thread the Hex Nut (CC) against the Canopy Chain Loop (EE) and hand tighten until snug.
- Thread another Hex Nut (CC) to the middle of the Nipple (DD). Place another Lock Washer (BB) over the Nipple (DD) and then

thread the Nipple (DD) into the Crossbar (AA) until the Nipple (DD) is about 0.375" above the Crossbar (AA).

- Remove the Canopy Lock Ring (FF) from the Canopy Chain Loop (EE). Place the Ceiling Canopy (II) over the Canopy Chain Loop (EE) against the ceiling to determine the correct position of the Nipple (DD). Thread the Canopy Lock Ring (FF) onto the Canopy Chain Loop (EE). Adjust the Nipple (DD) to allow the Ceiling Canopy (II) to rest against the ceiling when held in place by the Canopy Lock Ring (FF).
- Remove the Canopy Lock Ring (FF) and the Ceiling Canopy (II). Tighten the Hex Nut (CC) against the Crossbar (AA) to secure in place.

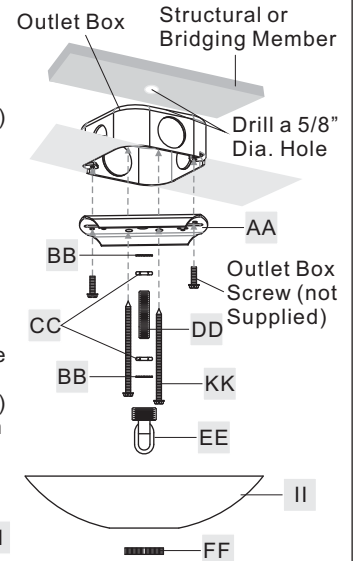


Figure 1

STEP 2 - Attach Side Arms

- Attach Side Arms A (B) to the Hooks on the upper tier and attach Side Arms B (C) to the Hooks on the second tier as shown.

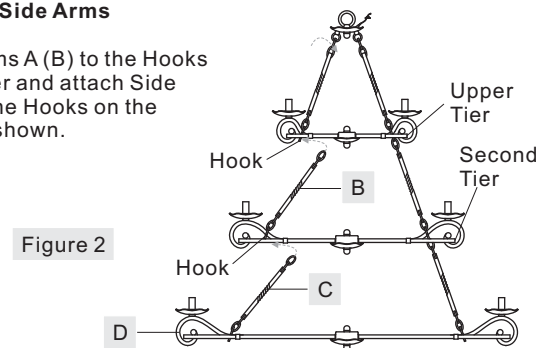


Figure 2

STEP 3 - Install Fixture Chain, Safety Cable and Ceiling Canopy

- Adjust Fixture Chain (GG) to your desired length by removing the links if needed.
* Pliers is required for this step.
- With Fixture Chain (GG) not attached to Fixture Loop (A) and Canopy Chain Loop (EE), pull supply wires and safety cable through Fixture Chain (GG) alternating links. After wires and safety cable are through Fixture Chain (GG), pull Supply Wires, Ground Wire and safety cable through Canopy Lock Ring (FF) and Ceiling Canopy (II) in order.
- Attach one end of Fixture Chain (GG) to Fixture Loop (A) with one

Thank you for purchasing a Quoizel product.
Need assistance with parts or assembly? Call Quoizel customer service at 1-631-273-2700
or visit us on-line at www. quoizel.com

- Quick Link (HH). Lift fixture and Fixture Chain (GG) up and attach other end of Fixture Chain (GG) onto Canopy Chain Loop (EE) with another Quick Link (HH). The fixture will now hang safely. Close chain loop at Ceiling Canopy Loop (EE).
- D. Feed Supply Wires, Ground Wire and Safety Cable through Canopy Chain Loop (EE) and Nipple (DD) into Outlet Box. Cut wires leaving approximately 8" of wire extending from the Outlet Box.
- E. Refer to Step 4 for safety cable installation.
- F. Refer to Step 5 for wire connections.
- G. Raise Ceiling Canopy (II) and Canopy Lock Ring (FF) up Fixture Chain (GG) and over Canopy Chain Loop (EE). Tighten Canopy Lock Ring (FF) onto Canopy Chain Loop (EE) until tight.

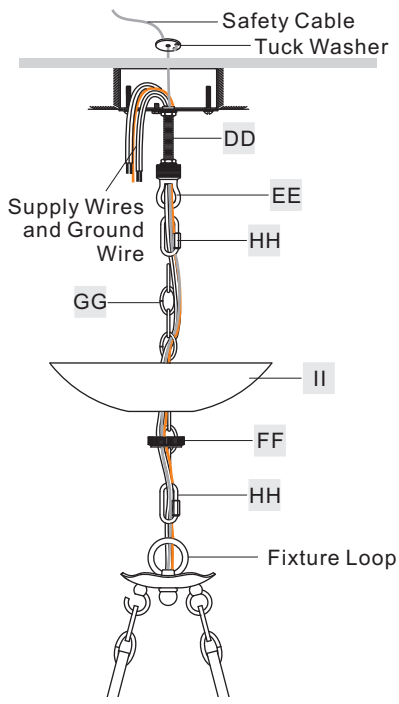


Figure 3

Suggested chain length for Ceiling height :
 10' ceiling : use 5 links of chain and 2 quick links

STEP 4 - Install Safety Cable

- A. Push all slack Safety Cable through center hole of Outlet Box, Structural or Bridging Member and Tuck Washer (JJ).
- B. Push the Cable down through the 12 O'clock Hole. Leaving 1/2" of slack. Then push the Cable up through the 1 O'clock Hole and tuck it under the cable between the Center Hole and the 12 O'clock Hole.
- C. Pull all of excess cable through all of the holes until the Tuck Washer is very close to the Structural or Bridging Member. Remove as much slack as possible out of the Tuck Washer. About 1/2" of slack between Tuck Washer and the hole is acceptable.

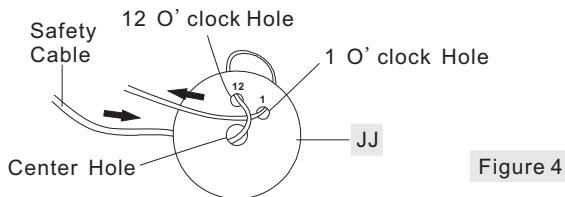


Figure 4

STEP 5 - Wire Connections

- A. Use standard wire connectors (not included) to make all wire connections. (Connectors are not included with fixture.) Twist connectors until wires are tightly joined together. Wrap each connection with approved electrical tape and carefully stuff all the connected wires into outlet box.

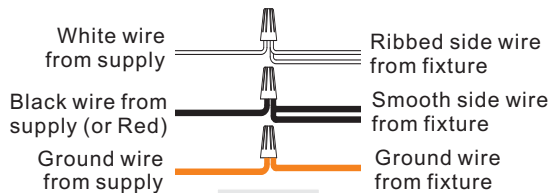


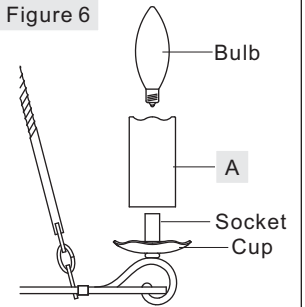
Figure 5

STEP 6 - Install Shade and Bulb

- A. Place the Shade (A) over the socket. Seat the Shade (A) onto the Cup.
- B. This fixture uses candelabra bulb with standard screw base. Maximum 60 watts. Insert bulb and screw snugly into place.

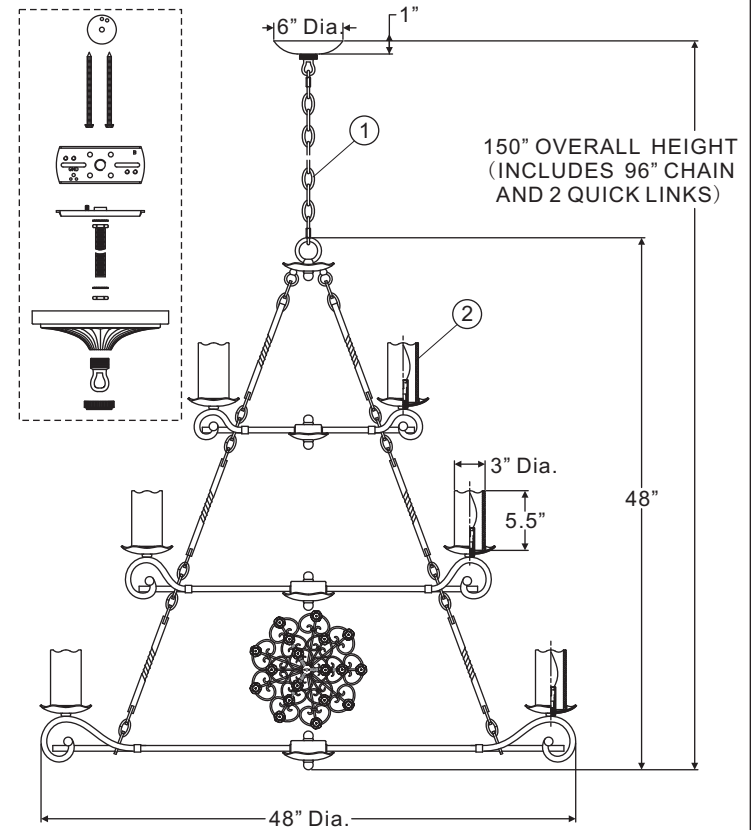
Your fixture is now assembled and ready to use. Enjoy!

Figure 6



AME5018IB
 FINISH: IMPERIAL BRONZE

NOTE: SIX LIGHTS SHOWN FOR ILLUSTRATION PURPOSES ONLY.



(18)60W Candelabra Base Bulbs (Not Supplied)

NOTE: ALL DIMENSIONS ARE ROUNDED UP TO THE NEAREST 1/2"

NO.	PART NUMBER	REPLACEMENT PART	REQ.
1	M2216CHIB	CHAIN	1
2	G3905SH	SHADE	18

Thank you for purchasing a Quoizel product.
 Need assistance with parts or assembly? Call Quoizel customer service at 1-631-273-2700 or visit us on-line at www.quoise.com