

INSTALLATION INSTRUCTIONS

For Model N2972-267B

READ AND SAVE THESE INSTRUCTIONS

WARNING! SHUT POWER OFF AT FUSE OR CIRCUIT BREAKER.

AVERTISSEMENT! COUPER LE COURANT AU NIVEAU DES FUSIBLES OU DU DISJONCTEUR

HANGING THE FIXTURE (Fig. 1)

1. Shut off the power at the fuse box or circuit breaker. If necessary, remove the old fixture, including the mounting hardware.
2. Carefully unpack the new fixture and lay out all the parts on a clear area. Take care not to lose any parts necessary for installation.
3. Attach the circular strap (A) over the outlet box using the mounting screws (B). The side of the circular strap (A) marked "GND" must face out.
4. Thread the two studs (C) part way into the circular strap (A).

CONNECTING THE WIRES (Fig. 2)

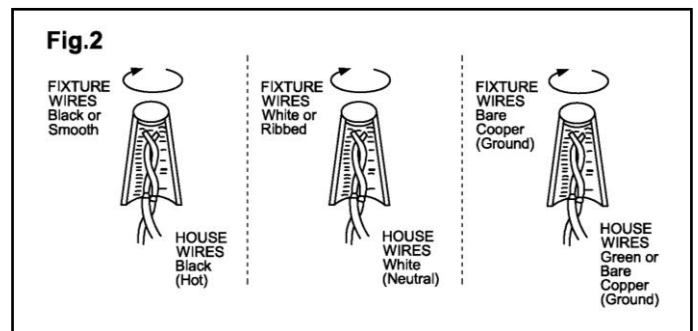
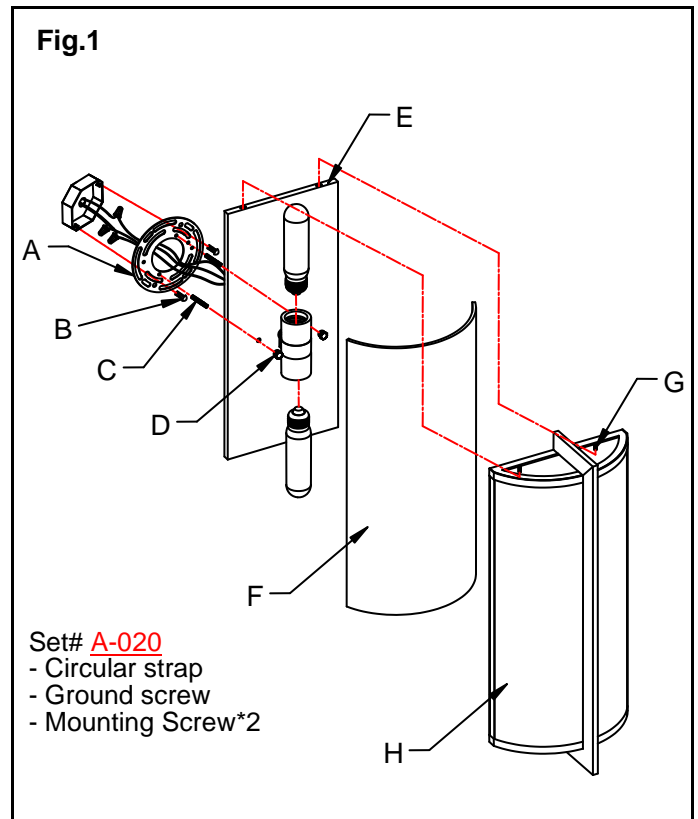
5. At this point, connect the electrical wires as shown in figure 2, making sure that all wire connectors are secured. If your outlet box has a ground wire (green or bare copper), connect the fixture's ground wire to it. Otherwise, connect the fixture's ground wire directly to the circular strap using the green screw provided. After wires are connected, tuck them carefully into the ceiling junction box.

COMPLETING THE INSTALLATION (Fig. 1)

6. Place the back plate (E) over the two studs (C) through the slotted holes and secure the back plate (E) against the wall with the two cap nuts (D).
7. Install the bulb(s) (not included) in accordance with the fixture's specification. **(DO NOT EXCEED THE MAXIMUM WATTAGE RATING!) (NE PAS DEPASSER LA PUISSANCE NOMINALE MAXIMALE!)**
8. Place the glass shade (F) into the metal frame (H) and secure with the clips, then hook the metal frame (H) to back plate (E) through the holes in back plate (E).

Your installation is now complete. Return power to the junction box and test the fixture.

Note: Illustration (Fig. 1) on this manual is for installation purposes only. It may or may not be identical to the fixture purchased.



MIN 75°C SUPPLY CONDUCTORS

