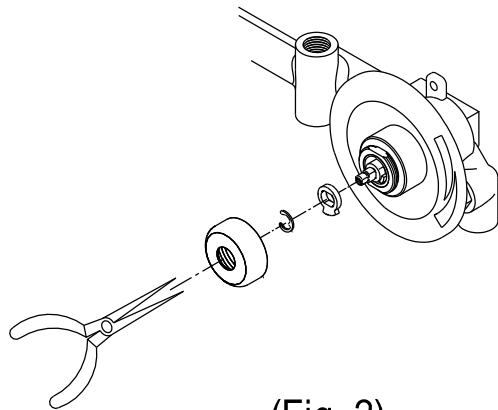


Back to Back installation instructions

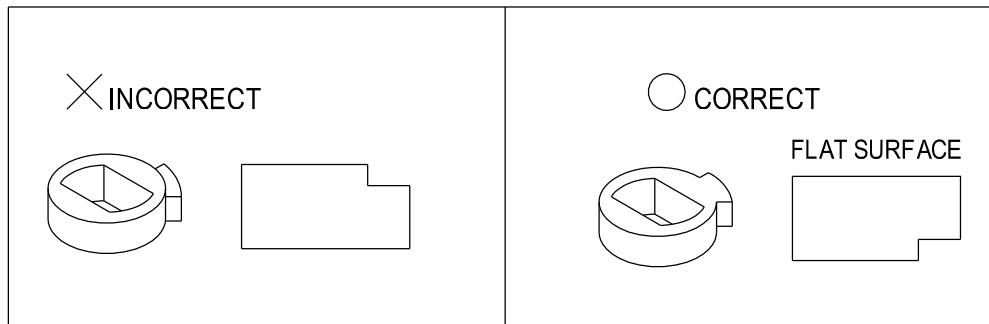
In situations where the hot and cold water inlet supplies are not in the standard positions, a reversible type cartridge can be used. A reversible cartridge will allow you to modify the direction of the water supply to the correct orientation without changing the pipe locations. It is easy to change the installation by yourself by using the following instruction.

1. Remove the handle(1) from the body with hand.(Fig.1)
2. Remove the "E" clip(2) from the cartridge body with pliers.
3. Remove the stem ring(3) from the cartridge body with pliers.
4. Reverse the cartridge stem by turning 180.
(It is not necessary to remove the cartridge.)
5. Replace the stem ring into the cartridge make sure the flat side is on top.
(See Fig.2)
6. Replace the "E" clip onto the cartridge body.
7. Reinstall the cap to the body and hand tighten.

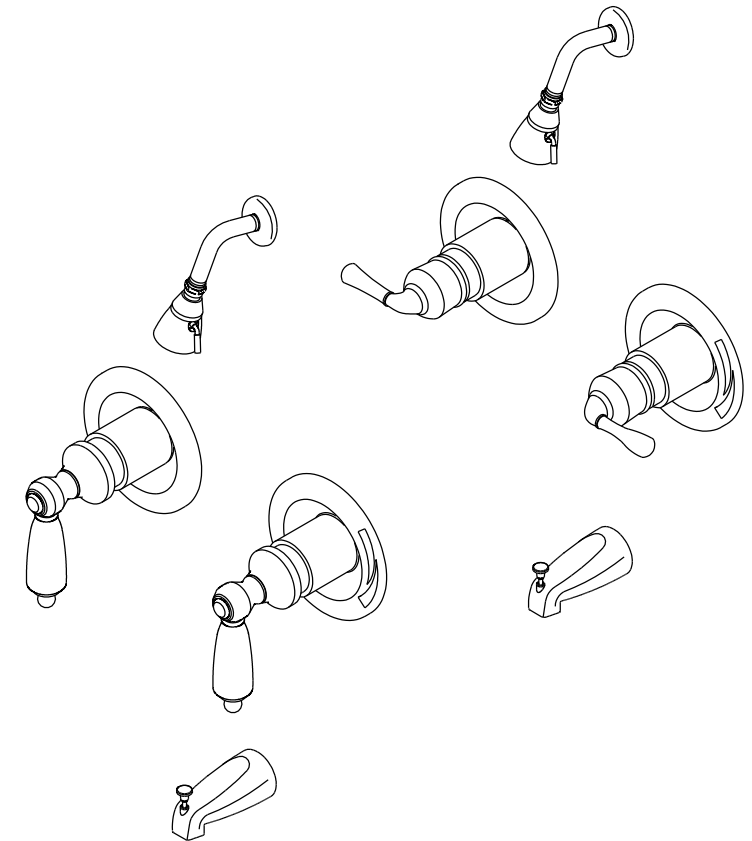
(Fig. 1)



(Fig. 2)



KINGSTON BRASS
THE TRADITION OF FINE BRASS



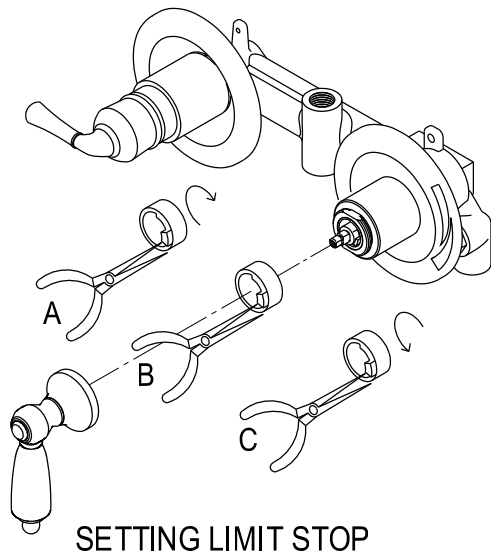
www.kingstonbrass.com
TOLL-FREE CUSTOMER SERVICE: 1-877-2-KBRASS
TECHNICAL SUPPORT E-mail: service@kingstonbrass.com
12775 Reservoir Street, Chino, CA91710

KINGSTON BRASS

THE TRADITION OF FINE BRASS

INSTALLATION INSTRUCTIONS

For Use With KB's Pressure Balancing Valve Tub & Shower



* Attach the handle to the valve. Secure the handle with screw marking sure the handle is installed correctly.

*The limit stop is preset by the manufacturer so that the discharge temperature will not exceed 49 C(120 F). However, the preset temperature can be changed by first removing the handle and then removing the limit stop(Red Knob). Catch the red knob with long nose pliers and pull out from the cartridge for a higher temperature.

(A) Reinstall to the left of the original position in the cartridge for higher temperature.

(B) Reinstall to the right of the original position in the cartridge for a lower.

*Replace handle to the valve.

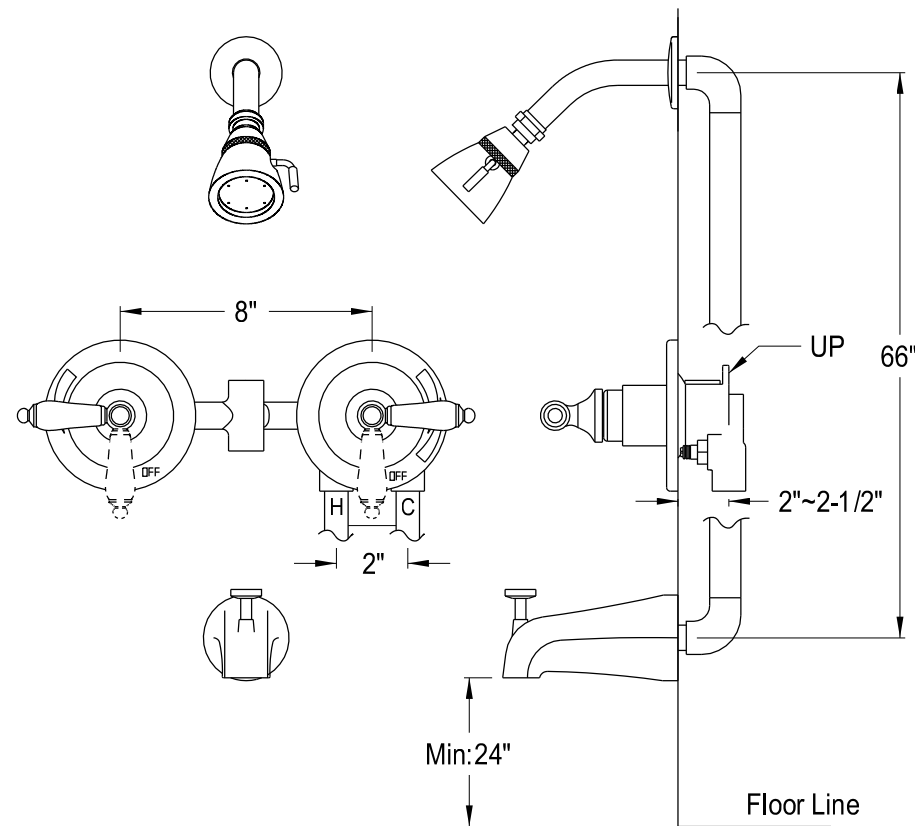
Warning: Failure to adjust the limit stop screw properly may result in serious scalding. This shower system may not protect the user from scalding when there is a failure of other temperature controlling devices elsewhere in the plumbing system.

For New Installation:

An optional plaster guard has been included. This is used as a template for hole size and to protect the valve during construction.

For New Installation:

To clean, wipe gently with a soft cloth, then wipe dry. Do not use abrasive, detergents or polishes, as this could damage the finish and void the warranty.



Pressure Balanced Tub & Shower Set INSTALLATION INSTRUCTIONS:

1. Turn off water supplies.
2. Install valve, marking sure 'up' outlet is facing up. Connect water supplies to valve. (Hot water to left side and cold to right side.) Use compound or tape on all threaded connections.
3. Connect shower and spout units to valve. Do not attach showerhead to shower arm until after you have flushed the system. If no shower is to be installed, use a 1/2" plug to close top opening of valve. If no spout is to be installed, use a 1/2" plug to close bottom opening of valve.
4. After all connection are made. Test and flush the system. Turn on the water and check connections for any leaks. Place handle on valve stem and flush lines by running hot and cold water uninterrupted for one minute.
5. Turn off the water and connect the showerhead.
6. Remove handle. Push valve escutcheon over protruding valve assembly and secure with screws. Then replace handle.