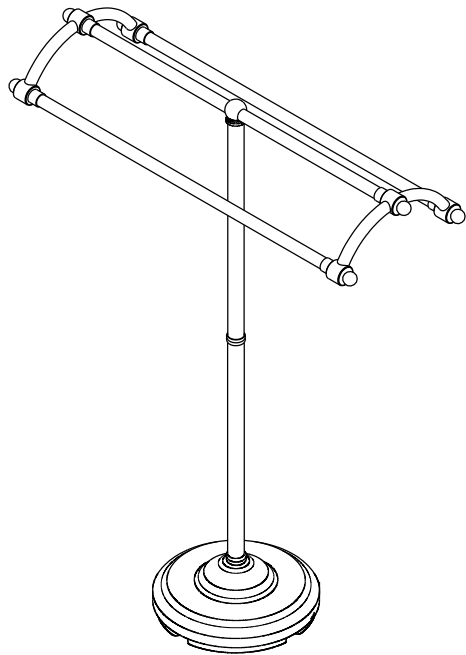


## Pedestal Towel Rack Installation

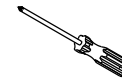


### Parts:

Bolt			Sift Head	Screw	Escutcheon Ring	Spring Washer
1	2	3	4	5	6	7
# 2	# 7	# 9	# 1	# 12	# 10	# 4
6 Pcs	1 Pc	1 Pc	6 Pcs	1 Pc	2 Pcs	2 Pcs

www.kingstonbrass.com  
TOLL-FREE CUSTOMER SERVICE: 1-877-2-KBRASS  
TECHNICAL SUPPORT E-mail: service@kingstonbrass.com  
12775 Reservoir Street, Chino, CA91710

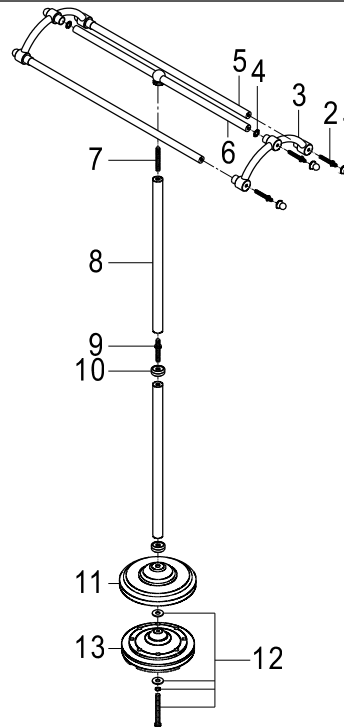
## TOOLS REQUIRED



Phillips Screwdriver



Allen Wrench



### Rack Assembly:

Locate the two curved rack pieces (#3) and the 3 long rods(#5, #6) needed to begin the installation. With one curved rack piece, attach the outer rod using the long bolts (#2). Secure the middle rod (#6) using the long bolts and two spring washers(#4) on both sides and. Repeat the same steps with the remaining rod. Cover the exposed bolt ends with the provided sift heads (#1).

### Base Assembly:

Next, locate the base (#13), screw set (#12), base plate (#11), and two short rods (#8). Place the base on a flat surface and insert the screw and washer (#12) from the bottom. After the screw has been inserted through the base, place another washer from the top. Then slide the base plate (#11) on to the screw and base. When secure, secure an escutcheon ring (#10) on to the screw and secure the first short rod. Then secure another escutcheon ring (#10) then with the short plated bolt (#9). Secure the last short rod to the bolt (#8).

### Completing Installation:

Attach the non-plated bolt (#7) to the base assembly and gently thread the rack assembly onto the base by rotating in a clockwise direction while keeping the base secure. Ensure all bolts are tight before use.

### Cleaning

Clean with a damp cloth only.  
Avoid using metal or abrasive polishes.