

GENERAL

1. To insure the success of this fixture installation, the following instructions and diagrams should be read and understood. All electrical connections must be made in accordance with the National Electric Code and local codes and ordinances. If you are uncertain of the methods of installing electrical wiring and lighting fixtures, secure the services of a qualified, licensed electrician.

2. **TOOLS NEEDED:** Blade screwdriver, slip joint pliers, wire cutter/stripper, electrical current tester, SHARP utility or craft knife, stepladder & plastic electrical tape.

NOTE: The important safeguards and instructions outlined on this sheet are not meant to cover all possible conditions and situations that may occur. It must be understood that common sense, caution and care are factors that cannot be built into any product. Caution and care must be supplied by the person(s) installing operating and caring for this fixture

INSTALLATION PREPARATION

1. **TURN OFF THE ENTIRE ELECTRICAL CIRCUIT TO WHICH THE LIGHTING FIXTURE IS TO BE ATTACHED.** Move the appropriate circuit breaker to the "OFF" position or completely remove the fuse controlling the circuit.

2. If an existing fixture is being replaced, remove it and note to which of the wires in the mounting box the fixture was attached. **DO NOT SEPARATE ANY OTHER WIRES THAT MAY BE IN THE BOX. TAKE CARE NOT TO DAMAGE THE INSULATION OF OLDER WIRING.** In regular circumstances the **BLACK** wire will be the "Hot:" lead and the **WHITE** wire will be the "Neutral" or "Common" lead. A **GREEN** or **BARE COPPER** wire is the ground. In older buildings it is always good practice to reconfirm the polarity of the wiring

3. This fixture is designed to be mounted on a standard round or octagon box. The box must be securely mounted to the structure of the building.

FIXTURE ASSEMBLY - PENDANT CORDS

1. Remove fixture, glass and parts bag from carton. Before discarding carton, double check to make sure that all parts are found.

The pendant cords can be used at any length desired. **IMPORTANT NOTE:** If the cord is shortened the following procedures **MUST** be followed! **THESE PROCEDURE MUST BE DONE VERY CAREFULLY !**

2. To determine the length of cord needed. Attach the glass to holder and hold cord up to ceiling. Mark cord where it touches ceiling with pen or pencil. Remove glass.

3. At the mark on the cord, wrap cord with 1 1/2 tight wraps of electrical or cellophane tape. Tape should be above the mark, toward the end of the wire, as shown. The tape will prevent the braid from fraying. However too much tape will prevent the cord from slipping through the canopy nipple.

4. Cut off the excess cord 6" ABOVE the tape.

5. Starting at the edge of the tape, slit the braid and cord casing lengthwise using a **VERY SHARP UTILITY OR CRAFT KNIFE**, as shown.

Be careful not to cut into the 3 small inside wires ! **DO NOT CUT THE BRAID AND CASING CROSSWISE !**

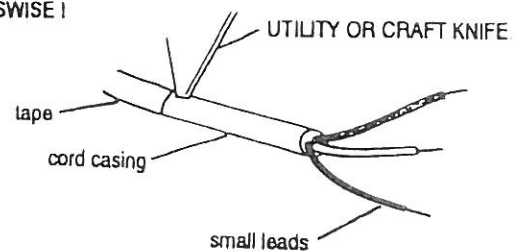
6. Twist and peel braid and casing away from 3 small inside wires and trim as shown.

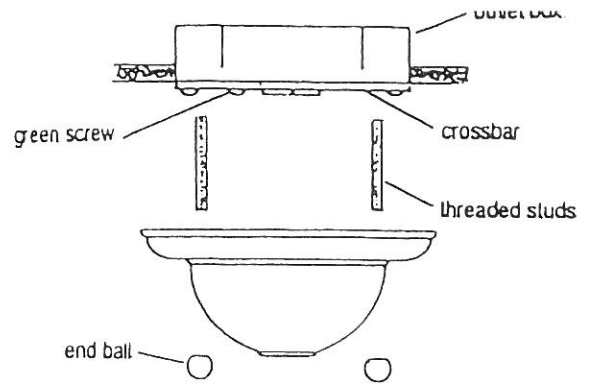
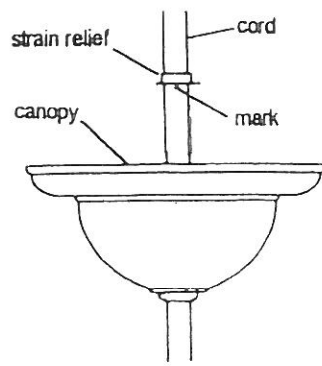
7. Using wire strippers, remove 1/2" of insulation from the end of each of the 3 small leads. Twist the copper strands to make final connections easier.

8. Mark cord a second time 2" below the tape.

9. Slip canopy onto cord. If the exact length of the cord is not critical simply knot the cord as close to the mark as convenient.

If the exact length of the cord is critical, the clamp on strain relief should be used. Using pliers, tightly clamp the strain relief onto the cord so that the large edge of the strain relief touches the mark as shown. (In the event that the pendant length must be changed, an additional strain relief clamp is supplied).

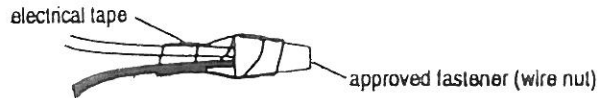




10. Install crossbar onto junction box, as shown. Start studs into crossbar, as shown.

11. Fasten the green wire of the cord to the green or bare copper wire in the box with an approved fastener (wire nut), or fasten to the crossbar with the green screw provided. **WARNING ! NEVER FASTEN THE GROUND WIRE TO THE BLACK OR "HOT" WIRE ! FAILURE TO FOLLOW THIS INSTRUCTION COULD RESULT IN SERIOUS INJURY OR DEATH !**

12. Connect the black wire of the cord to the black wire in the box. Fasten the wires together with approved fastener (wire nut). Starting about 1" below fastener, tightly wrap connection with electrical tape so that tape seals the end of the fastener. Make sure that there is no exposed wire that could cause a dangerous short circuit !



13. Connect the white wire of the cord to the white wire in the box. Join as in step 11.

14. Slip the canopy over the studs in the crossbar. Thread endballs onto studs to secure canopy to box and ceiling

15. Install glass shade.

16. Install lamp (light bulb) in fixture. This fixture is rated for A or G type lamp (depending on glass shade) 75 watt maximum. **DO NOT EXCEED RECOMMENDED WATTAGE !**

17. Restore power to circuit at breaker or fuse box