

SEMI-FLUSH FIXTURE INSTALLATION INSTRUCTIONS

GENERAL

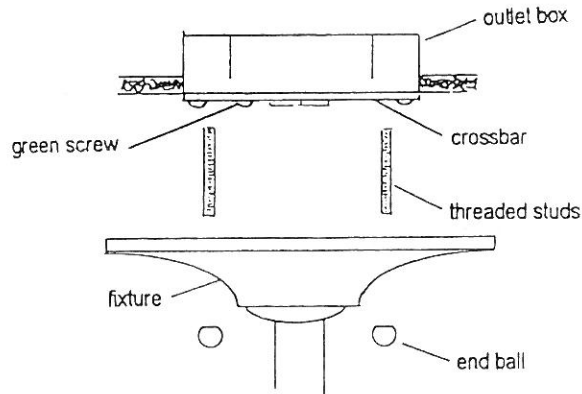
1. To insure the success of the fixture installation, the following instructions and diagram(s) should be read and understood. All electrical connections must be made in accordance with the National Electric Code and local codes and ordinances. If you are uncertain of the methods of installing electrical wiring and lighting fixtures secure the services of a qualified, licensed electrician.
2. **TOOLS NEEDED:** Blade screwdriver, slip joint pliers, wire cutter/stripper, electrical current tester, stepladder, & plastic or rubber electrical tape
NOTE: The important safeguards and instructions outlined on this sheet are not meant to cover all possible conditions and situations that may occur. It must be understood that common sense, caution and care are factors that cannot be built into any product. Caution and care must be supplied by the person(s) installing, operating and caring for this lighting fixture.

INSTALLATION PREPARATION

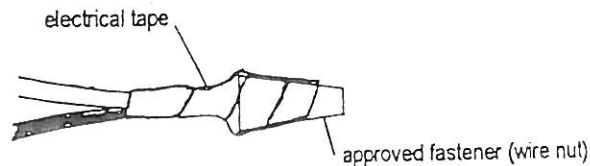
1. **TURN OFF THE ENTIRE ELECTRICAL CIRCUIT TO WHICH THE LIGHTING FIXTURE IS TO BE ATTACHED.** Move the appropriate circuit breaker to the "OFF" position or completely remove the fuse controlling the circuit.
2. If an existing fixture is being replaced, remove it and note to which of the wires in the mounting box the fixture was attached. **DO NOT SEPARATE ANY OTHER WIRES THAT MAY BE IN THE BOX. DO NOT DAMAGE THE INSULATION OF OLDER WIRING.** In regular circumstances the **BLACK** wire will be the "Hot" lead and the **WHITE** wire will be the "Neutral" or "Common" lead. A **GREEN** or **BARE COPPER** wire is the "Ground". In older buildings it is always good practice to reconfirm the polarity of the wiring.
3. This fixture is designed to be mounted on a standard round or octagon box. The box must be securely mounted to the structure of the building.

FIXTURE PREPARATION

1. Remove fixture and parts bag(s) from carton. Before discarding carton, double check packing to make certain that all parts are found
2. Assemble the fixture (less glass, shades and/or trimmings)
3. Attach the crossbar to the outlet box



4. Start the threaded studs into the crossbar.
5. Fasten the bare copper (or silver, depending on fixture finish), fixture wire to the green or bare copper wire in the box or fasten to the crossbar with the green screw provided. **WARNING! NEVER FASTEN THE GROUND WIRE TO THE BLACK OR "HOT" WIRE!**
FAILURE TO FOLLOW THIS INSTRUCTION COULD RESULT IN SERIOUS INJURY OR DEATH!
6. Depending on the fixture, it may have a black and a white lead or it may have leads similar to those found on lamps and extension cords. If the fixture has more than one socket it may have a pair of wires for each socket. Fasten the white wire(s) to the white wire in the box OR separate the double wire sets, and connect the wires with the small marker ridge to the white wire in the box. Fasten the wires together with an approved fastener (wire nut). Starting about 1" below the fastener, tightly wrap connection with electrical tape so that the tape seals the end of the fastener. Make sure that there is no exposed wire or strands that could cause a dangerous short circuit!



7. Connect the other wires from the fixture to the remaining wire in the box. Fasten the joined wires as in step 6.
8. Slip the fixture onto the studs and fasten in place with the end ball nuts.
9. Install the glass shades to complete the fixture. (NOTE: some fixture styles require that you install the lamps before install the glass)
10. Install the lamps in the fixture. NOTE: Use only the type of lamps recommended and **DO NOT EXCEED RECOMMENDED WATTAGE!**
11. Restore power to circuit at breaker or fuse box.