

# OMNI

Bulbs: 60W G9

Replacement Parts: GLASS: R47200GL, T47200BLSH

FR47204, 47206, 47208, 47209PNI

## ASSEMBLY INSTRUCTIONS

The construction of this fixture will be accomplished by first assembling the main body of the fixture, making all necessary electrical connections, hanging the fixture from the ceiling and then installing the fixture shade.

**SAFETY WARNING:** Read wiring and grounding instructions [FRIS 18] and any additional directions. Turn power supply off during installation. If new wiring is required, consult a qualified electrician or local authorities for code requirements.

### STEP 1

- 1 To assembly center column, first slip center tubing (2) along wire and thread into coupler (1), located on the top of the center body (CB).
- 2 Slip square center tube (3) over center tubing (2), making sure it is seated over small raised block located on the top of the center body (CB).
- 3 Thread coupler (A) onto end of center tubing (2) and tighten to secure assembly.
- 4 Fixture body is complete.

### STEP 2

Note: It will be necessary to determine the length of rods you will require to hang your fixture at the desired height. After this has been established, please follow the instructions below.

- 1 Assemble the rods (b) by slipping them into the wire. Thread the first rod into the coupler (a) located at the top of the fixture - See Drawing 1.
- 2 Continue adding rods (b) until desired length has been reached.

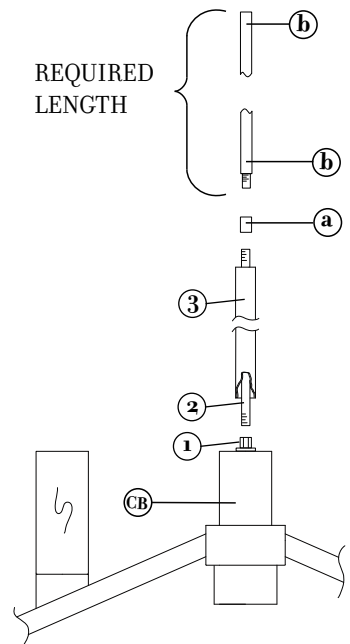
**STEP 3** Refer to Hanging Instruction Sheet [FRIS19-81] to hang fixture. Then refer back to this sheet to continue fixture installation.

### STEP 4

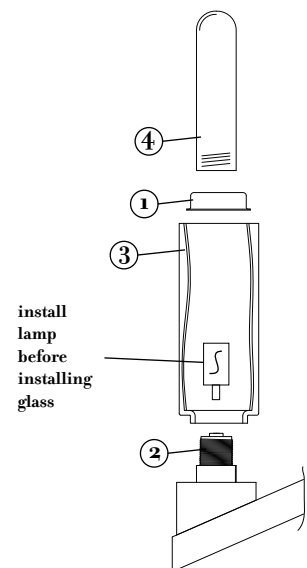
**Note:** Fixture should be lamped accordingly at this point before proceeding.

- 1 To install glass slip glass (3) over socket (2) - see Drawing 2
- 2 Slip spacer (1) over socket (2).
- 3 Fixture can be lamped at this time with G-9 bulbs supplied.
- 4 Thread bulb shield (4) onto socket (2) and hand tighten only to secure glass.
- 5 Repeat for remaining pieces of glass.

[DRAWING 1]



[DRAWING 2]



FREDRICK RAMOND

ESTABLISHED 1965

800.421.3517 WWW.FREDRICKRAMOND.COM

01.01.12

# FRIS19-81

**SAFETY WARNING:** Read wiring and grounding instructions [FRIS 18] and any additional directions. Turn power supply off during installation. If new wiring is required, consult a qualified electrician or local authorities for code requirements.

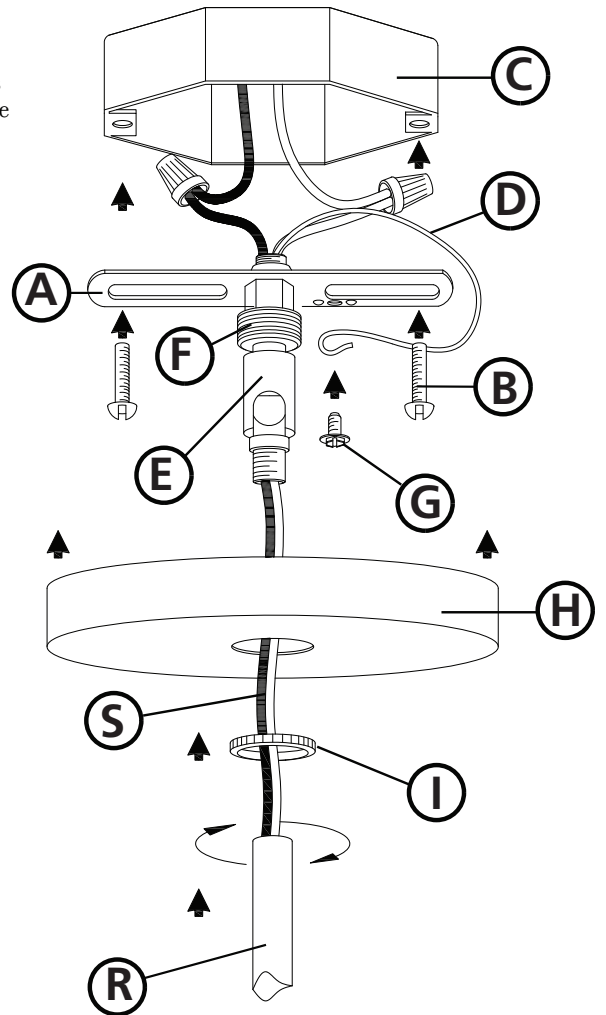
## STEP 1

1. Shut off electrical current before starting. If the fixture you are replacing is turned on and off by a wall switch, simply turn the switch off. If not, remove the appropriate fuse (or open the circuit breakers) until the fixture is dead.

DO NOT restore current - either by fuse, breaker or switch - until the new fixture is completely wired and in place.

## STEP 2

1. In the following order : take retainer ring (L) , canopy (H) and slide them over the stems (R) attached previously.
2. Thread supply wires (S) through center of swivel (E) that is attached to mounting strap (A).
3. Slide swivel with mounting strap along wire and thread end of swivel into top of stems (R).
4. Lift fixture and attach mounting strap (A) to junction box (C) using 2-8/32 screws (B).
5. Make all necessary electrical connections following instruction sheet (IS-18) provided. Ground wire (D) can be attached to mounting strap (A) using green ground screw (G).
6. Slip canopy (H) up along rods (R) and over mounting strap with swivel and hold in position.
7. Slip retainer ring (I) up to canopy and thread onto coupler (F), to secure canopy.
8. Return to assembly instructions to complete fixture construction.



FREDRICK RAMOND  
ESTABLISHED 1965

800.421.3517 WWW.FREDRICKRAMOND.COM

6.12.08

# FRIS18

## WIRING AND GROUNDING INSTRUCTIONS

**SAFETY WARNING:** Read wiring and grounding instructions [FRIS 18] and any additional directions. Turn power supply off during installation. If new wiring is required, consult a qualified electrician or local authorities for code requirements.

### STEP 1 WIRING INSTRUCTIONS

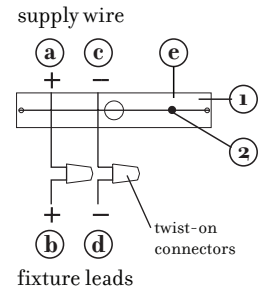
#### Indoor Fixtures

- 1 Connect positive supply wire (a) (typically black or the smooth, unmarked side of the two-conductor cord) to positive fixture lead (b) with appropriately sized twist on connector - See Drawings 1 or 2.
- 2 Connect negative supply wire (c) (typically white or the ribbed, marked side of the two-conductor cord) to negative fixture lead (d).
- 3 Please refer to the grounding instructions below to complete all electrical connections.

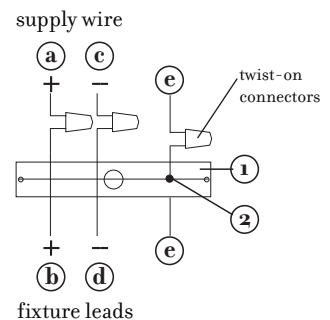
#### Outdoor Fixtures

- 1 Connect positive supply wire (a) (typically black or the smooth unmarked side of the two-conductor cord) to positive fixture lead (b) with appropriately sized twist on connector - See Drawings 2 or 3.
- 2 Connect negative supply wire (c) (typically white or the ribbed, marked side of the two-conductor cord) to negative fixture lead (d).
- 3 Cover open end of connectors with silicone sealant to form a watertight seal.
  - If installing a wall mount fixture, use caulk to seal gaps between the fixture mounting plate (backplate) and the wall. This will help prevent water from entering the outlet box. If the wall surface is lap siding, use caulk and a fixture mounting platform specially.
- 4 Please refer to the grounding instructions below to complete all electrical connections.

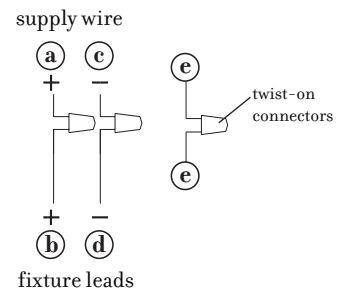
[DRAWING 1]



[DRAWING 2]



[DRAWING 3]



### STEP 2 GROUNDING INSTRUCTIONS

#### Flush Mount Fixtures

For positive grounding in a 3-wire electrical system, fasten the fixture ground wire (e) (typically copper or green plastic coated) to the fixture mounting strap (1) with the ground screw (2) - See Drawing 1.

Note: On straps for screw supported fixtures, first install the two mounting screws in strap.

Any remaining tapped hole may be used for the ground screw.

#### Chain Hung Fixtures

Loop fixture ground wire (e) (typically copper or green plastic coated) under the head of the ground screw (2) on fixture mounting strap (1) and connect to the loose end of the fixture ground wire directly to the ground wire of the building system with appropriately sized twist-on connectors - See Drawing 2.

#### Post-Mount Fixtures

Connect fixture ground wire (e) (typically copper or green plastic coated) to power supply ground with appropriately sized twist-on connector inside post. Cover open end of connector with silicone sealant to form a watertight seal - See Drawing 3.



FREDRICK RAMOND  
ESTABLISHED 1965