

BENTLEY

FR44502BBZ

Bulbs: 60W CAND. Replacement Parts: SHADE : R44500SH CRYSTAL: R44500CRY

ASSEMBLY INSTRUCTIONS

Assembly of this fixture will be accomplished by first installing the mounting strap to the junction box, making all necessary electrical connections, mounting the fixture to the wall attaching the crystals, installing the candle sleeve and then attaching the shade.

SAFETY WARNING: Read wiring and grounding instructions [FRIS 18] and any additional directions. Turn power supply off during installation. If new wiring is required, consult a qualified electrician or local authorities for code requirements.

STEP 1

- 1 Prepare mounting strap (a) by threading nipple into the center hole of the mounting strap (a), approximately 1/4" - see Drawing 2.
- 2 Attach mounting strap (a) to junction box (j) using two screws (b) provided.

STEP 2 Make electrical connections from supply wire to fixture lead wires. Refer to instruction sheet (I.S. 18) and follow all instructions to make all necessary wiring connections. Then refer back to this sheet to continue installation of this fixture.

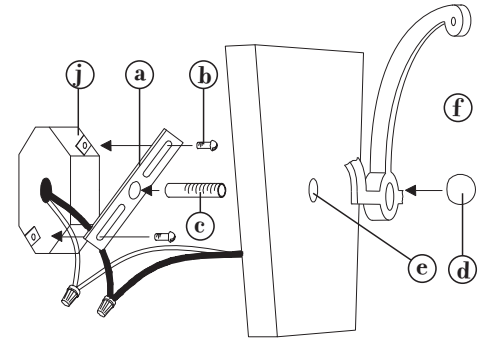
STEP 3

- 1 To mount backplate to wall, slip center hole of backplate (e) over nipple (c) and hold fixture in position - see Drawing 2.
- 2 Slip spider assembly (f) over nipple (c) and hold in position.
- 3 Thread decorative knob (d) onto end of nipple (c) and tighten to secure fixture.

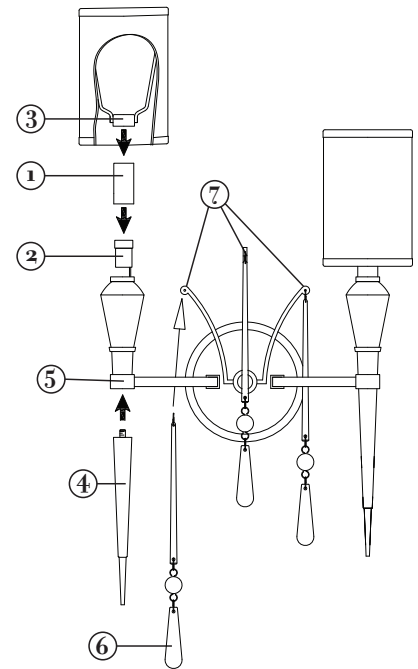
STEP 4

- 1 Slip candle sleeve (1) over socket (2) - see Drawing 2.
- 2 Slip shade cup (3) onto top of candle sleeve (2).
- 3 Thread tail (4) onto bottom of arm assembly (5).
- 4 Attach crystal pendalogs (6) to end of arms (7).
- 5 Fixture can now be lamped accordingly.

[DRAWING 1]



[DRAWING 2]



crystal 6
R44500CRY



FREDRICK RAMOND
ESTABLISHED 1965

800.421.3517 WWW.FREDRICKRAMOND.COM

01.01.11