

ALEXANDRA



FR43622PNI

Bulbs: 60W CANDELABRA Crystals: R43620CRY-E, R43622CRY-B, R43622CRY-A,
R43620CRY-F, R43620CRY-G

ASSEMBLY INSTRUCTIONS

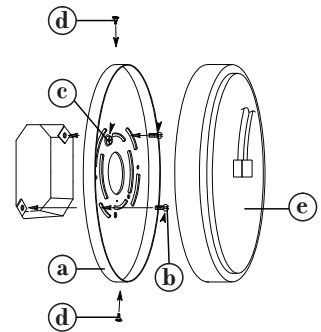
Assembly of this fixture will be accomplished by first installing the mounting strap to the junction box, making all necessary electrical connections, mounting the fixture to the wall and then installing the crystals.

SAFETY WARNING: Read wiring and grounding instructions [FRIS 18] and any additional directions. Turn power supply off during installation. If new wiring is required, consult a qualified electrician or local authorities for code requirements.

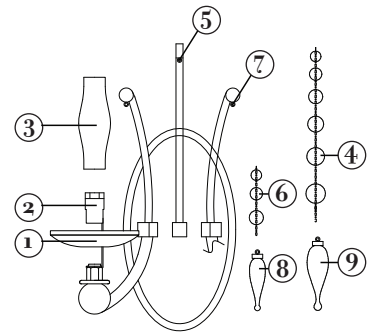
STEP 1

- 1 Remove mounting plate (a) from fixture back plate (e) by removing the 4 flat head screws (d) - See Drawing 1.
- 2 Take main mounting plate (a) and slide the wires from the junction box through the large center hole. Line up the curved slots (c) with the threaded holes in the junction box. Using two 8-32 screws (b) and attach the main mounting plate to the junction box. Making sure mounting plate is 90 degrees to the ceiling line.
Caution: make sure all electrical power is shut off to the junction box you are working with prior to proceeding with these instructions.
- 3 Make electrical connections from supply wire to fixture lead wires. Refer to instruction sheet [FRIS18] and follow all instructions to make all necessary wiring connections. Then refer back to this sheet to continue installation of this fixture.
- 4 Mount the fixture by sliding the back plate (d) over mounting plate (a). Attach the back plate to the fixture using the screws (d) that were removed in step 1.

[DRAWING 1]



[DRAWING 2]



STEP 2

- 1 Slip crystal bobesche (1) over candle socket (2) - see Drawing 2.
- 2 Slip candle sleeve (3) over socket (2) and into center hole of bobesche (1).
- 3 Fixture can now be lamped accordingly.
- 4 Hang the longest crystal strand (4) off the center arm (5).
- 5 Hang the two short crystal strand (6) on the outside arms (7).
- 6 Hang the large crystal drop (8) from the bottom of the long crystal strand (4).
- 7 Hang the small crystal drop (9) from the bottom of the short crystal strand (6).

crystal 1
R43620CRY-E



crystal 4
R43622CRY-B



crystal 6
R43622CRY-A



crystal 8
R43620CRY-G



crystal 9
R43620CRY-F



FREDRICK RAMOND
ESTABLISHED 1965

800.421.3517 WWW.FREDRICKRAMOND.COM

5.25.10