

# KINGSLEY

FR42724SLF

Bulbs: 75W MED.



## ASSEMBLY INSTRUCTIONS

Assembly of this fixture will be accomplished by first attaching the loop to the fixture, installing the mounting hardware to the junction box, mounting the fixture to the ceiling, installing the glass and then completing assembly.

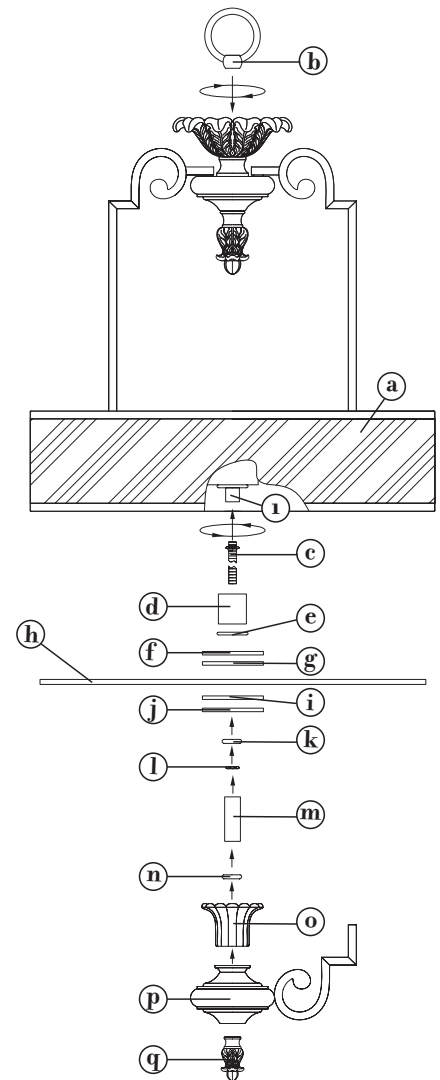
**SAFETY WARNING:** Read wiring and grounding instructions [FRIS 18] and any additional directions. Turn power supply off during installation. If new wiring is required, consult a qualified electrician or local authorities for code requirements.

**STEP 1** Refer to Hanging Instruction Sheet [FRIS19] to hang fixture.

### STEP 2

- 1 Slip loop (b) along wire and thread onto top of main fixture body (a).
- 2 Thread center tube (c) into coupler (1).
- 3 Slip short tubing (d) over center tube (c), followed by checkring (e) and hold in position.
- 4 Slip metal washer (f) followed by rubber washer (g) onto center tube (c), friction from rubber washer will hold parts in position.
- 5 Slip glass (h) onto center tube (c) and hold in position.
- 6 Slip rubber washer (i) followed by metal washer (j) onto center tube (c) and hold in position.
- 7 Slip checkring (k) onto center tube (c) and hold in position. Now thread hex nut (l) onto center tube and tighten to secure glass.
- 8 Slip long tubing (m) over center tube (c) followed by checkring (n) and hold in position.
- 9 Slip glass bobesche (o) over long tubing (m) and hold parts in position.
- 10 Slip decorative assembly (p) onto center stem (c). Making sure to line up uprights on decorative assembly (p) with uprights on main body (a).
- 11 Thread decorative knob (q) and tighten to secure assembly. Note: hand-tighten only. Over tightening could cause damage to glass.

[DRAWING 1]



FREDRICK RAMOND  
ESTABLISHED 1965

800.421.3517 WWW.FREDRICKRAMOND.COM

6.22.09