

KINGSLEY

FR42720SLF



Bulbs: 75W MED.

ASSEMBLY INSTRUCTIONS

Assembly of this fixture will be accomplished by first installing the mounting strap to the junction box, making all necessary electrical connections, mounting the fixture to the wall and then installing the glass and shade.

SAFETY WARNING: Read wiring and grounding instructions [FRIS 18] and any additional directions. Turn power supply off during installation. If new wiring is required, consult a qualified electrician or local authorities for code requirements.

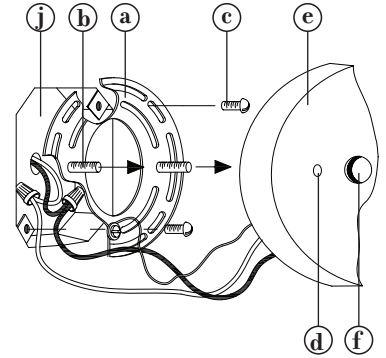
STEP 1

- 1 Prepare mounting strap (a) by threading mounting screws (b) into the back of the mounting strap (a), making sure the holes into which the screws are threaded match the spacing of holes (d) in the backplate (e) - See Drawing 1.
- 2 Attach mounting strap (a) to junction box (j) using two longest mounting screws (c).
- 3 Make electrical connections from supply wire to fixture lead wires. Refer to instruction sheet [FRIS18] and follow all instructions to make all necessary wiring connections. Then refer back to this sheet to continue installation of this fixture.
- 4 To mount fixture, slip the two mounting screws (b) through the two mounting holes (d) in the backplate (e).
- 5 While holding fixture in place, thread the two ball knobs (f) on to the end of the mounting screws (b), and tighten.

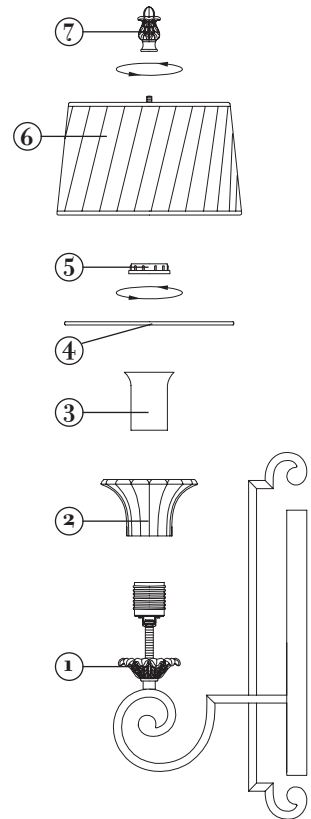
STEP 2

- 1 To install glass, slip glass bobesche (2) over socket (1) - See Drawing 2
- 2 Slip cover sleeve (3) over socket (1) and into glass bobesche (1).
- 3 Slip center hole of glass lens (4) over socket (1).
- 4 Thread socket ring (5) onto socket (1) to secure parts (2, 3 and 4). Hand-tighten only, over tightening could damage the glass lens (4).
- 5 Fixture can now be lamped accordingly.
- 6 Clip shade (6) onto lamp.
- 7 Thread shade finial (7) onto top of shade (6).

[DRAWING 1]



[DRAWING 2]



FREDRICK RAMOND
ESTABLISHED 1965

800.421.3517 WWW.FREDRICKRAMOND.COM

6.1.09